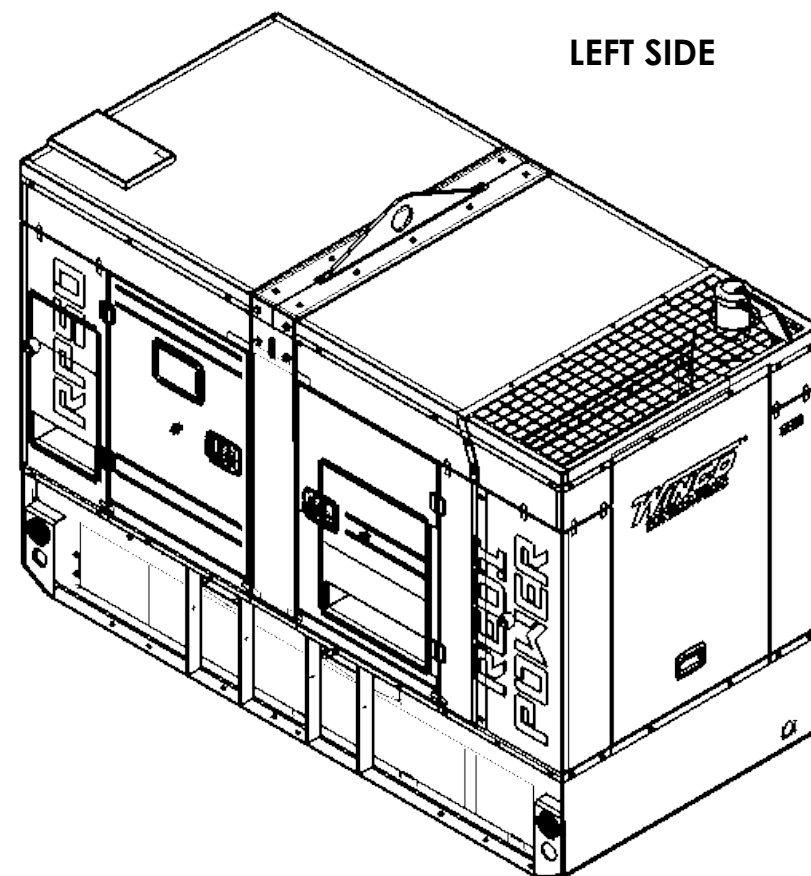
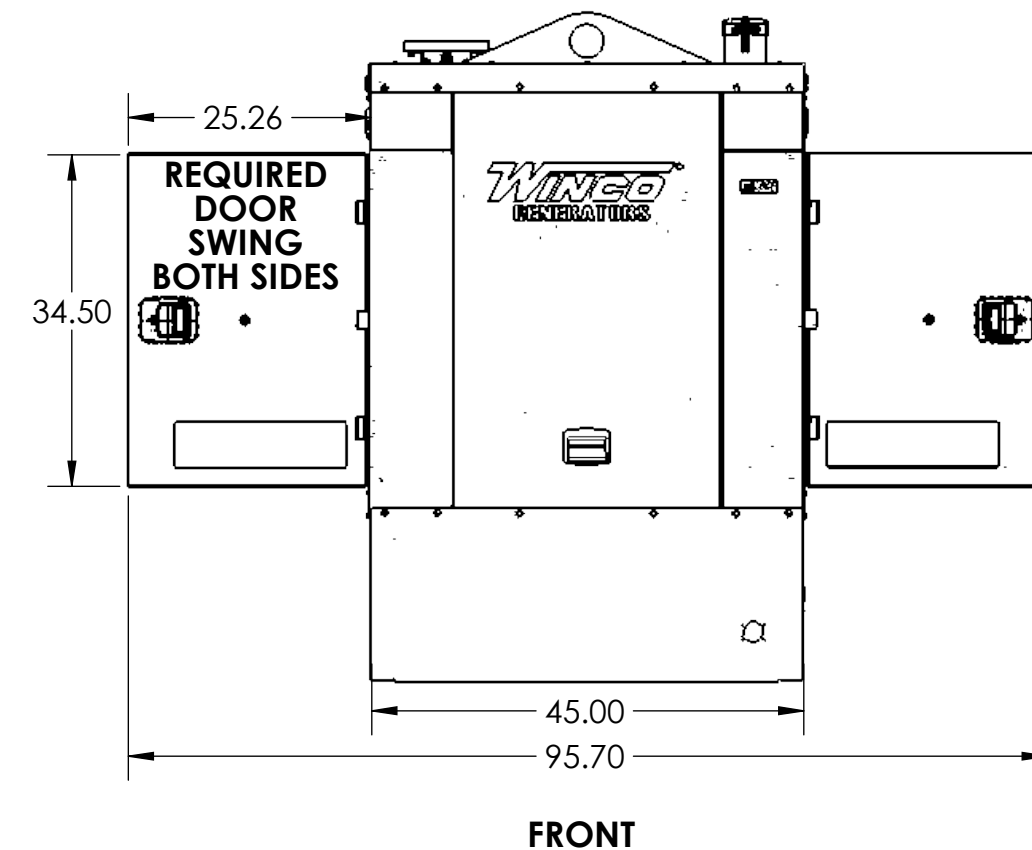
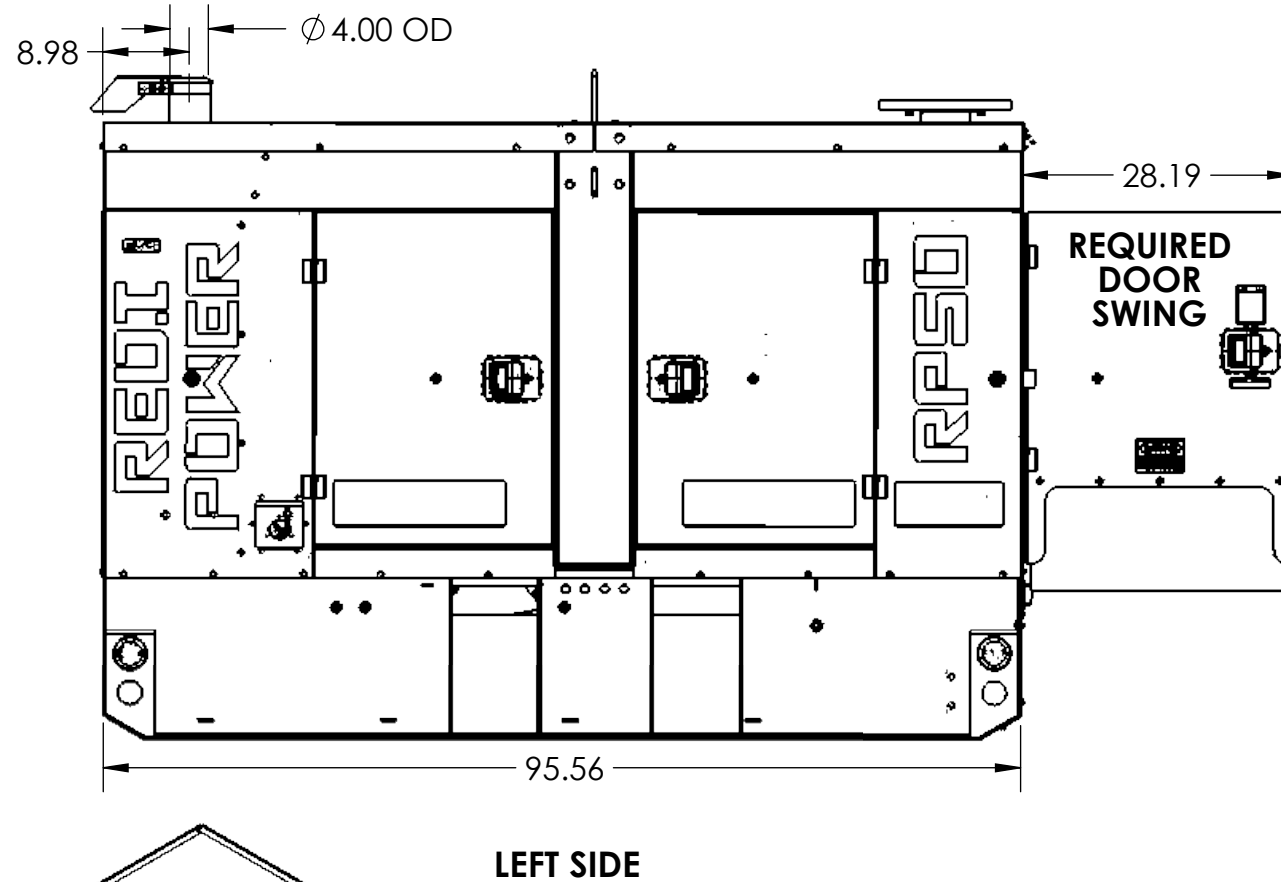
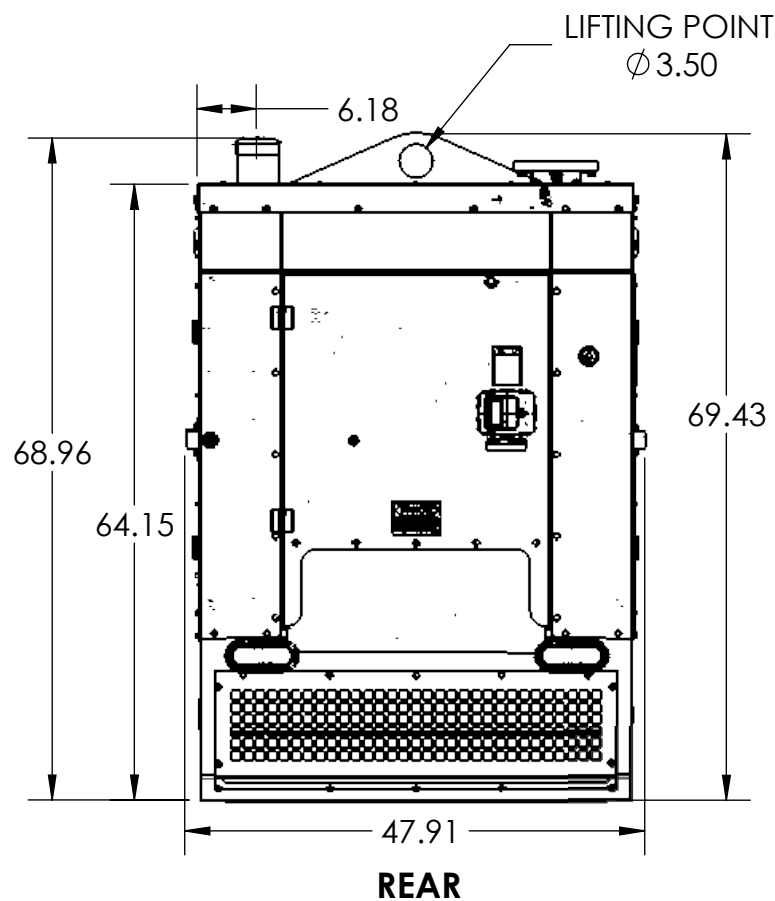




O-537

REVISIONS					
REV.	IRN	DESCRIPTION	DATE	BY	APP'D
A	RP50	UPDATED OUTLINE DRAWING STANDARDS	5/3/2021	MCB	DRC



APPROX. WEIGHT: 4150 LBS
95 GAL TANK

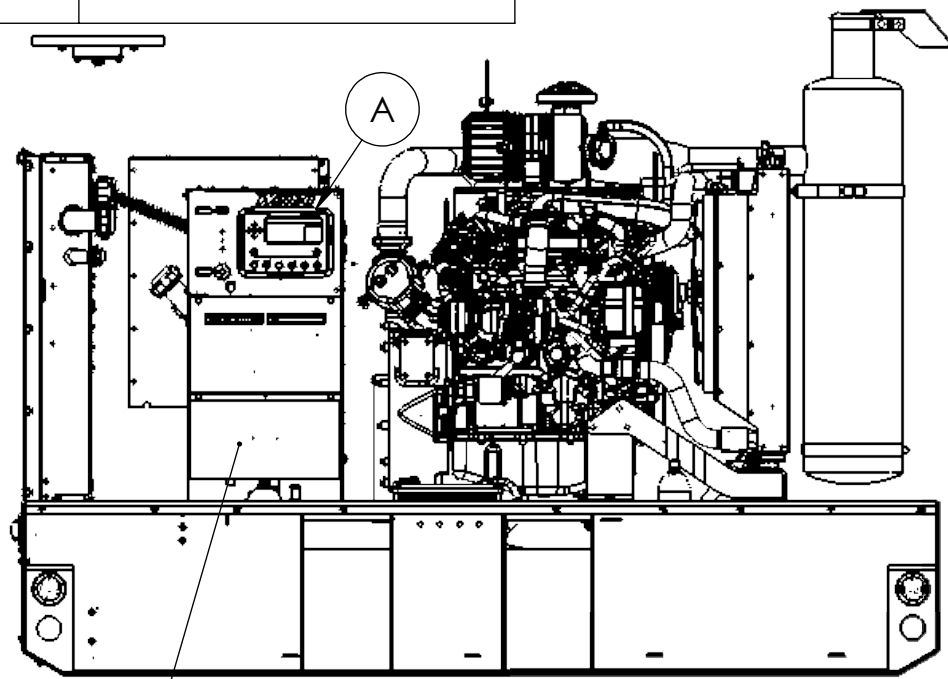
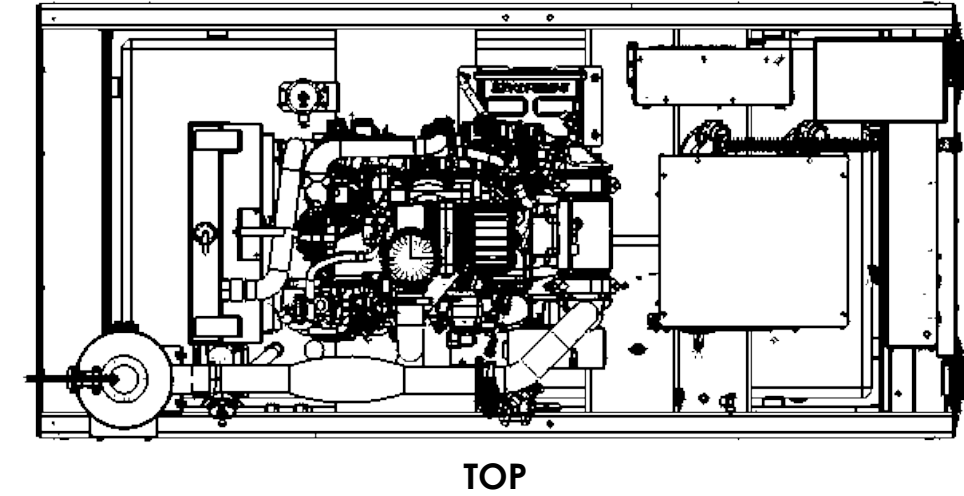
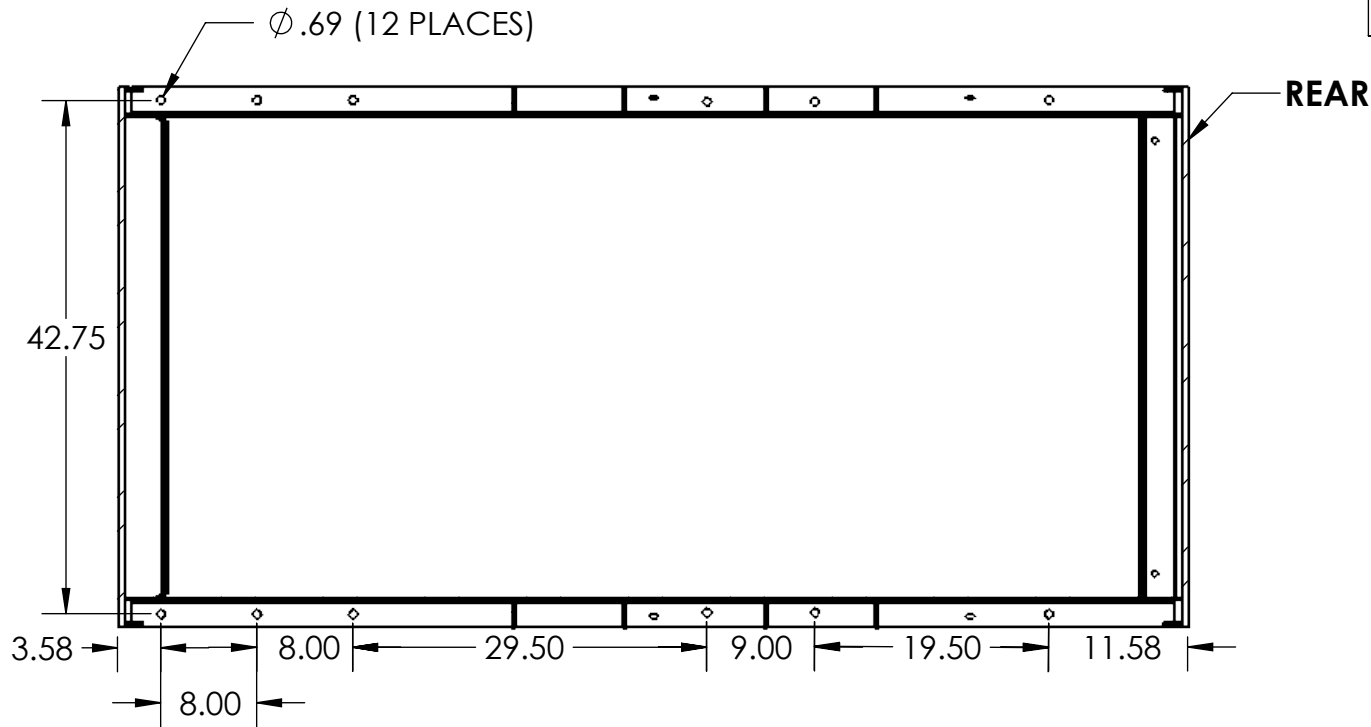
 THIS DRAWING CONTAINS PROPRIETARY INFORMATION BELONGING TO WINCO. UNAUTHORIZED USE IS PROHIBITED. ALL DIMENSIONS INCH	DRAWN BY	DATE	CHK'D BY	DATE	ENG APPR.	DATE
	PAK	11/24/2020	---	--/--/---	PAK	07/23/2020
	TOLERANCE:	+/- 0.0625 DECIMAL		TITLE:		
	MODEL:	+/- 1 DEG ANGULAR		OUTLINE DRAWING		
	RP50 OPEN SKID	PART:		O-537	1 of 2	
						

Ø39-O

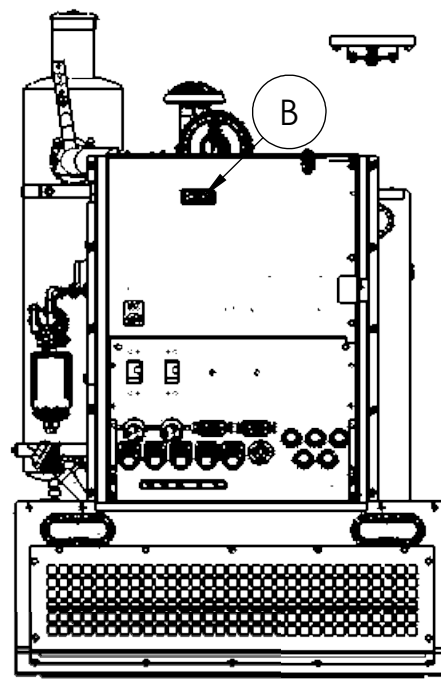
TOP VIEW HOLE PATTERN

REVISIONS					
REV.	IRN	DESCRIPTION	DATE	BY	APP'D
A	RP50	UPDATED OUTLINE DRAWING STANDARDS	5/3/2021	MCB	DRC

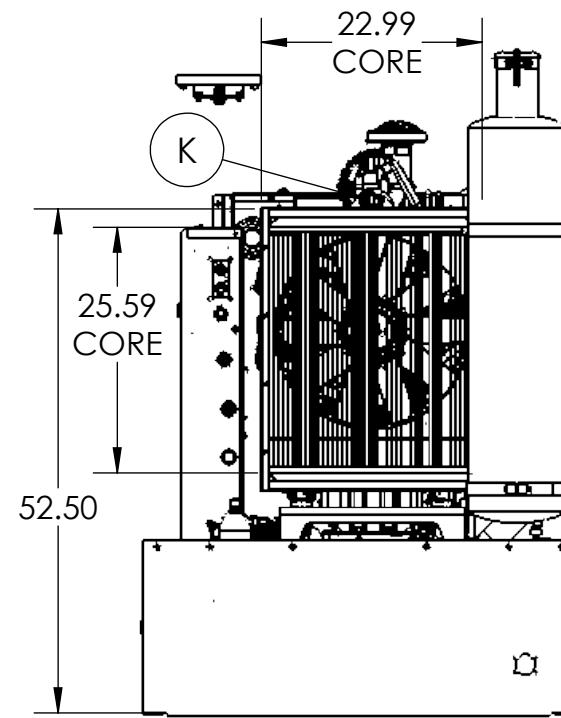
KEY COMPONENTS	
A	ENGINE CONTROL
B	MAIN LINE CIRCUIT BREAKER
C	OIL FILL
D	OIL DRAIN
E	OIL DIPSTICK
F	OIL FILTER
G	FUEL FILTER
H	FUEL INLET
I	AIR FILTER
J	COOLANT DRAIN
K	COOLANT FILL
L	AVR
M	BATTERY CHARGER
O	BATTERY
P	SOLAR BATTERY CHARGER



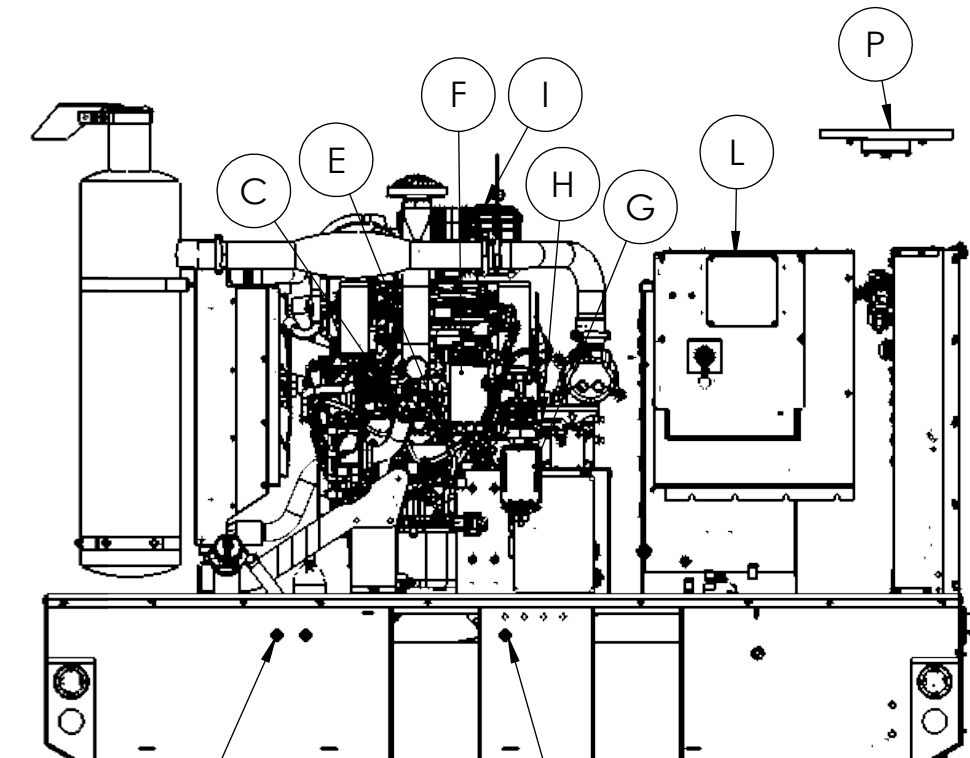
RIGHT SIDE



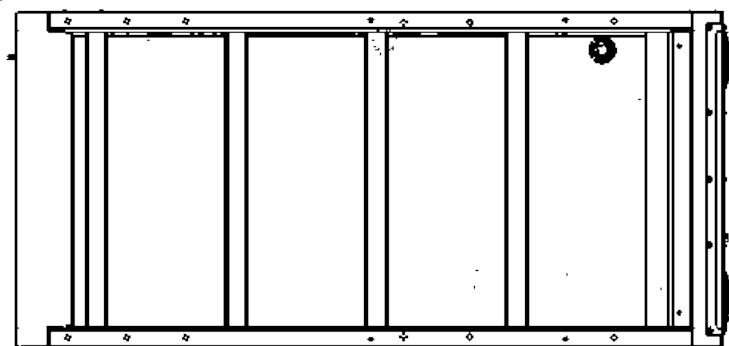
REAR



FRONT



LEFT SIDE



BOTTOM

3/8 FUEL HOSE

<p>THIS DRAWING CONTAINS PROPRIETARY INFORMATION BELONGING TO WINCO. UNAUTHORIZED USE IS PROHIBITED.</p> <p>ALL DIMESNIONS INCH</p>	DRAWN BY	DATE	CHK'D BY	DATE	ENG APPR.	DATE
	TDS	12/10/2019			PAK	07/23/2020
	TOLERANCE:	+/- 0.0625 DECIMAL		+/- 1 DEG ANGULAR		TITLE:
	MODEL:	RP50 OPEN SKID		OUTLINE DRAWING		
			PART:	O-537	2 of 2	