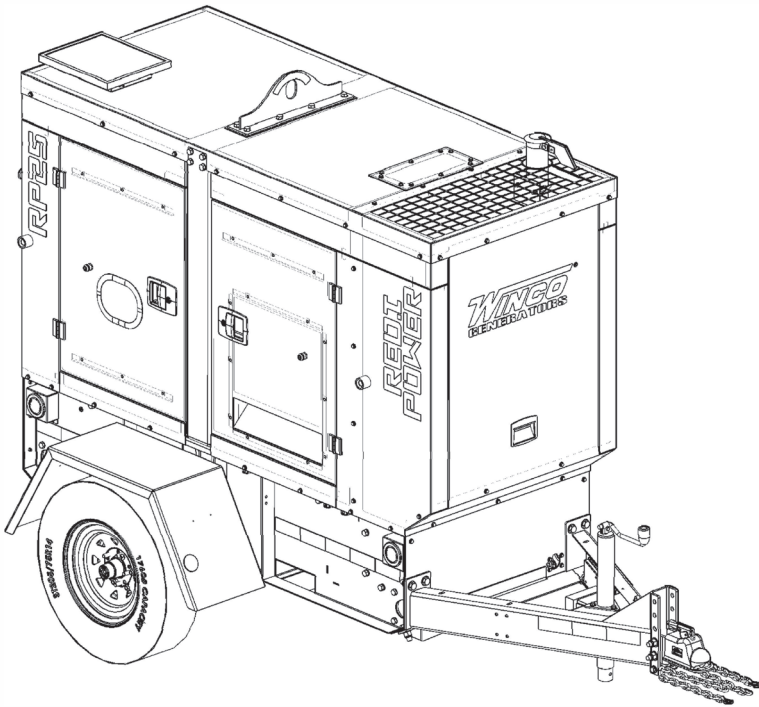


RP2514



Designed, engineered, and manufactured in our facility located in Le Center, Minnesota, equipped with modern engineering, fabrication and assembly capabilities.

Switchable Voltage Option

Easily switch from single phase to three phase.

Oil Field Skid

Ready to work with its rugged design.

Cam-Lock Receptacles

Quickly connect loads without hard wiring.

ISUZU



STAMFORD

	VOLTS	POWER FACTOR	STANDBY			PRIME		
			WATTS	KVA	AMPS	WATTS	KVA	AMPS
SWITCHABLE	120/240 1-PH	1.0	22,000	22.0	91	20,000	20.0	83
	120/208 3-PH	0.8	23,000	28.75	80	21,000	26.25	73
	277/480 3-PH	0.8	23,000	28.75	34	21,000	26.25	31
DEDICATED	120/240 3-PH	0.8	23,000	28.75	69	21,000	26.25	73
	346/600 3-PH	0.8	23,000	28.75	27	21,000	26.25	25

MOTOR STARTING (CODE G)	8 HP
DBA @ 7 METERS FULL LOAD	71
TOTAL HARMONIC DISTORTION	< 5%
MAIN CIRCUIT BREAKER	100A, 600V (SHUNT)
BONDED NEUTRAL	YES
120 VOLT RECEPTACLES	(2) NEMA 5-20 20A (GFCI)
120/240 VOLT RECEPTACLES	(2) C6369 50A
BATTERY ⁽¹⁾	GROUP 24 650 CCA

BATTERY CHARGER	5 AMP GUEST SOLAR
FORKLIFT POCKETS	STANDARD
ASSEMBLED IN	USA
EPA APPROVED	TIER IV FINAL
CARB APPROVED	TIER IV FINAL
TÜV CSA CERTIFICATION	YES
UNIT WARRANTY ⁽²⁾	1 YEAR/2,000 HOURS

ENGINE

ENGINE BRAND	ISUZU
ENGINE MODEL	4LE2T
RATING	TIER IV FINAL
ENGINE STARTER	12V DC
ENGINE SPEED	1800 RPM
ENGINE CYLINDERS	4
ENGINE HP	40
FREQUENCY	60 HZ
ALTERNATOR	35 AMPS 12V
FLYWHEEL	10"
ROTATION	CCW
ASPIRATION/COOLING	NATURAL
COOLANT	1.1 GAL
BORE/STROKE	85 mm x 96 mm
DISPLACEMENT/TYPE	2.2 L

LOW OIL PROTECTION	STANDARD
RECOMMENDED OIL ⁽³⁾	5W-40 SAE
OIL CAPACITY	2.75 GAL
INJECTION PUMP	BOSCH CP4.1
GOVERNOR	ELECTRONIC
COMPRESSION RATIO	17.6:1
FAN TYPE	PUSHER
INTAKE AIR CONSUMPTION	75.7 CFM
RADIATOR COOLING AIR	-
EXHAUST FLOW	189.3 CFM
EXHAUST OUTLET SIZE	-
STARTING AIDES	GLOW PLUGS
STARTING TEMP NATURAL W/ AIDES	5° F
STARTING TEMP W/BLOCK HEATER	-13° F
BATTERY CHARGER	5 AMP + SOLAR

FUEL

TYPE	ASTM D975 NO-2D DIESEL
FUEL TANK	54 GAL - 100% CONTAINMENT
FULL LOAD RUN TIME ⁽⁴⁾	25 HOURS

FUEL CONSUMPTION	GAL/HR
100%	2.1
75%	1.7
50%	1.3
25%	0.8

GENERATOR END

GENERATOR END BRAND	STAMFORD
GENERATOR END MODEL	SOL2-P
WINDING	
3-PHASE	711 - 12 LEAD
600V	-17 - 12 LEAD
VOLTAGE REGULATION	AVR +/- 1%
AVR TYPE	DSE A106
TEMPERATURE RISE	125/40°C
TYPE	REVOLVING FIELD
BRUSHLESS	YES

SPEED	1800 RPM
ROTOR	2/3 PITCH
WINDINGS	100% COPPER
STATOR WINDING	DOUBLE LAYER CONCENTRIC
COUPLING	DIRECT/FLEXIBLE DISC
BEARINGS	SINGLE (MAINTENANCE FREE)
EFFICIENCY PEAK	89 @ 3-PH
INSULATION	CLASS H
INGRESS PROTECTION	IP23

DERATES

ABOVE SEA LEVEL	
> 6,561 FT	10% EVERY 1,640 FT
> 9,842 FT	20% EVERY 1,640 FT

AMBIENT TEMPERATURE >104°F	3% EVERY 10°F
----------------------------	---------------

BLOCK HEATER

VOLTS	120
WATTS	1,500
AMPS	12.5 AMPS

THERMOSTAT	
ON	100° F
OFF	120° F



TRAILER

CAPACITY	3,500 LBS
TORFLEX AXLES	SINGLE
STANDARD HITCH SIZE	2" BALL COUPLING

HITCH HEIGHT	ADJUSTABLE
TIRES	14"
TIRE PRESSURE	50 PSI

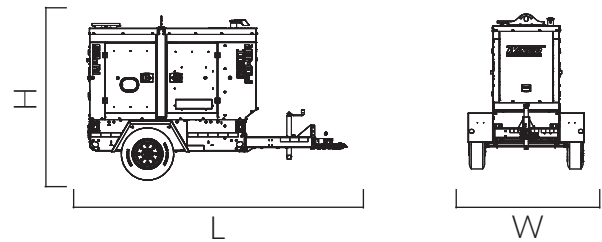
DSE 7310 MKII CONTROLLER

ENGINE DISPLAY/PROTECTION	
ENGINE RPM	YES
LOW OIL PRESSURE	YES
HIGH COOLANT TEMP	YES
LOW COOLANT	YES
OVER/UNDER SPEED	YES
OVER CRANK	YES
CAN ECU SHUTDOWN	YES
GENSET DISPLAY/PROTECTION	
VOLTAGE (L-N & L-L)	YES
OVER/UNDER VOLTAGE	YES
FREQUENCY	YES
OVER/UNDER FREQUENCY	YES
AMP DISPLAY/SHUTDOWN	YES
PHASE IMBALANCE	DISABLED
KW, KVA, KVARH DISPLAY	YES
KWH, KVAH, KVARH DISPLAY	YES
GENERATOR PHASE SEQUENCE	OPTIONAL

ADDITIONAL DISPLAYS/PROTECTIONS	
EXTERNAL E-STOP	YES
BATTERY VOLTAGE	YES
BATTERY OVER/UNDER VOLTAGE	YES
COMMUNICATIONS	
USB CONNECTABLE	YES
RS232/RS485	YES
NFPA ANNUNCIATOR	OPTIONAL
REMOTE DISPLAY PANEL	OPTIONAL
ETHERNET/MODEM	OPTIONAL
ADDITIONAL FEATURES	
AUDIBLE ALARM	YES
ENGINE EXERCISER	YES
MAINTENANCE INTERVAL TIMER	OPTIONAL
LOAD SHEDDING/DUMMY	OPTIONAL
CONFIGURABLE INPUTS	4 (EXPANDABLE)
CONFIGURABLE OUTPUTS	4 (EXPANDABLE)
EVENT LOG	250

SHIPPING

SHIPPING DIMENSIONS (L x W x H)	112" x 61" x 85"
SHIP WEIGHT	2,800 LBS
FREIGHT CLASS	85



OPTIONAL ACCESSORIES

COUPLER	2 5/16"
PINTLE	3"
50 AMP PLUG	CS6365C

TRAILER ACCESSORIES	SPARE TIRE TOOL BOX
BATTERY	GROUP 24 650 CCA
DSE8610	WITH PARALLELING CONTACTOR

NOTES:
 (1) Battery is not included.
 (2) For more warranty information, see operator's manual.
 (3) The recommended oil is for normal applications.
 See operator's manual for more oil recommendations.
 (4) Run time is estimated.
 Specifications are subject to change without notice.



Sales: 507-357-6821
 Service: 507-357-6831

