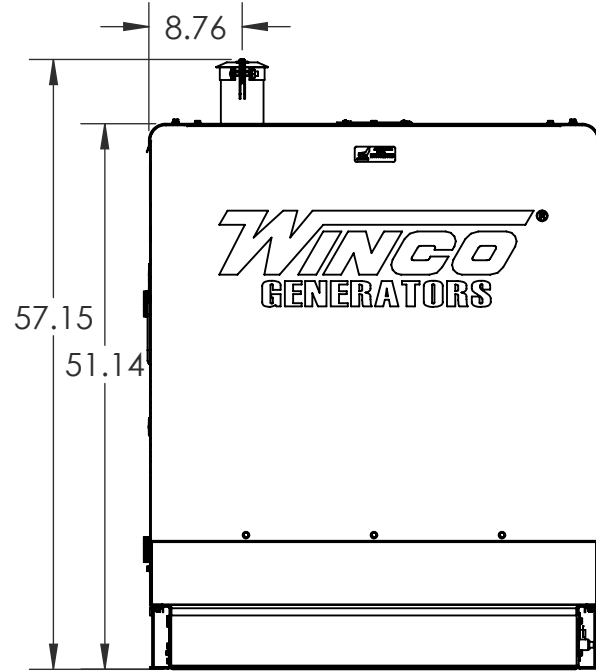


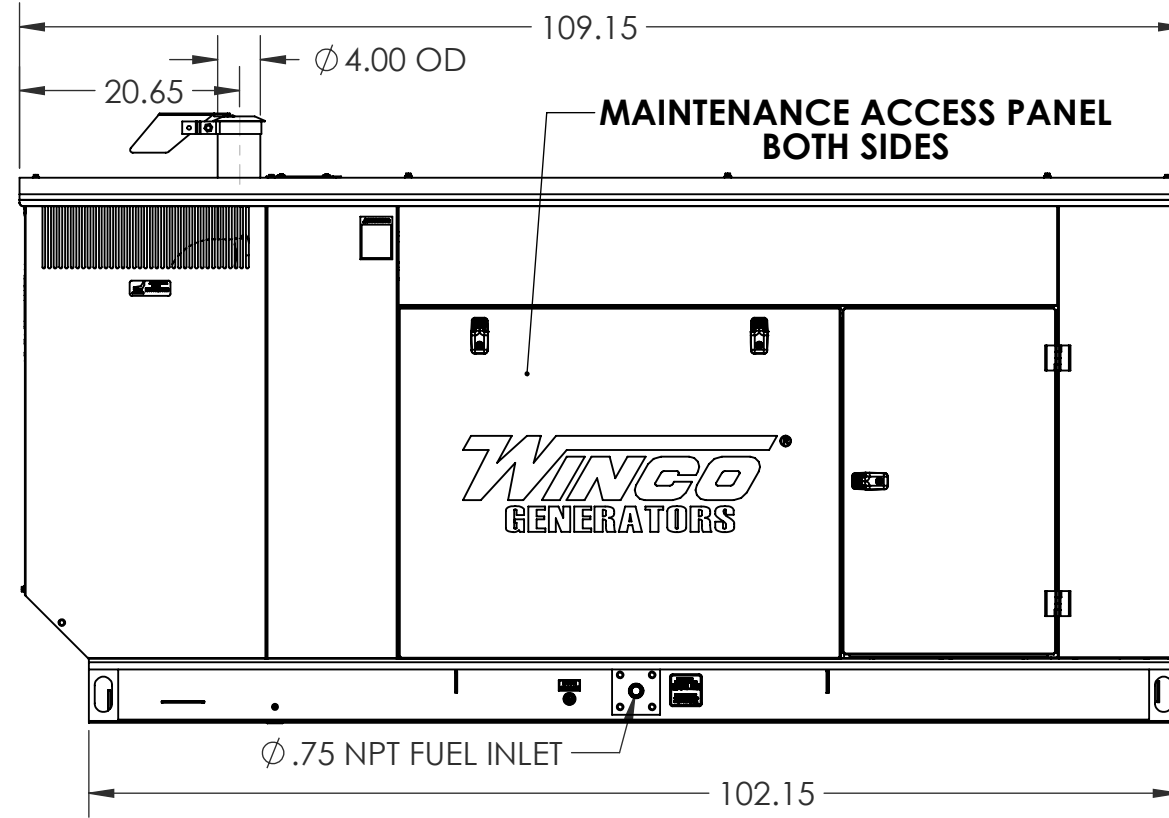
O-546

REVISIONS					
REV.	IRN	DESCRIPTION	DATE	BY	APP'D
A	PSS40	NEW RELEASE	10/8/2021	MCB	DRC
B	PSS40	UPDATED MODEL	5/20/2022	MCB	DRC

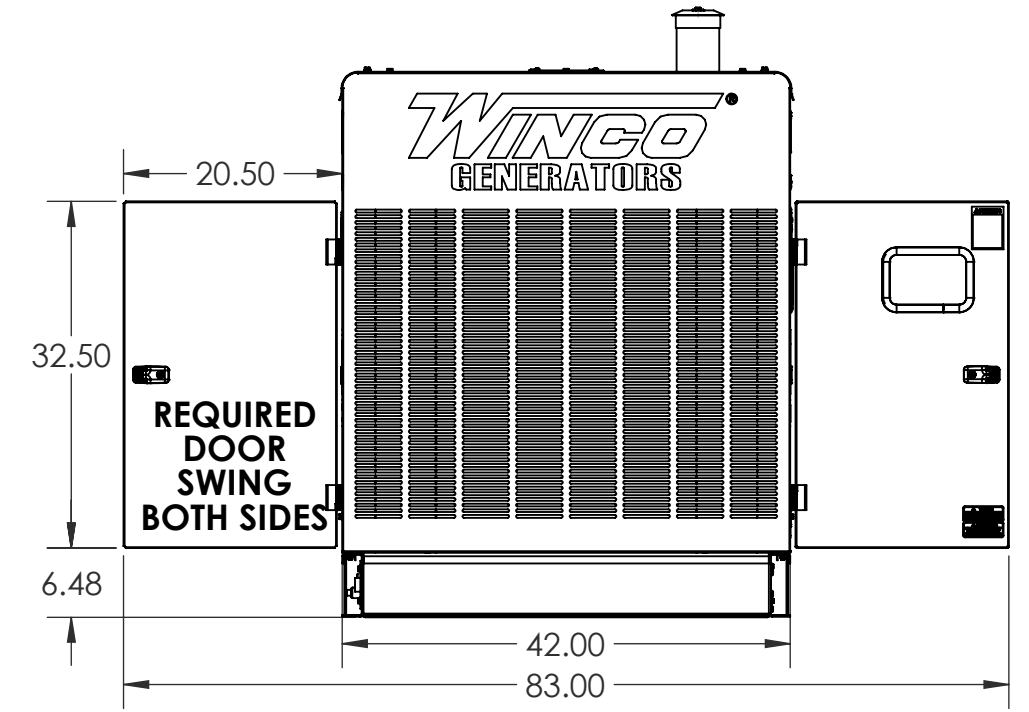
**FRONT**



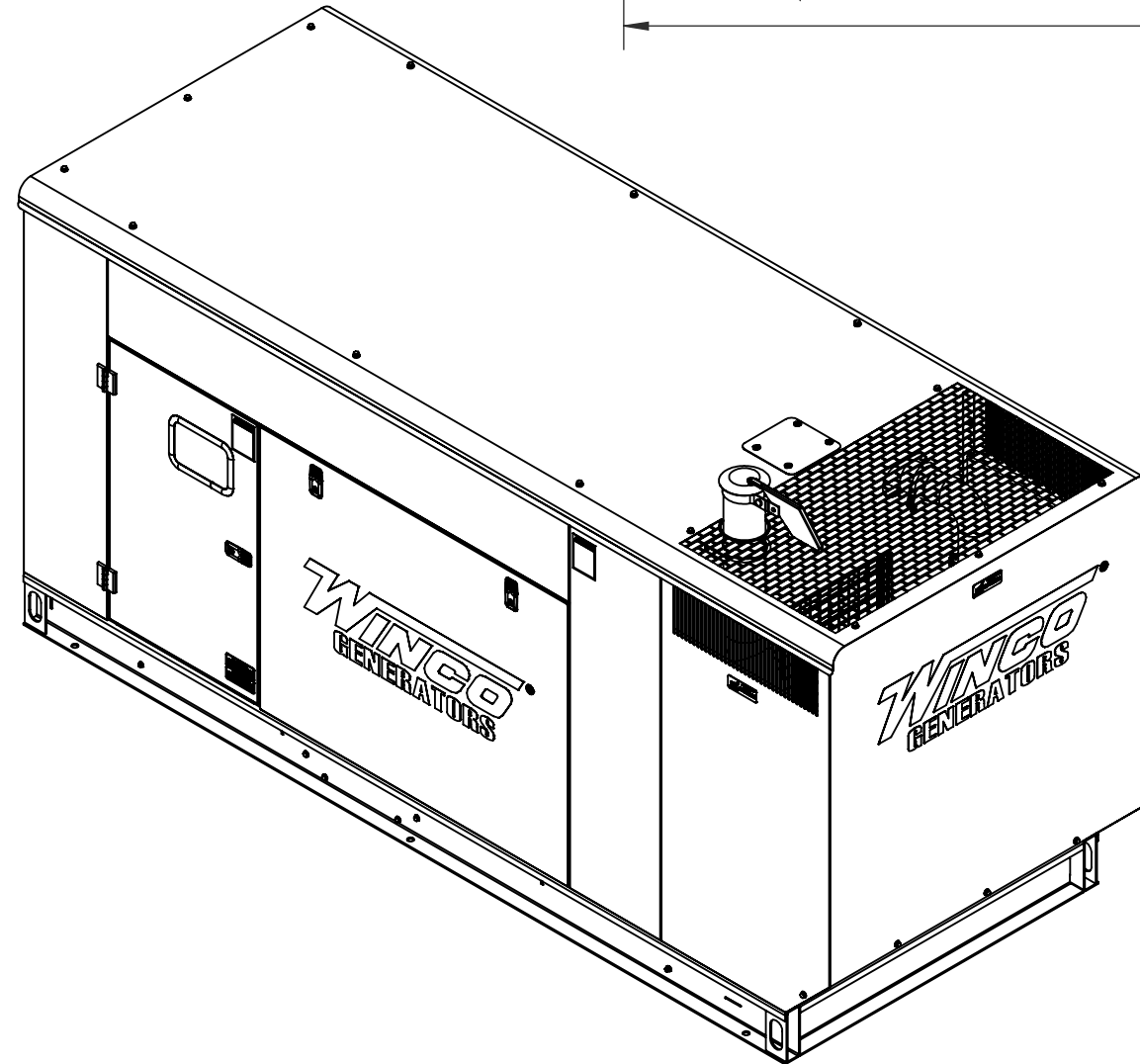
**LEFT SIDE**



**REAR**



LIFT POINT  
 $\phi 1.63 \times 3.30$  (4 PLACES)



**HOUSED APPROX. WEIGHT: 2500 LBS**

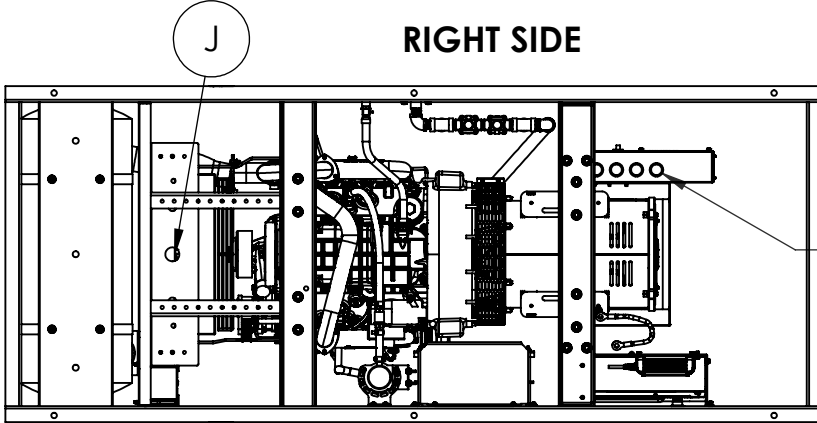
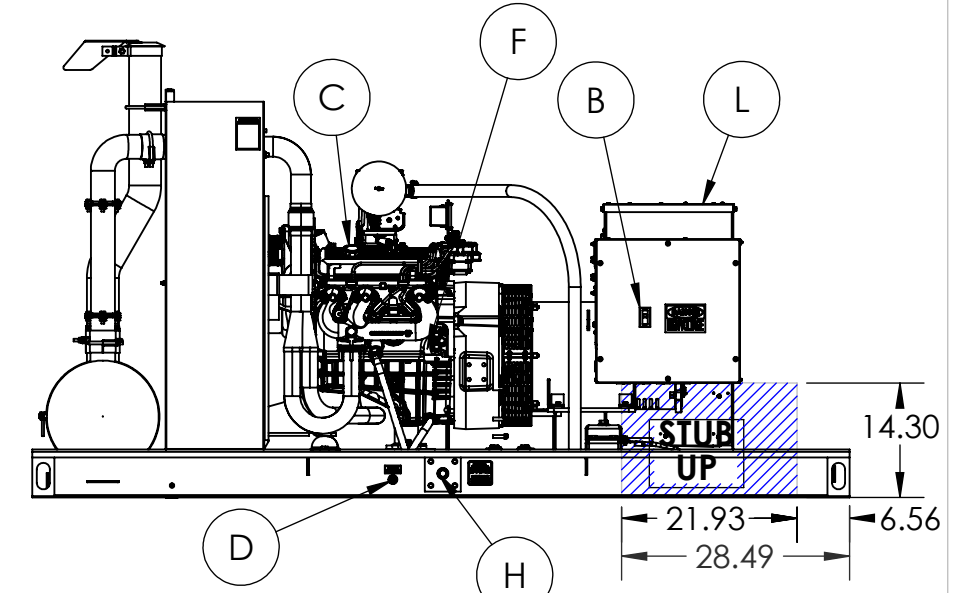
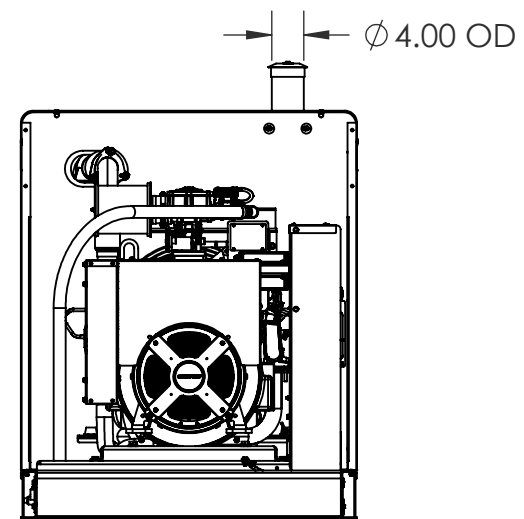
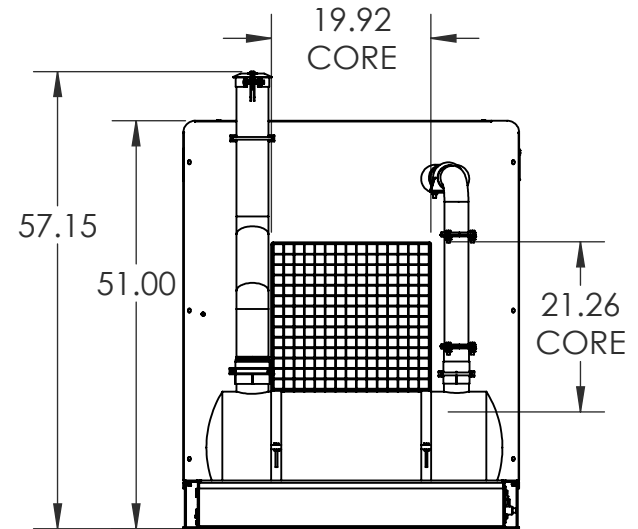
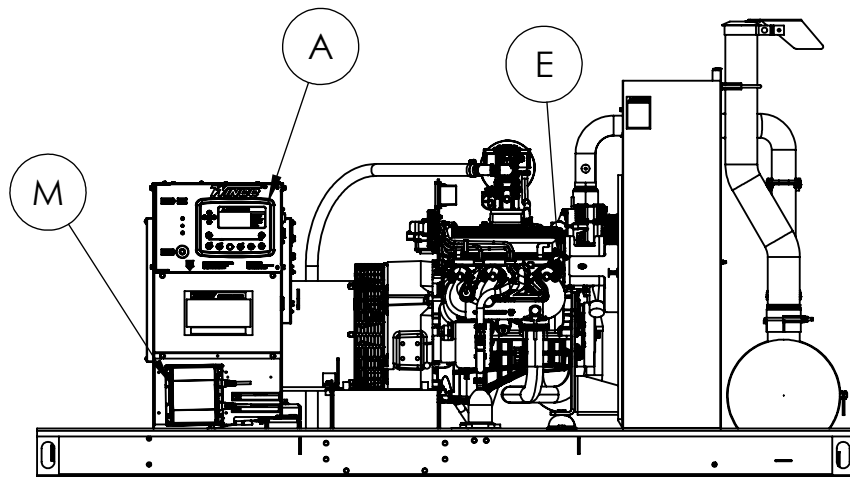
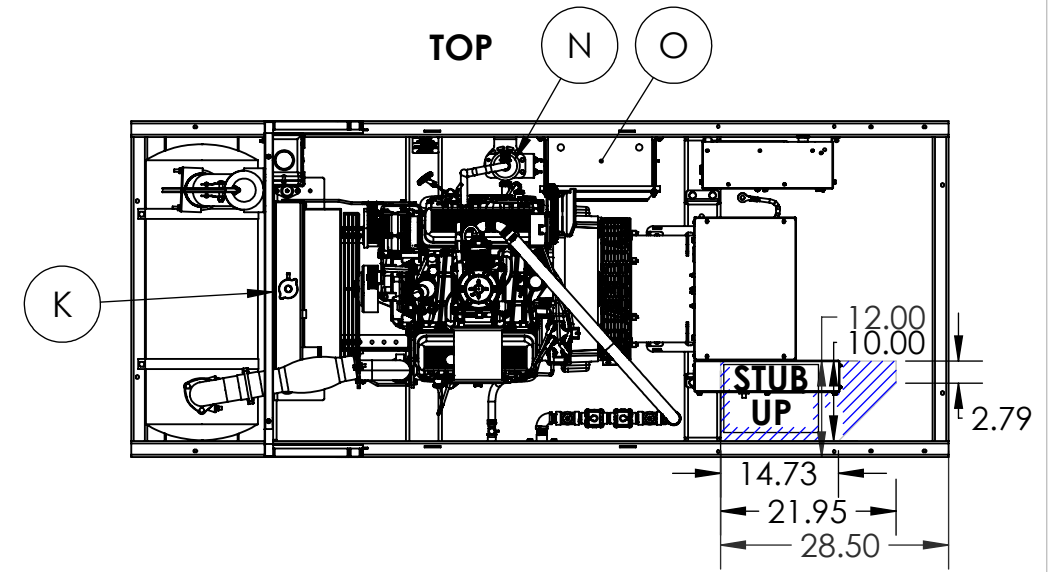
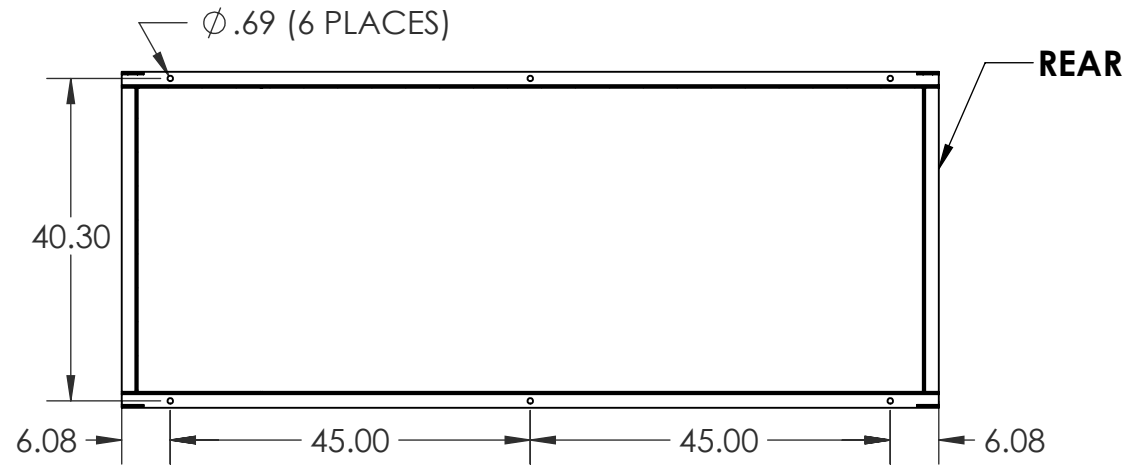
 THIS DRAWING CONTAINS PROPRIETARY INFORMATION BELONGING TO WINCO. UNAUTHORIZED USE IS PROHIBITED. ALL DIMENSIONS INCH	DRAWN BY	DATE	CHK'D BY	DATE	ENG APPR.	DATE
	PAK	11/24/2020	---	--/--/----	PAK	07/23/2020
	TOLERANCE:	+/- 0.0625 DECIMAL		TITLE:		
	MODEL:	+/- 1 DEG ANGULAR		OUTLINE DRAWING		
	WINCO®	PART:	O-546	1 of 2		

O-546

KEY COMPONENTS	
A	ENGINE CONTROL
B	MAIN LINE CIRCUIT BREAKER
C	OIL FILL
D	OIL DRAIN
E	OIL DIPSTICK
F	OIL FILTER
H	FUEL INLET
I	AIR FILTER
J	COOLANT DRAIN
K	COOLANT FILL
L	AVR
M	BATTERY CHARGER
N	BLOCK HEATER
O	BATTERY

REVISIONS					
REV.	IRN	DESCRIPTION	DATE	BY	APP'D
A	PSS40	NEW RELEASE	10/8/2021	MCB	DRC
B	PSS40	UPDATED MODEL	5/20/2022	MCB	DRC

# TOP VIEW HOLE PATTERN



RIGHT SIDE

FRONT

REAR

LEFT SIDE

BOTTOM

KNOCKOUT  $\phi 1.69$  (4 PLACES)

OPEN SKID APPROX. WEIGHT: 2120 LBS

 THIS DRAWING CONTAINS PROPRIETARY INFORMATION BELONGING TO WINCO. UNAUTHORIZED USE IS PROHIBITED. ALL DIMENSIONS INCH	DRAWN BY	DATE	CHK'D BY	DATE	ENG APPR.	DATE
	TDS	1/20/2021			PAK	07/23/2020
	TOLERANCE:	+/- 0.0625 DECIMAL		TITLE: OUTLINE DRAWING		
		+/- 1 DEG ANGULAR				
	MODEL:	PSS40		PART: O-546		
					2 of 2	