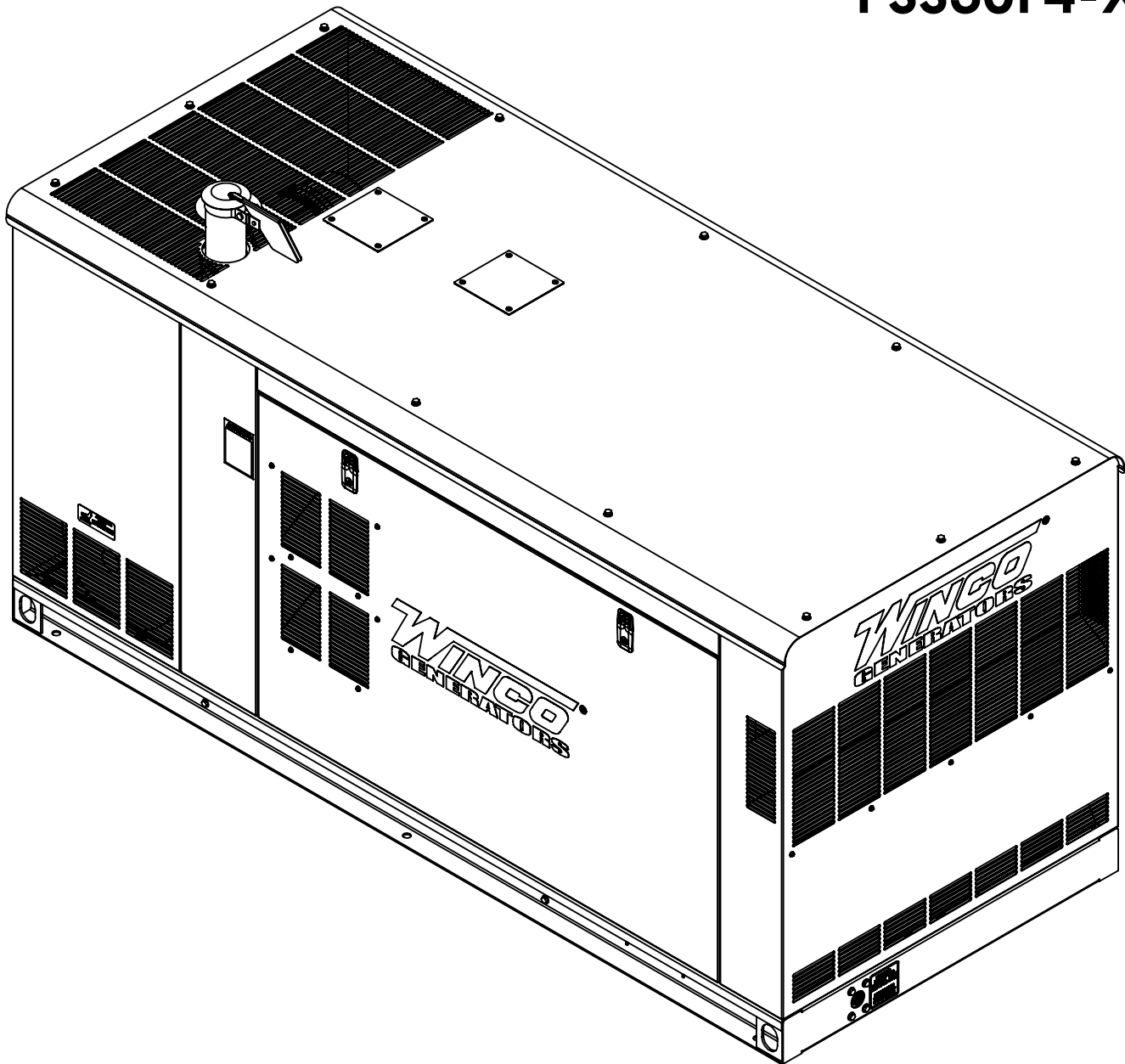




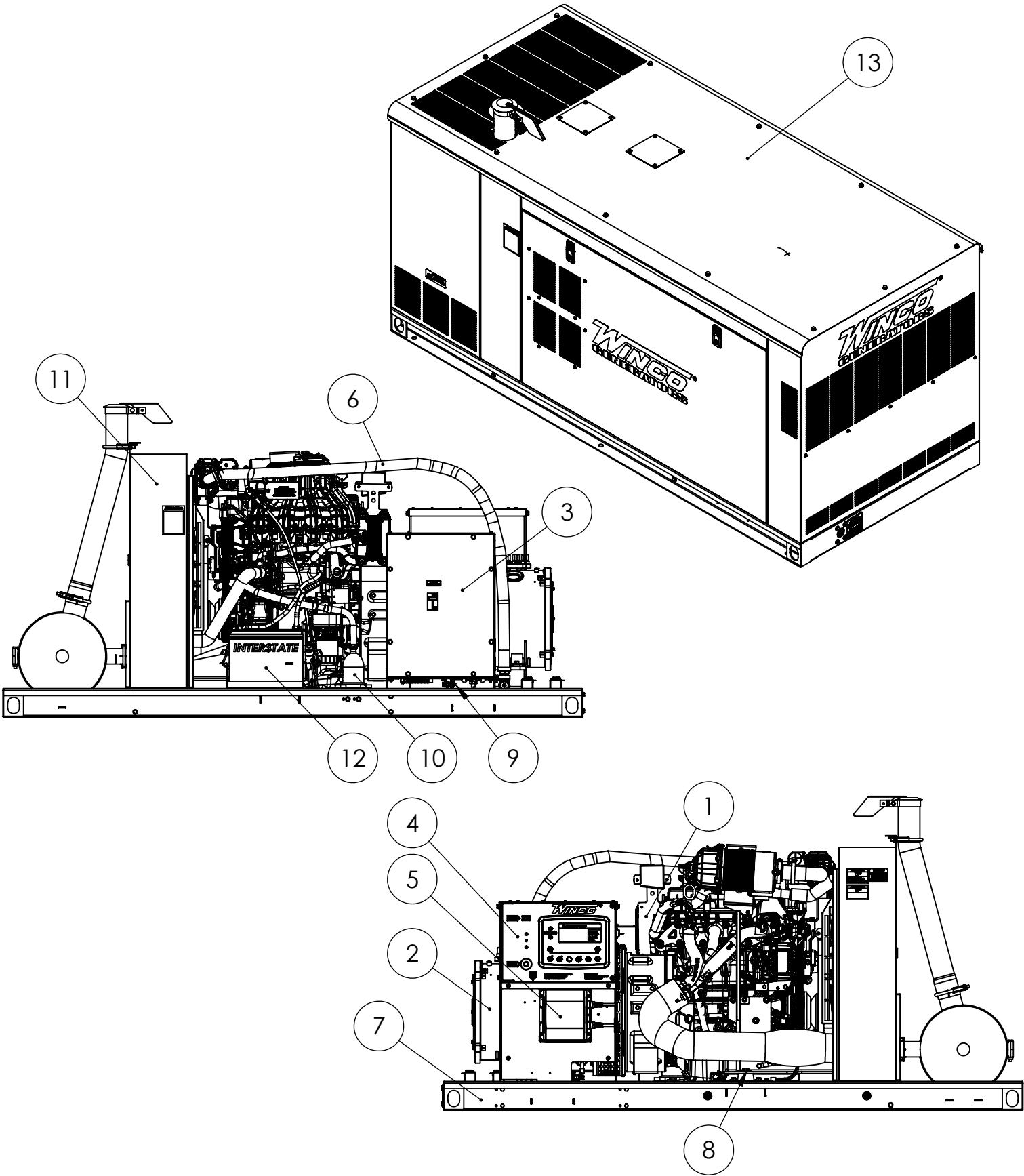
## Parts List

PSS21F4-XX/3  
PSS30F4-XX/3



**WINCO Service**  
Phone: 507-357-6831  
Email: [service@wincogen.com](mailto:service@wincogen.com)  
[www.wincogen.com](http://www.wincogen.com)

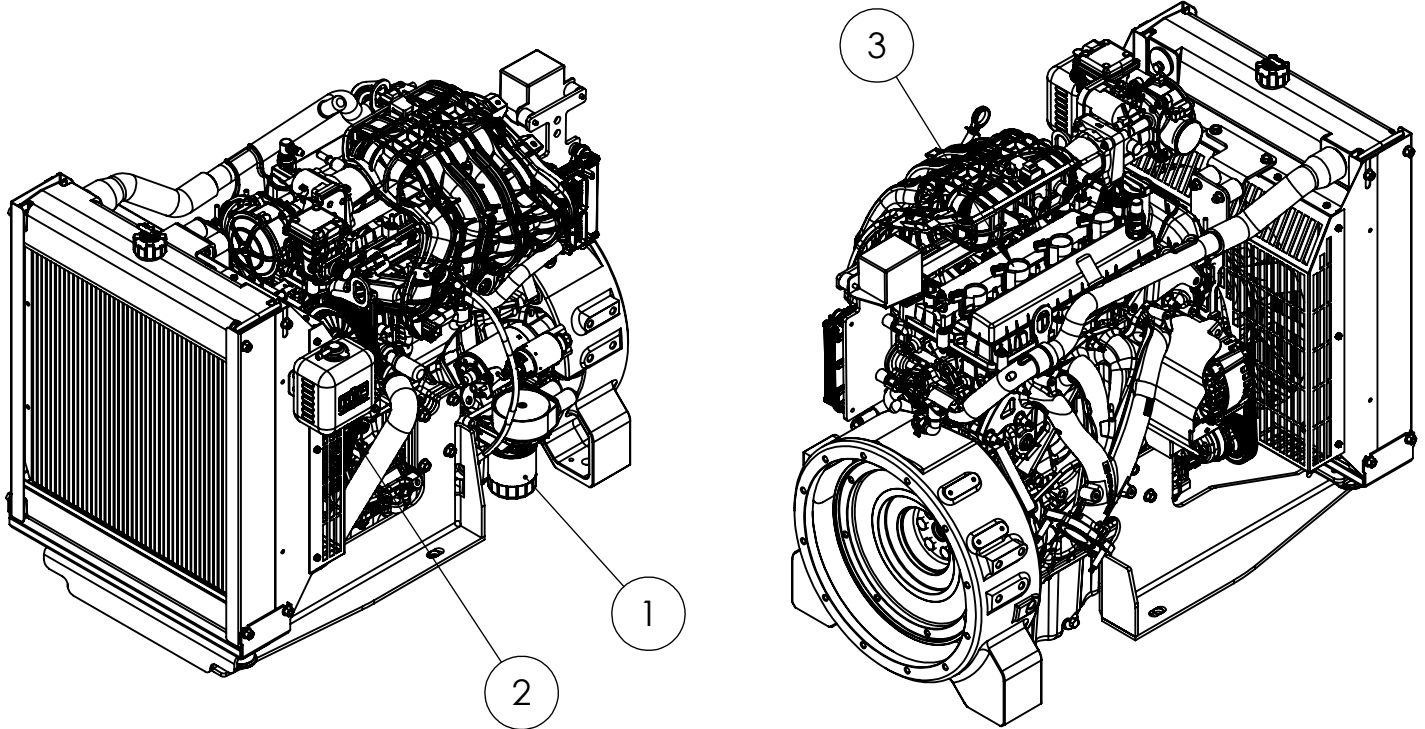
# General Assembly



# General Assembly continued

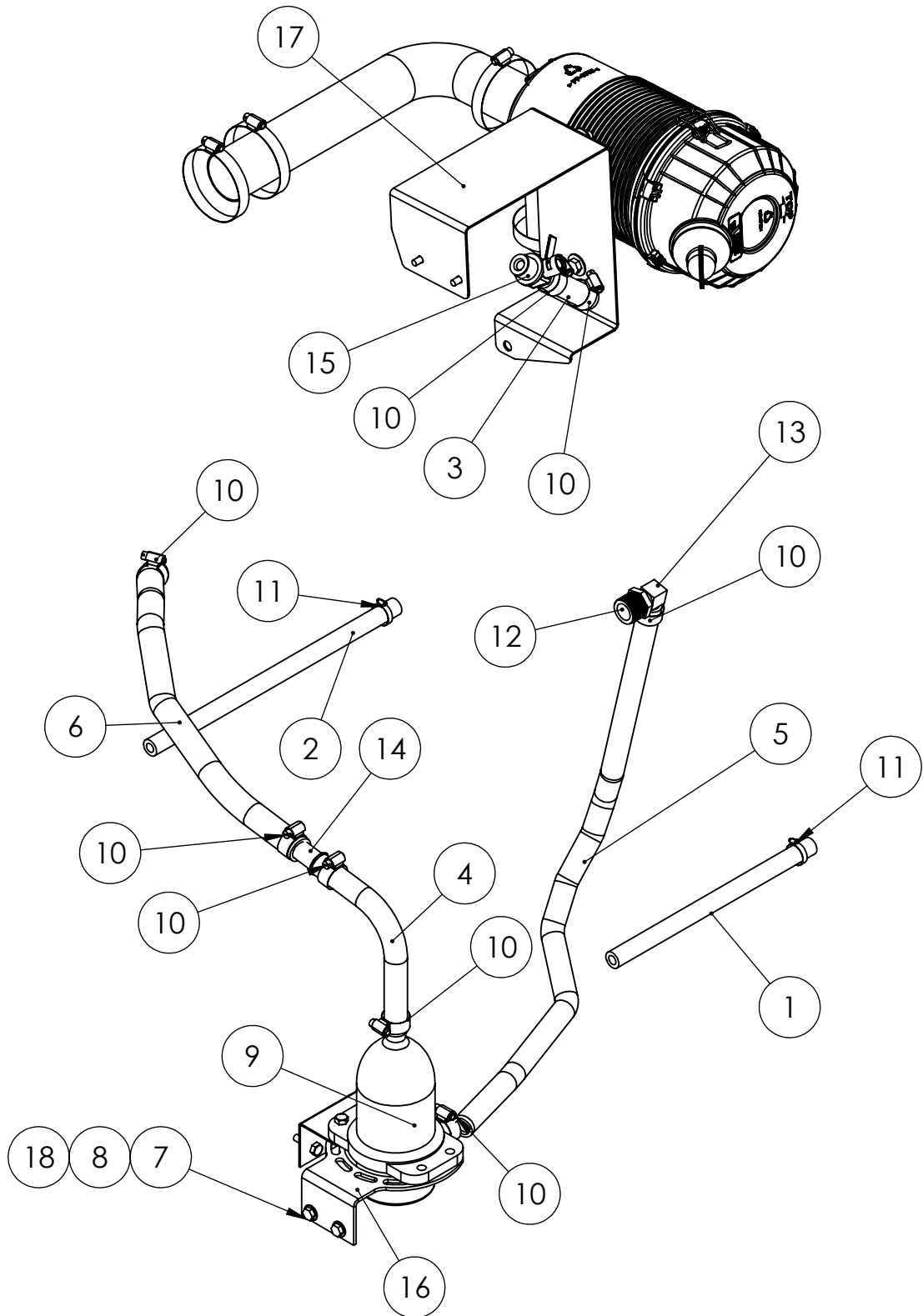
ITEM NO.	PART NUMBER	DESCRIPTION	QTY.
1	350002-35S	ENGINE, EDI FORD, 2.5L,I-4, NATURAL,NG/LP,ECU,12V,STANDBY	1
2	350023-3	GEN END, S1L2-H1, SAE#4/10", WDG#706, 4-LEAD, UL1004 RATED, 30.0KW @ 120C, CLASS H, 4-POLE, 1500-1800 RPM, STAMFORD, USED ON PSS30 -3	1
3	99836-144	CB BOX ASSEMBLY	1
4	99836-001	DSE CONTROL PEDESTAL ASSEMBLY	1
5	352020-24	BATTERY CHARGER KIT 12V 5 AMP	1
6	99362-025	FUEL SYSTEM	1
7	99382-331	STATION 1	1
8	99382-332	STATION 2	1
9	99382-333	PSS30 STATION 3 ASSEMBLY	1
10	99382-335	BLOCK HEATER & AIR FILTER INSTALL	1
11	99687-028	EXHAUST SYSTEM	1
12	99382-105	STATION 4 ASSEMBLY	1
13	99397-032	HOUSING ASSEMBLY	1
14	63966-005	KIT, NAMEPLATE WINCO	1
15	99420-036	ENGINE HARNESS PSS21-30 FORD	1
17	300515-30	5W-30 OIL PER GALLON	1.75
18	300515-4	ANTIFREEZE PER GALLON	2

# Engine



ITEM NO.	PART NUMBER	DESCRIPTION	QTY.
1	13-106	OIL FILTER	1
2	13-107	SERPENTINE BELT	1
3	13-108	SPARK PLUG	4
Contact Winco service for full engine parts support.			

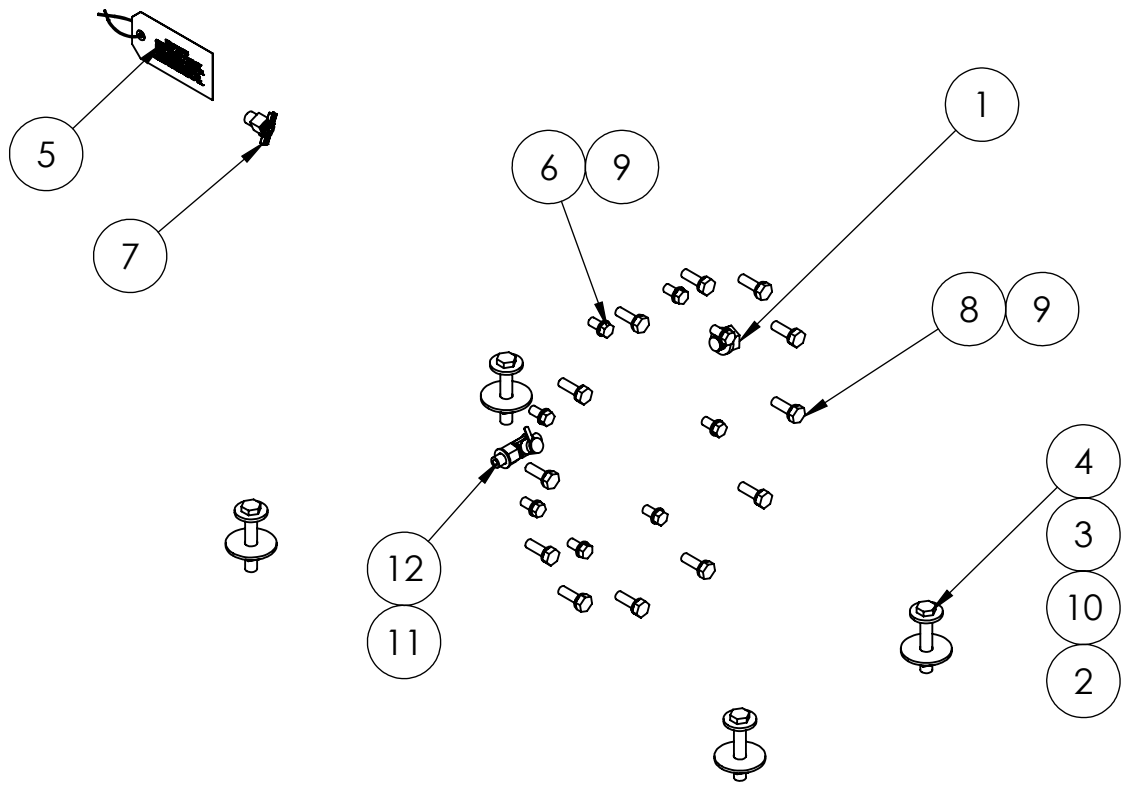
# Block Heater and Air Filter



## Block Heater and Air Filter Continued

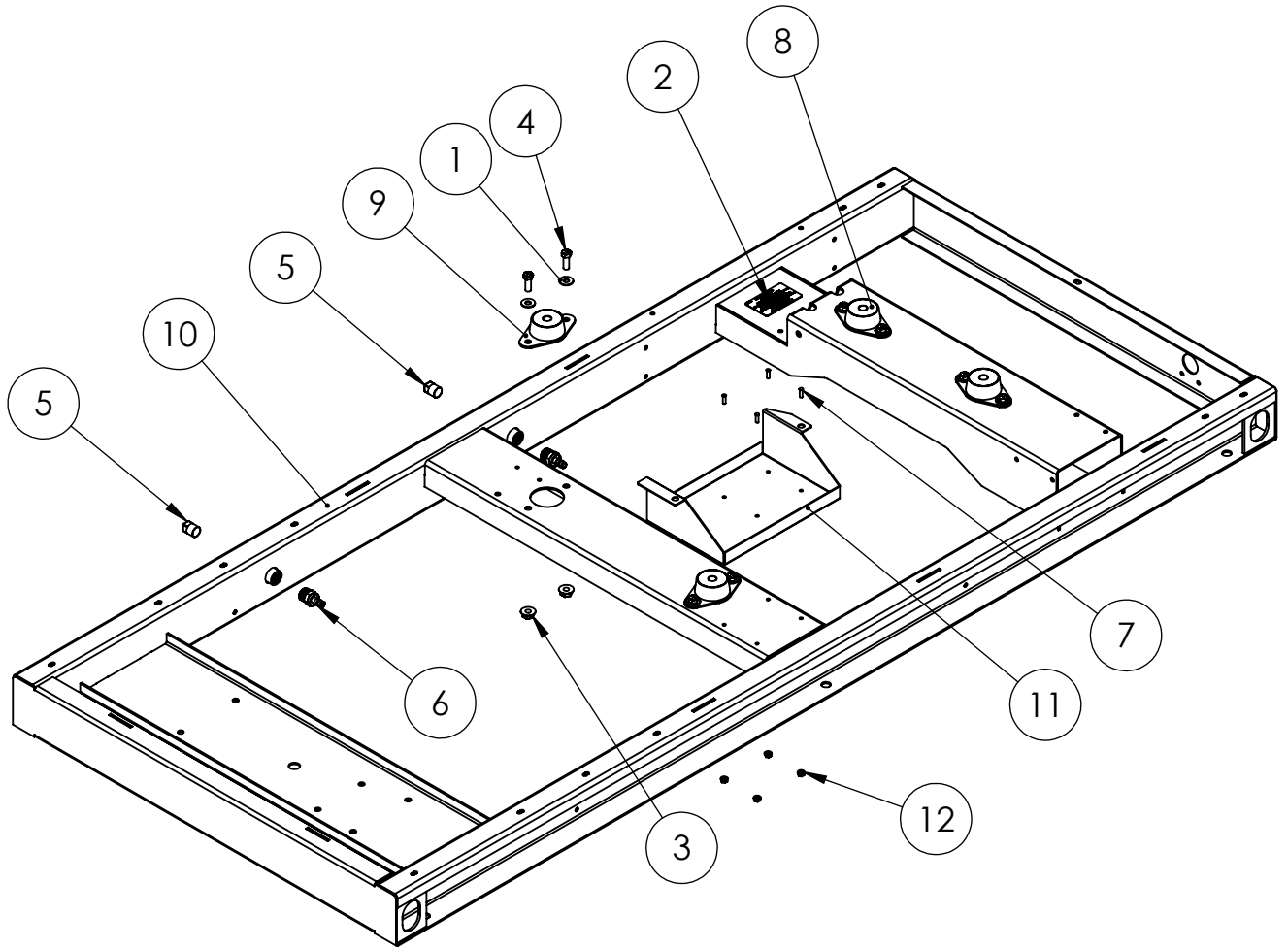
ITEM NO.	PART NUMBER	DESCRIPTION	QTY.
1	55505-000	.375 HOSE 10.5" LONG	1
2	55505-000	.375 HOSE 13" LONG	1
3	56107-000	HOSE 0.625ID HTR RED 3IN LONG	1
4	56107-000	HOSE 0.625ID HTR RED 11IN LONG	11
5	56107-000	HOSE 0.625ID HTR RED 34.5IN LONG	34.5
6	56108-000	HOSE 0.75ID HTR RED 10IN LONG	10
7	65000-001	.25-20X.75 SS HHCS	2
8	65005-000	.25 WASHER SS	2
9	80781-018	BLOCK HEATER WITH THERMOSTAT ASSY	1
10	81018-005	HOSE CLAMP 1.0625-.500	8
11	81018-008	HOSE CLAMP .875-.25	2
12	81075-000	HEX REDU.BUSH. 3/4X1/2	1
13	92382-001	HOSE FIT.ELBOW .500NPT X .625 HOSE	1
14	98590-004	HEATER HOSE CONNECTOR	1
15	98906-014	OIL DRAIN VALVE M22-1.50 X 5/8 FG-7BN	1
16	351929-2	BLOCK HEATER BRACKET	1
17	352104-30	AIR FILTER KIT	1
18	16248-000	.25-20 FLANGE NUT	2
19	62625-004	20" HEAT SLEEVE	1
20	49975-014	STAINLESS STEEL CABLE TIE 8"	2

# Engine and Generator Mounting Hardware



ITEM NO.	PART NUMBER	DESCRIPTION	QTY.
1	15012-002	FLYWHEEL PLUG, IVECO	1
2	16248-001	.5-13 FLANGE NUT	4
3	21867-002	WASHER .5 X 1.375 X .146	4
4	57580-007	HHCS .5-13 X 3	4
5	60710-097	OIL WARNING TAG	1
6	91658-011	.375-16X.75 HHB	8
7	93824-003	PETCOCK VALVE 1/4 NPT 90 HOSE BARB	1
8	96003-030	M10-1.5X30MM	12
9	97436-010	M10 LOCKWASHER	20
10	98806-002	WASHER SNUBBING 2.13 X .532 X .134THK	4
11	98906-009	OIL DRAIN VALVE M12-1.75 X 3/8 F-107N	1
12	99778-000	ADAPTER FITTING M12-1.75(M) X M12-1.75(F)	1

# Base Assembly

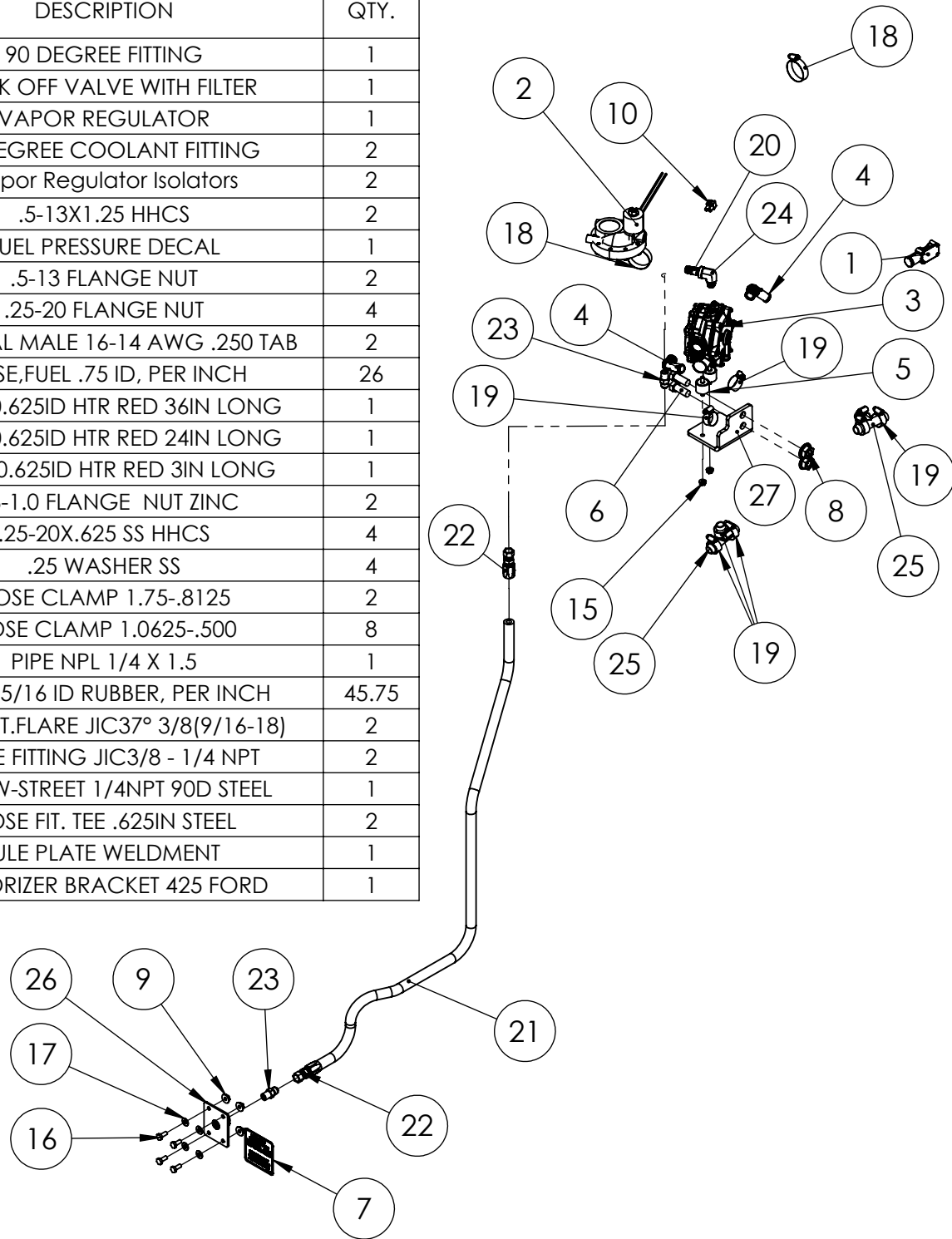


ITEM NO.	PART NUMBER	DESCRIPTION	QTY.
1	526-000	WASHER ID .375 OD .890	8
2	16200-515	MAINTENANCE KIT DECAL	1
3	16250-000	.375-16 FLANGE NUT	8
4	91658-001	HHCS 3/8-16X1	8
5	93084-000	PIPE PLUG .50 GALV	2
6	94319-008	HOSE FIT. .500-14NPT X .375 HOSE BARB	2
7	95568-000	THREAD STUD 10-24 X .625	4
8	98807-004	SHOCKMOUNT GREEN	2
9	98807-005	SHOCKMOUNT BLUE/GOLD	2
10	99309-170	WELDED BASE	1
11	99317-007	BATTERY TRAY	1
12	99671-000	#10-24 HEX NUT	4

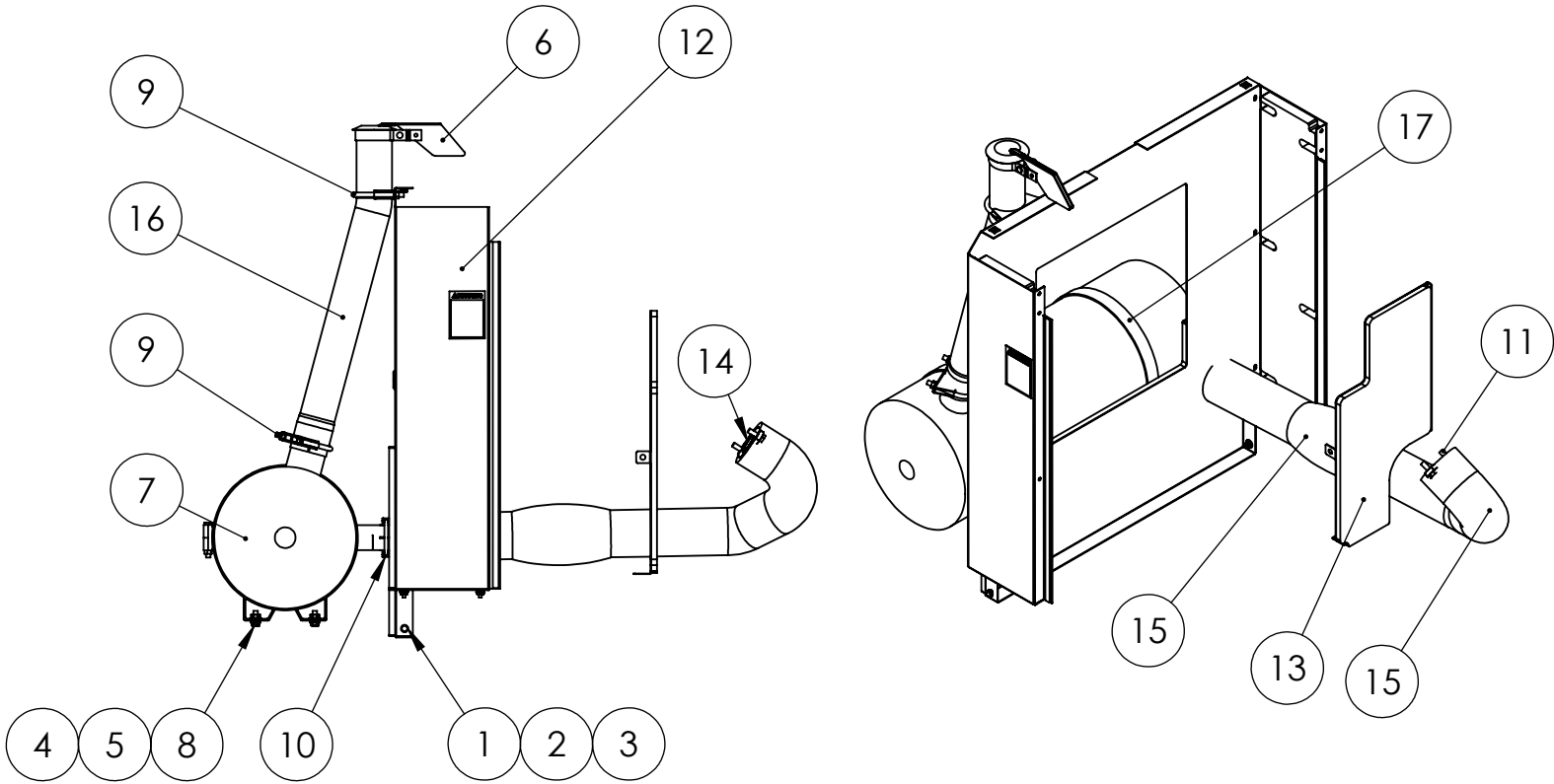


# Fuel System - Liquid Withdrawal

ITEM NO.	PART NUMBER	DESCRIPTION	QTY.
1	13-109	90 DEGREE FITTING	1
2	13-110	LOCK OFF VALVE WITH FILTER	1
3	13-111	VAPOR REGULATOR	1
4	13-112	70 DEGREE COOLANT FITTING	2
5	13-113	Vapor Regulator Isolators	2
6	1516-000	.5-13X1.25 HHCS	2
7	15210-012	FUEL PRESSURE DECAL	1
8	16248-001	.5-13 FLANGE NUT	2
9	16248-000	.25-20 FLANGE NUT	4
10	48602-004	TERMINAL MALE 16-14 AWG .250 TAB	2
11	49408-000	HOSE,FUEL .75 ID, PER INCH	26
12	56107-000	HOSE 0.625ID HTR RED 36IN LONG	1
13	56107-000	HOSE 0.625ID HTR RED 24IN LONG	1
14	56107-000	HOSE 0.625ID HTR RED 3IN LONG	1
15	64841-001	M6-1.0 FLANGE NUT ZINC	2
16	65000-000	.25-20X.625 SS HHCS	4
17	65005-000	.25 WASHER SS	4
18	81018-004	HOSE CLAMP 1.75-.8125	2
19	81018-005	HOSE CLAMP 1.0625-.500	8
20	81375-004	PIPE NPL 1/4 X 1.5	1
21	81640-000	HOSE 5/16 ID RUBBER, PER INCH	45.75
22	81642-000	HOSE FIT.FLARE JIC37° 3/8(9/16-18)	2
23	81643-001	HOSE FITTING JIC3/8 - 1/4 NPT	2
24	95871-004	ELBOW-STREET 1/4NPT 90D STEEL	1
25	97484-009	HOSE FIT. TEE .625IN STEEL	2
26	99065-008	FULE PLATE WELDMENT	1
27	99367-131	VAPORIZER BRACKET 425 FORD	1

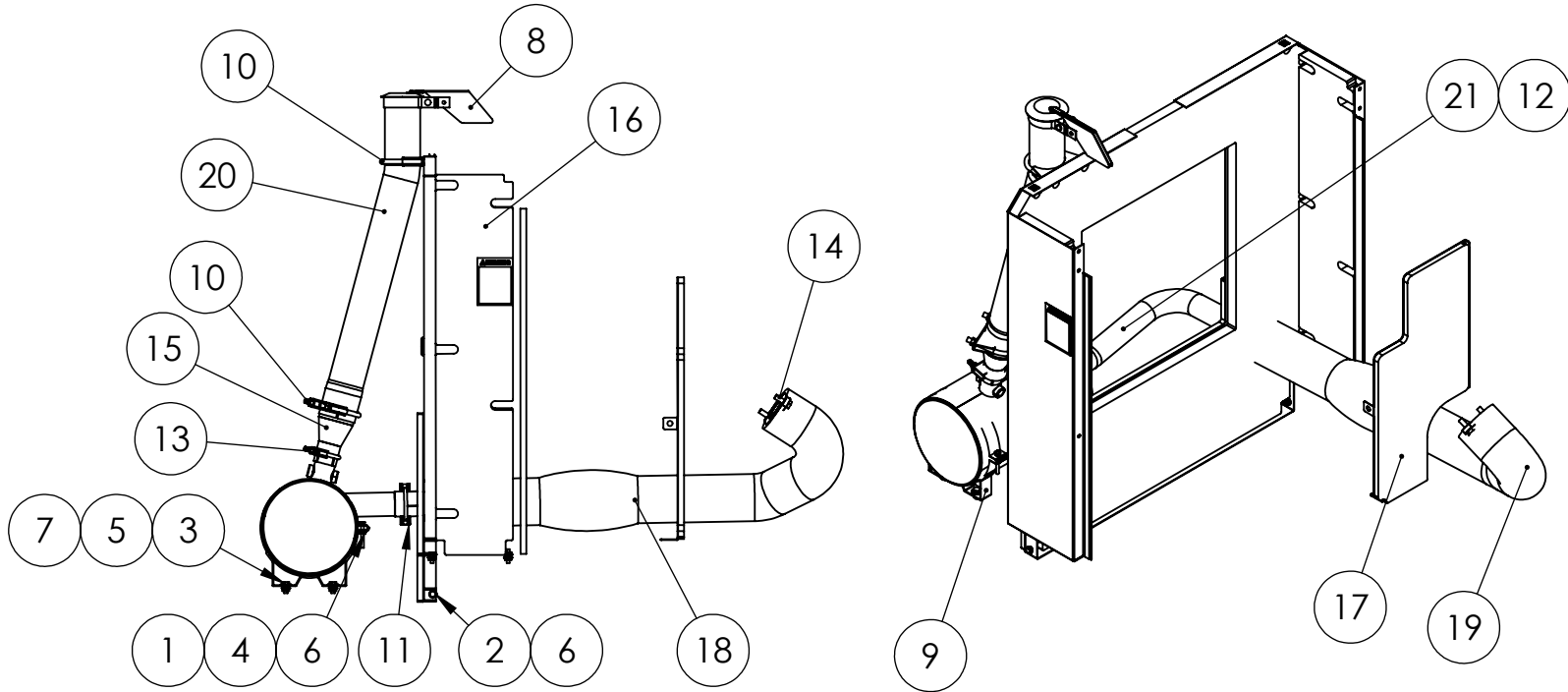


# Exhaust System Sound-Pak (Housed) and Power-Pak (Open)



ITEM NO.	PART NUMBER	DESCRIPTION	QTY.
1	466-000	.25-20X.75 HHB	6
2	512-000	.25 WASHER	6
3	16248-000	.25-20 FLANGE NUT	6
4	16250-000	.375-16 FLANGE NUT	4
5	20604-000	3/8 WASHER	4
6	53111-008	3" RAIN CAP	1
7	80519-022	CRITICAL GRADE SILENCER	1
8	91658-001	HHCS 3/8-16X1	4
9	93489-001	MUFFLER CLAMP 3"	2
10	93489-011	MUFFLER CLAMP 2.25"	1
11	96003-030	M10-1.5X30MM	2
12	99071-064	RAD HOUSING ASSEMBLY	1
13	99100-053	EXHAUST BAFFLE	1
14	99298-042	EXHAUST FLEX PIPE	2
15	99298-043	EXHAUST FLEX PIPE WRAP	1
16	99298-044	TAIL PIPE	1
17	350264-3	EXHAUST CLAMP 12"	2

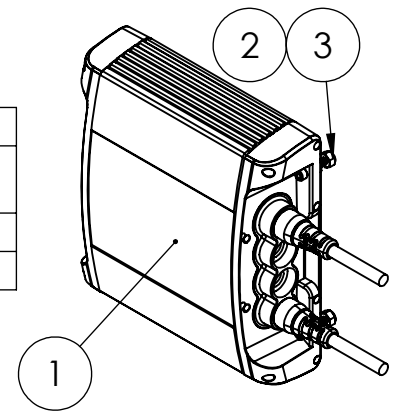
# Exhaust System - Prime Sound-Pak (Housed) and Power-Pak (Open)



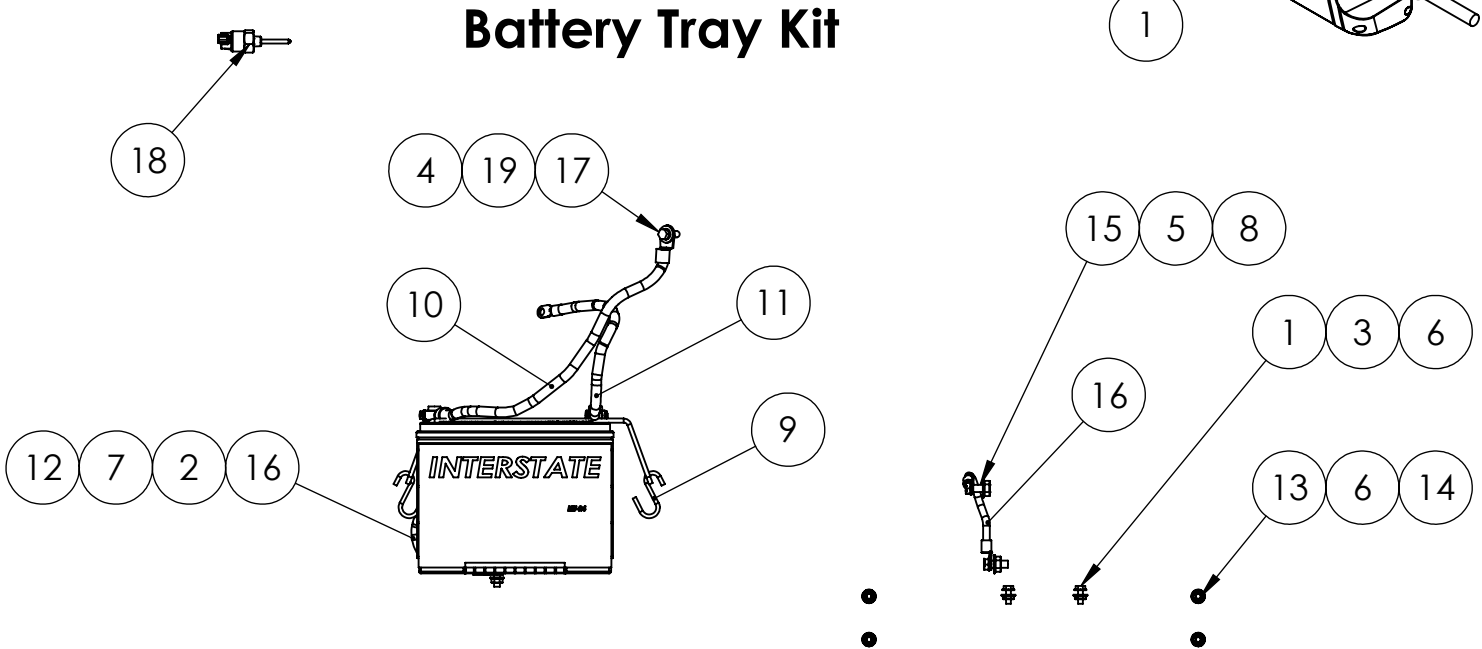
ITEM NO.	PART NUMBER	DESCRIPTION	QTY.
1	466-002	.25-20X2 HHB	2
2	466-000	.25-20X.75 HHB	6
3	467-000	HHCS 5/16-18X.75	4
4	479-000	LOCK WASHER, .25" SPLIT	2
5	526-000	5/16 FLAT WASHER	4
6	16248-000	.25-20 FLANGE NUT	8
7	16249-000	.3125-18 FLANGE	4
8	53111-008	3" RAIN CAP	1
9	93484-004	MUFFLER MTG.BRACKET 8.125IN - PAINTED	2
10	93489-001	MUFFLER CLAMP 3"	2
11	93489-003	2.0" EXHAUST CLAMP	1
12	93489-005	MUFFLER CLAMP, 1-7/8"	1
13	93489-013	MUFFLER CLAMP, 1-3/4"	1
14	96003-030	M10-1.5X30MM	2
15	97759-012	EXHAUST REDUCER	1
16	99071-064	RAD HOUSING ASSEMBLY	1
17	99100-053	EXHAUST BAFFLE	1
18	99298-042	EXHAUST FLEX PIPE	2
19	99298-043	EXHAUST FLEX PIPE WRAP	1
20	99298-044	TAIL PIPE	1
21	508150-016	EXHAUST PIPE	1
22	512-000	.25 WASHER	6

# Battery Chargers

ITEM NO.	PART NUMBER	DESCRIPTION	QTY.
1	72036-023	BATTERY CHARGER, 120VAC/12VDC, 5.0 AMP, GUEST MODEL 2708A	1
2	64872-001	SOC.HCS 10-24 X 1 BLK	4
3	5315-000	NUT HEX 10-24 NYLON	4

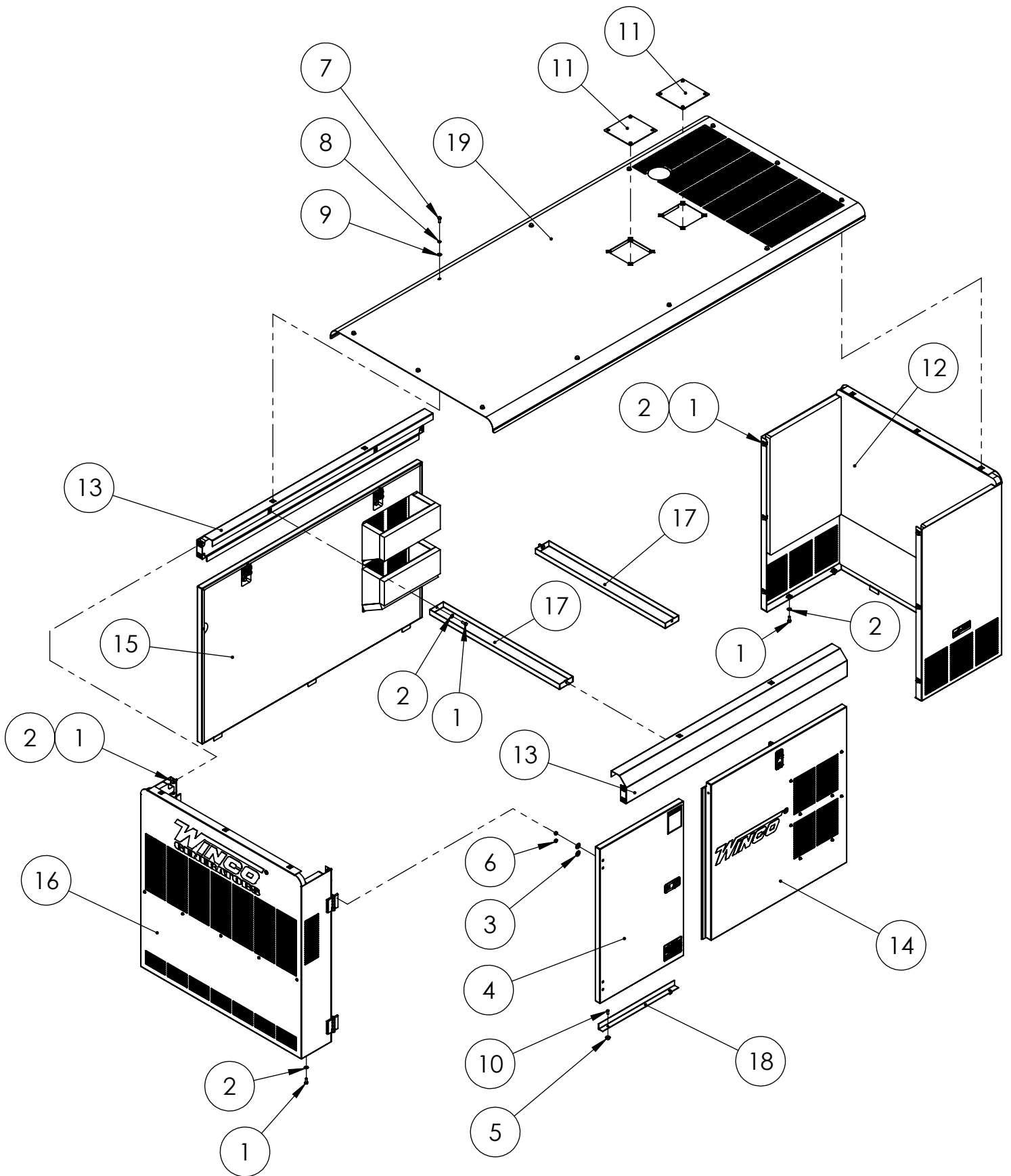


# Battery Tray Kit



ITEM NO.	PART NUMBER	DESCRIPTION	QTY.
1	466-000	.25-20X.75 HHB	2
2	467-000	HHCS 5/16-18X.75	2
3	512-000	.25 WASHER	2
4	526-000	WASHER ID .375 OD .890	1
5	4516-001	LOCKWASHER 3/8 EXTERNAL TOOTH	2
6	16248-000	.25-20 FLANGE NUT	6
7	16249-000	.3125-18 FLANGE	2
8	16250-000	.375-16 FLANGE NUT	2
9	16329-001	RUBBER STRAP, BATTERY HOLD DOWN.	1
10	53220-012	BATTERY CABLE ASSY	1
11	53220-039	BATTERY CABLE ASSY	1
12	55224-000	LOCK WASHER 5/16 EXTERNAL TOOTH	2
13	65000-001	.25-20X.75 SS HHCS	4
14	65005-000	.25 WASHER SS	4
15	91658-001	HHCS 3/8-16X1	2
16	93542-018	LEAD WIRE	2
17	96002-025	M8-1.25X25MM	1
18	96333-004	PROBE, LOW COOLANT, 3-WIRE, 1_4 NPT	1
19	97436-008	LOCKWASHER M8	1

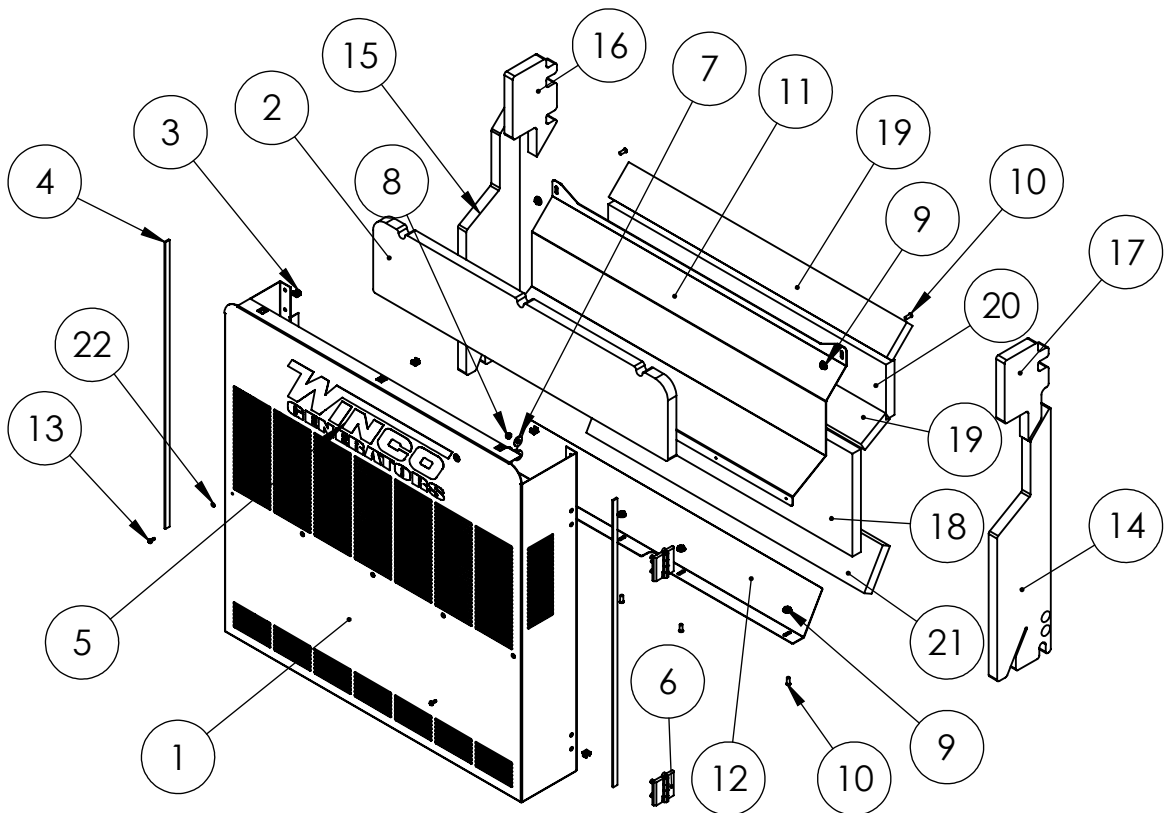
# Housing



## Housing Continued.

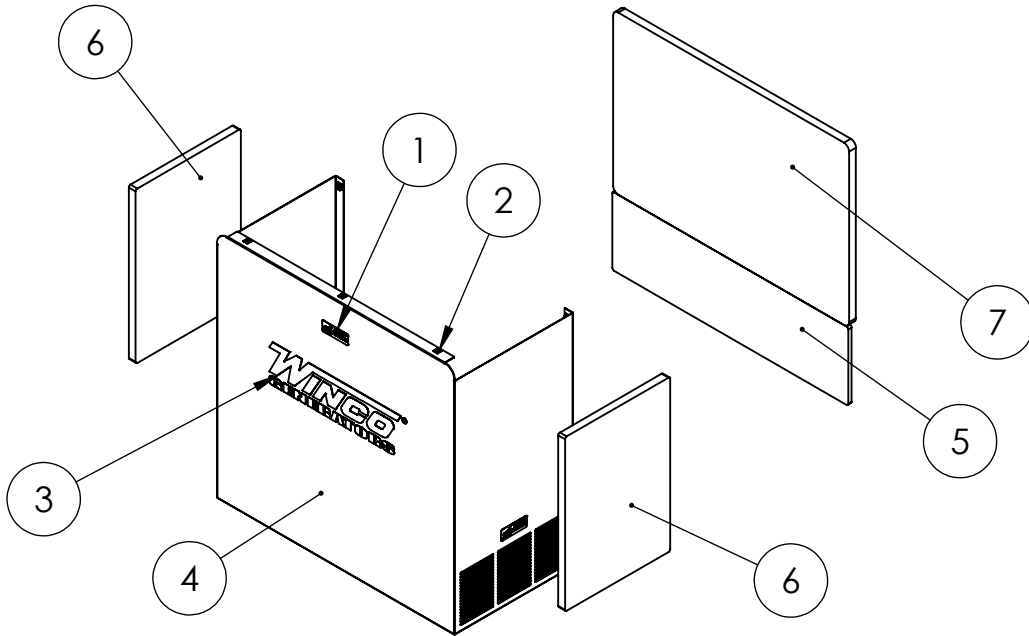
ITEM NO.	PART NUMBER	DESCRIPTION	QTY.
1	466-000	.25-20X.75 HHB	26
2	512-000	.25 WASHER	26
3	526-000	5/16 FLAT WASHER	4
4	15680-061	DOOR ASSEMBLY	1
5	16248-000	.25-20 FLANGE NUT	2
6	16446-000	M8-1.25 NYLOCK	4
7	65000-001	.25-20X.75 SS HHCS	12
8	65003-000	SS LOCK WASHER ID.25 OD.475 TH.07	12
9	65005-000	.25 WASHER SS	12
10	94980-001	THREAD STUD .25-20X.625	2
11	99060-016	ROOF COVER ASSEMBLY	2
12	99071-065	HOUSING, FRONT END	1
13	99078-127	SIDE SILL ASSEMBLY	2
14	99100-026	RIGHT SIDE PANEL WITH FOAM	1
15	99100-027	LEFT PANEL WITH FOAM	1
16	99100-028	REAR HOUSING ASSEMBLY	1
17	99225-007	ROOF SUPPORT	2
18	99333-020	DOOR STOP	1
19	99515-034	ROOF WITH FOAM	1

# Rear Housing Assembly



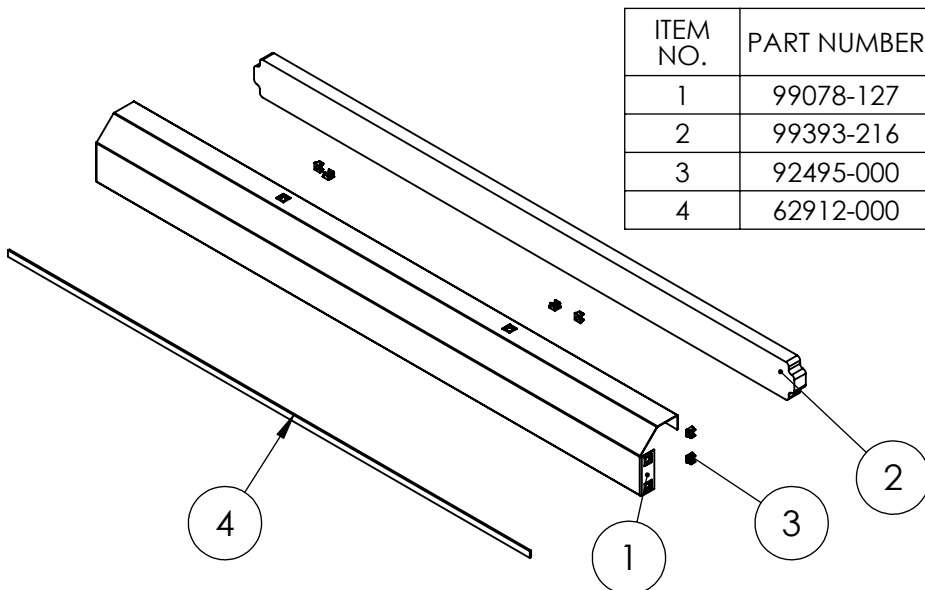
ITEM NO.	PART NUMBER	DESCRIPTION	QTY.
1	99100-028	REAR HOUSING	1
2	99393-241	REAR TOP FOAM	1
3	92495-000	.25-20 TINNERMAN	8
4	62912-000	.500 X .125 FOAM 29.25 LONG	2
5	98313-001	WINCO LOGO	1
6	350054-5	HINGE BLACK	2
7	526-000	5/16 FLAT WASHER	4
8	16446-000	M8-1.25 NYLOCK	4
9	16248-000	.25-20 FLANGE NUT	6
10	94980-001	THREAD STUD .25-20X.625	6
11	99100-051	REAR TOP BAFFLE	1
12	99100-052	REAR BOTTOM BAFFLE	1
13	21698-001	TORX PAN HEAD SCREW #10	5
14	99393-242	REAR SIDE FOAM WITH HINGE	1
15	99393-243	REAR SIDE FOAM	1
16	99393-244	REAR SIDE FOAM TOP	1
17	99393-245	REAR SIDE FOAM WITH HINGE	1
18	99393-246	REAR BOTTOM FOAM	1
19	99393-247	REAR TOP BAFFLE FOAM	2
20	99393-248	REAR TOP FOAM	1
21	99393-249	REAR BOTTOM BAFFLE FOAM	1
22	96286-002	FLAT WASHER NYLON	5

# Housing Front End Assembly



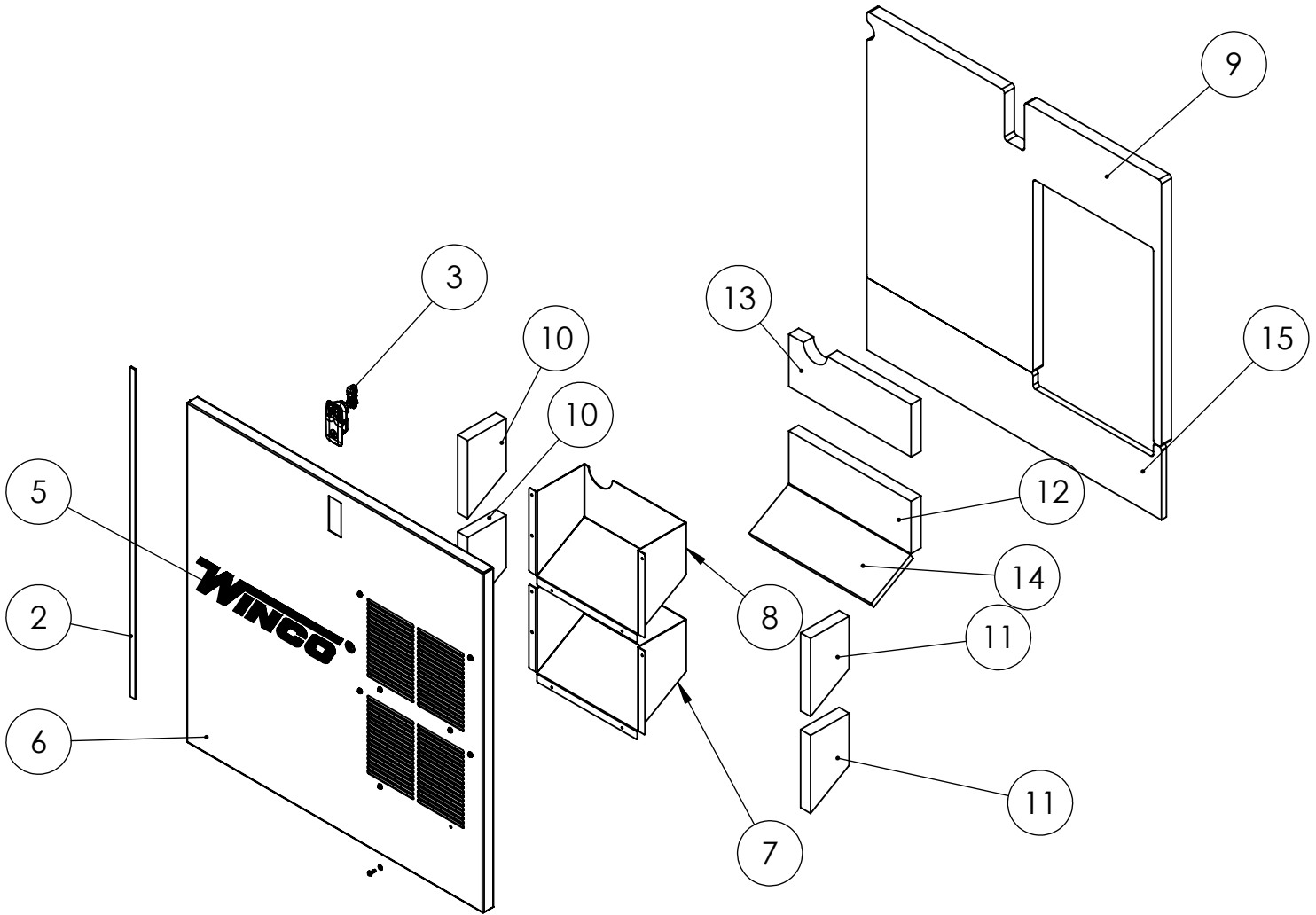
ITEM NO.	PART NUMBER	DESCRIPTION	QTY.
1	63941-001	DECAL - HOT SURFACES	3
2	92495-000	.25-20 TINNERMAN	13
3	98313-001	WINCO LOGO	1
4	99071-065	HOUSING, FRONT END	1
5	99393-161	SNORKLE BOTTOM	1
6	99393-225	SNORKEL TOP SIDE	2
7	99393-226	SNORKEL FRONT TOP	1

# Side Sill Assembly



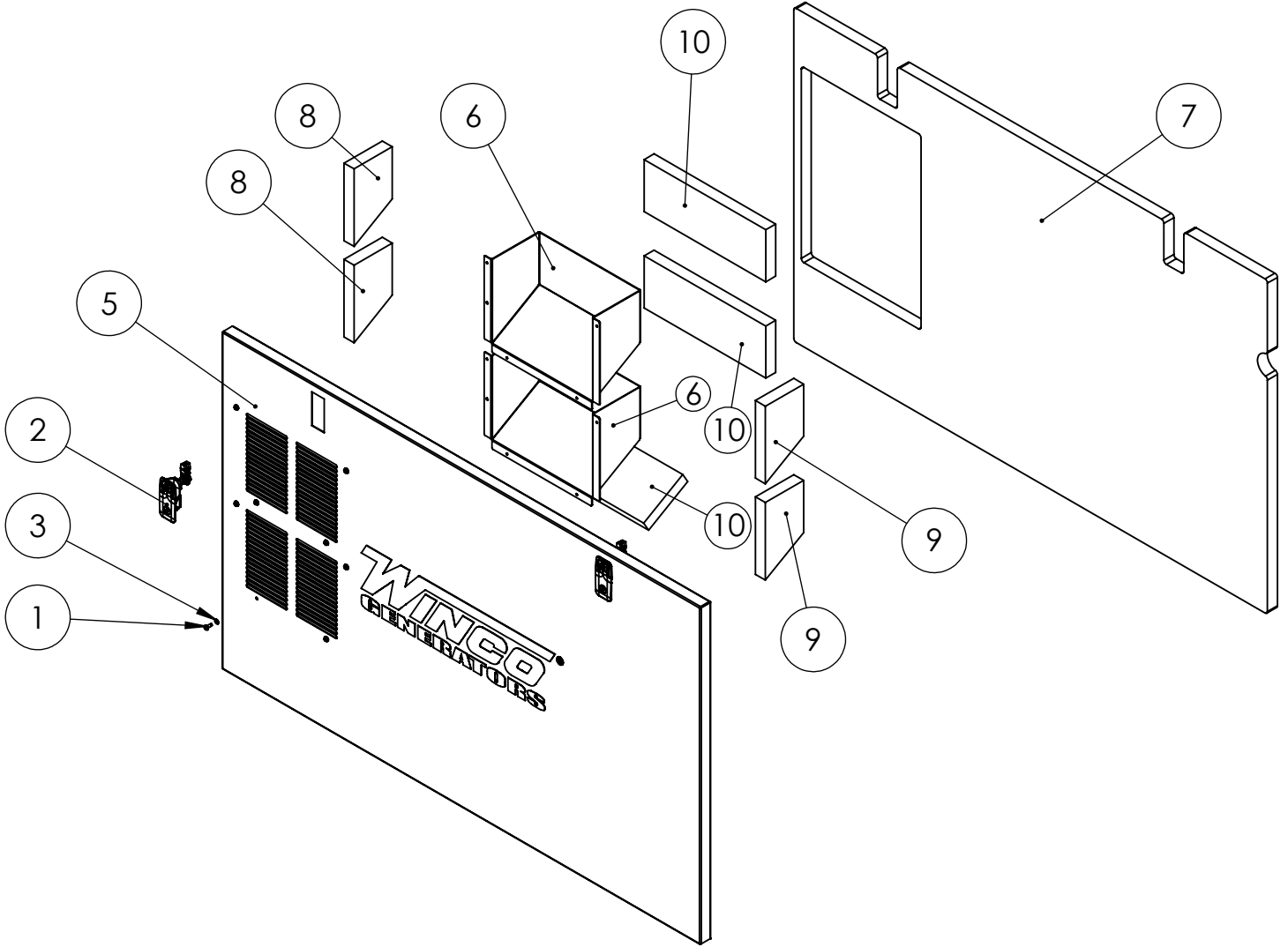
ITEM NO.	PART NUMBER	DESCRIPTION	QTY.
1	99078-127	SIDE SILL	1
2	99393-216	SIDE SILL FOAM	1
3	92495-000	.25-20 TINNERMAN	8
4	62912-000	.500 X .125 FOAM 50.125 LONG	1

# Right Side Panel



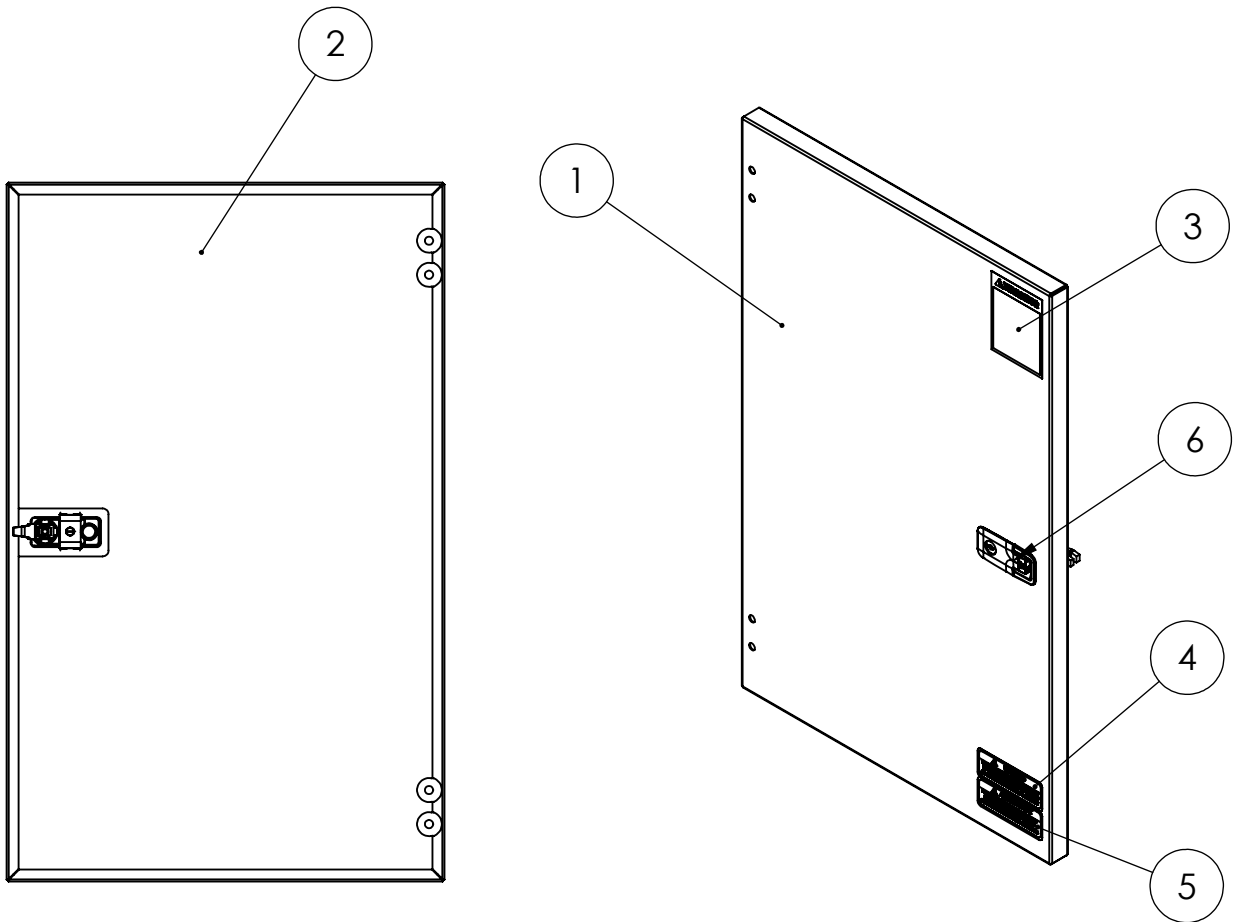
ITEM NO.	PART NUMBER	DESCRIPTION	QTY.
1	21698-001	TORX PAN HEAD SCREW #10	8
2	62912-000	FOAM STRIP 28 7/16"	1
3	95229-004	LATCH	1
4	96286-002	FLAT WASHER NYLON	8
5	97993-017	WINCO DECAL	1
6	99100-026	RIGHT SIDE PANEL	1
7	99100-029	SIDE PANEL BAFFLE	1
8	99100-054	SIDE PANEL BAFFLE, TOP, AIR FILTER SIDE	1
9	99393-217	RIGHT SIDE PANEL FOAM	1
10	99393-220	SIDE PANEL BAFFLE SIDE FOAM RIGHT	2
11	99393-221	SIDE PANEL BAFFLE SIDE FOAM LEFT	2
12	99393-222	SIDE PANEL BAFFLE SIDE FOAM BACK	1
13	99393-223	SIDE PANEL BAFFLE SIDE FOAM TOP, AIR FILTER SIDE	1
14	99393-251	SIDE PANEL BAFFLE SIDE FOAM BACK	1
15	99393-252	DOOR FOAM	1

# Left Side Panel



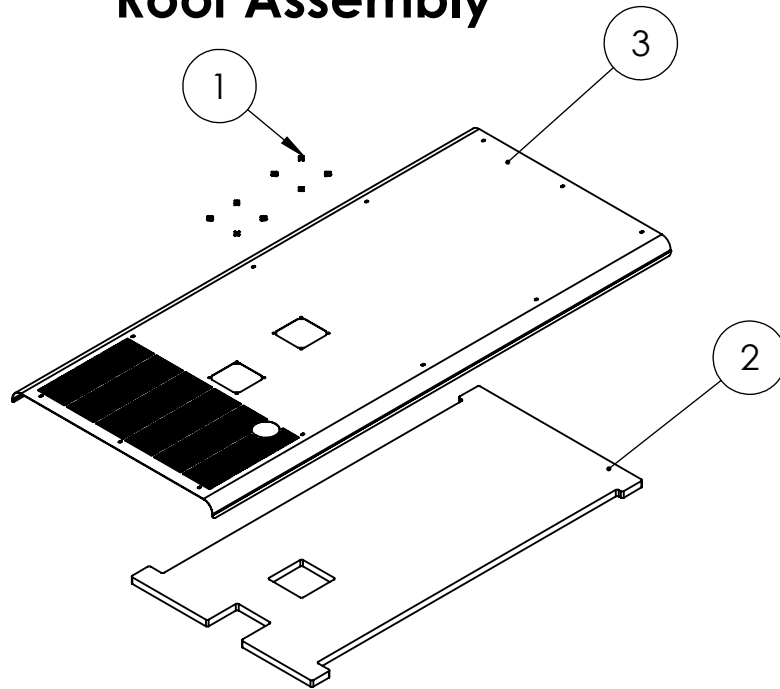
ITEM NO.	PART NUMBER	DESCRIPTION	QTY.
1	21698-001	TORX PAN HEAD SCREW #10	8
2	95229-004	LATCH	2
3	96286-002	FLAT WASHER NYLON	8
4	98313-001	WINCO LOGO	1
5	99100-027	LEFT SIDE PANEL	1
6	99100-029	SIDE PANEL BAFFLE	2
7	99393-218	LEFT SIDE PANEL FOAM	1
8	99393-220	SIDE PANEL BAFFLE SIDE FOAM RIGHT	2
9	99393-221	SIDE PANEL BAFFLE SIDE FOAM LEFT	2
10	99393-222	SIDE PANEL BAFFLE SIDE FOAM BACK	3

# Door Assembly



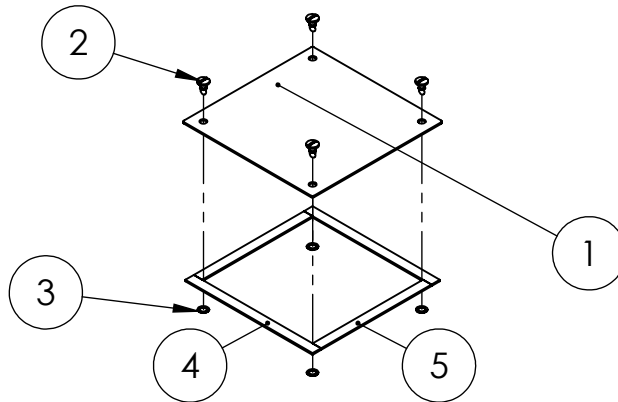
ITEM NO.	PART NUMBER	DESCRIPTION	QTY.
1	15680-061	DOOR	1
2	99393-253	DOOR FOAM	1
3	97813-000	DECAL-WARNING CYCLE CRANK	1
4	63941-003	DECAL-WARNING NO SPARK	1
5	63941-103	DECAL-WARNING NO SPARK	1
6	95229-004	LATCH	1

## Roof Assembly



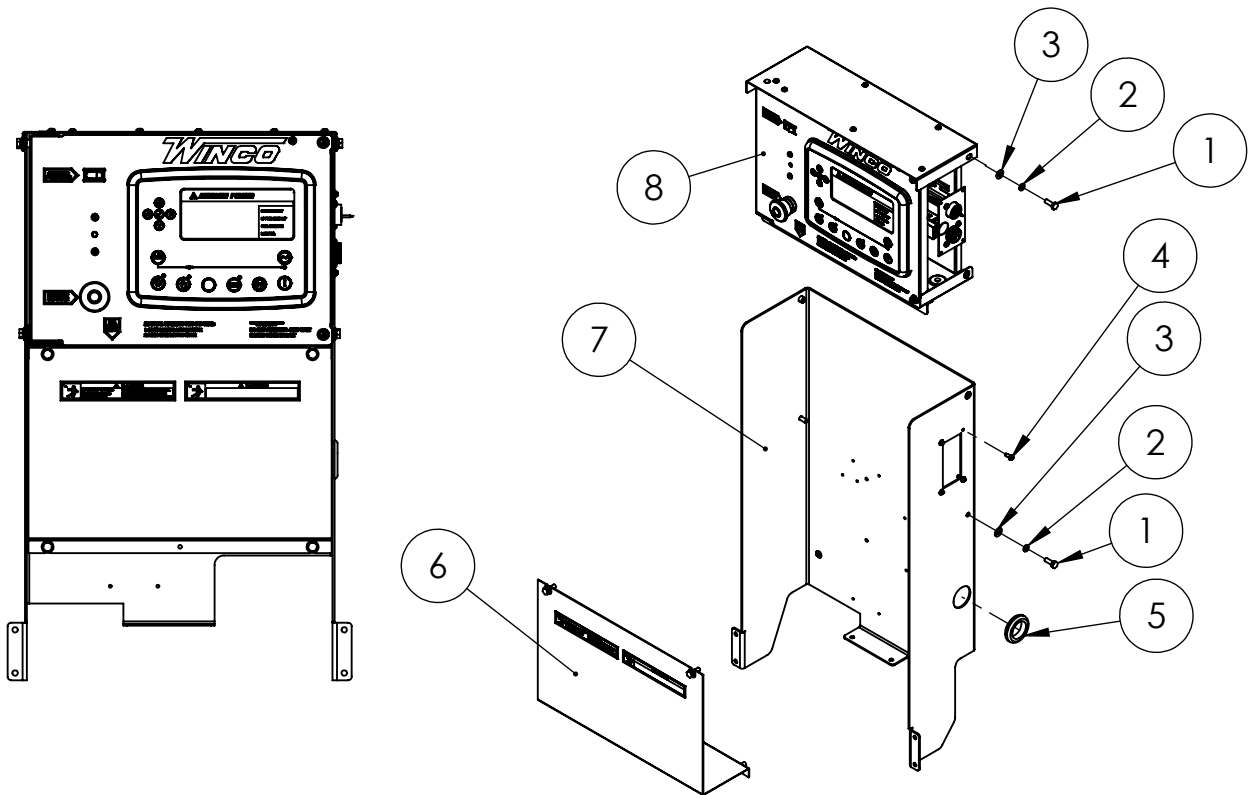
ITEM NO.	PART NUMBER	DESCRIPTION	QTY.
1	91683-000	1/4 TURN CLIP NUT	8
2	99393-215	ROOF FOAM	1
3	99515-034	ROOF	1

## Roof Cover Assembly



ITEM NO.	PART NUMBER	DESCRIPTION	QTY.
1	99060-016	ROOF COVER	1
2	91682-001	STUD 1/4 TURN SLOTTED	4
3	91684-000	RETAINER RING 1/4 TURN SPLIT RING	4
4	62912-002	FOAM STRIP 1/16 X 3/8 5.625" LONG	2
5	62912-002	FOAM STRIP 1/16 X 3/8 4.875" LONG	2

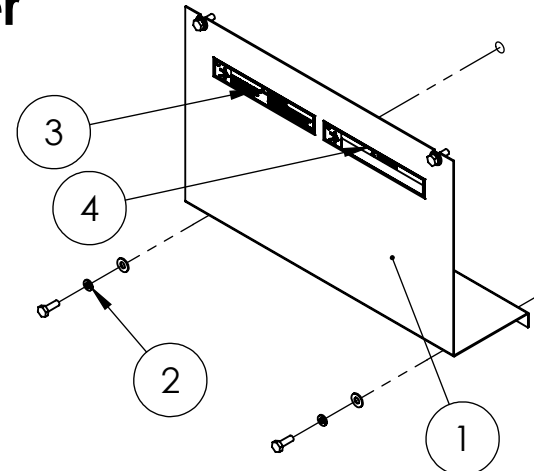
# Control Pedestal



ITEM NO.	PART NUMBER	DESCRIPTION	QTY.
1	466-000	.25-20X.75 HHB	4
2	479-000	LOCK WASHER .25IN ID.	4
3	512-000	.25 WASHER	4
4	21698-001	TORX PAN HEAD SCREW #10	4
5	23917-005	GROMMET 1-5/16" ID	1
6	99826-038	BATTERY CHARGER COVER	1
7	99826-145	CONTROL PEDESTAL PSS30	1
8	351891-54	CONTROLLER ASSEMBLY, DSE7310 MKII, UNIVERSAL	1

# Battery Charger Cover

ITEM NO.	PART NUMBER	DESCRIPTION	QTY.
1	99826-038	BATTERY CHARGER COVER	1
2	479-000	LOCK WASHER .25IN ID.	4
3	15209-003	UL-DECAL ELECTRICAL SHOCK CAN KILL	1
4	15209-103	UL-DECAL ELECTRICAL SHOCK CAN KILL	1
5	466-000	.25-20X.75 HHB	4
6	512-000	.25 WASHER	4

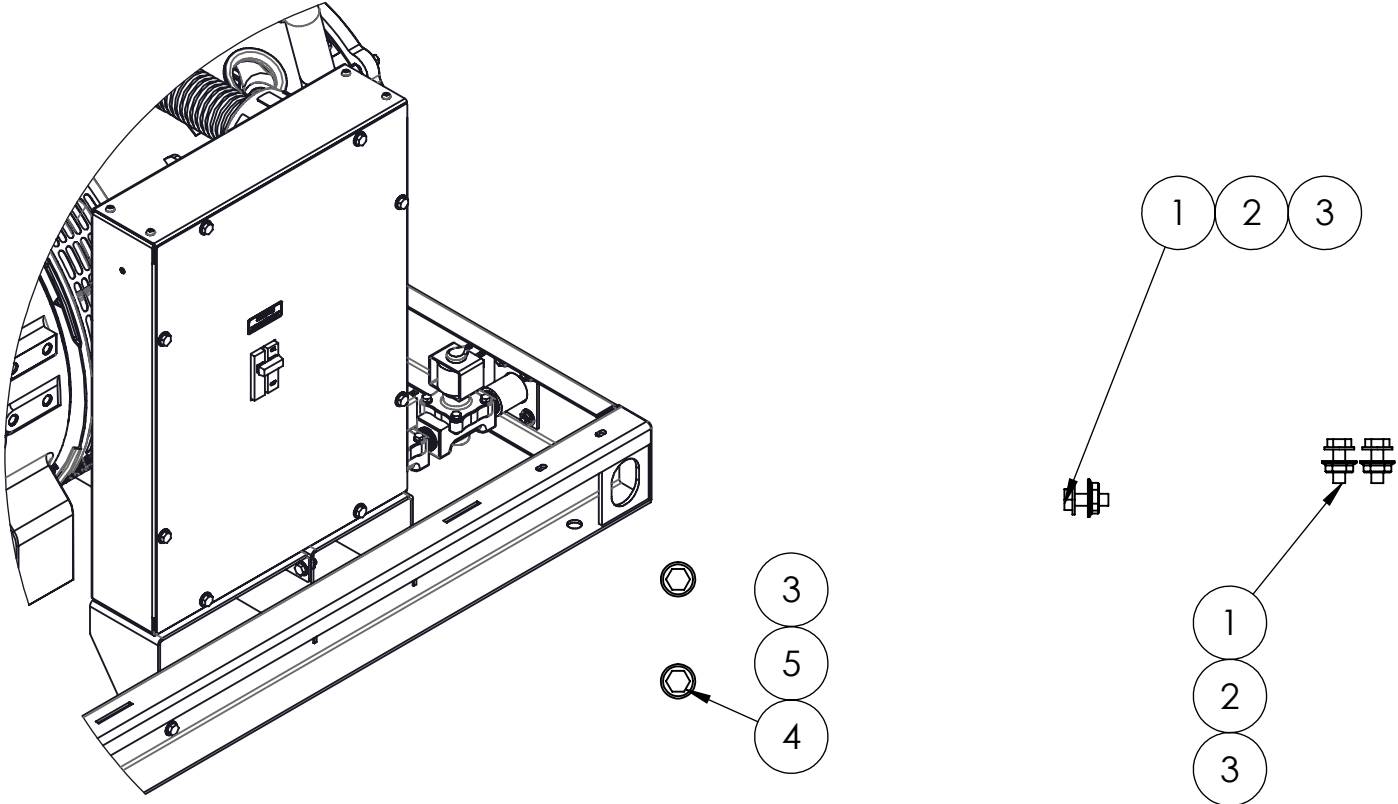




## Controls Continued

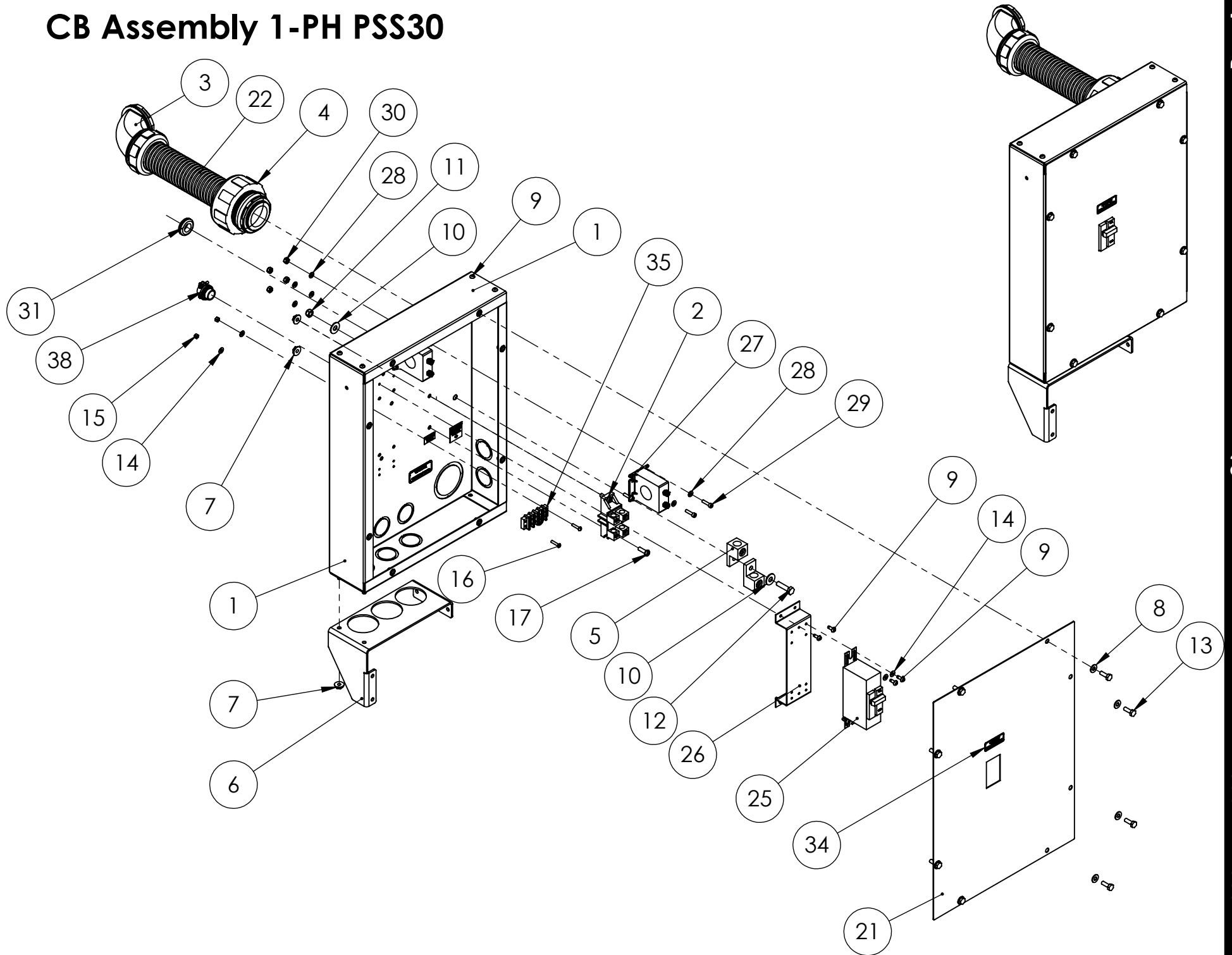
ITEM NO.	PART NUMBER	DESCRIPTION	QTY.
1	425-000	#6 FLATWASHER	8
2	479-000	LOCK WASHER, .25" SPLIT	2
3	512-000	.25 WASHER	2
4	598-000	#10 WASHER	6
5	638-000	HEX NUT, .25IN	2
6	2489-003	DIN RAIL FUSE HOLDER 1-1/4 X 1/4IN	5
7	16600-005	DSE MKII ADVANCE POWER LOGO INSERT	1
8	16601-007	DSE 8610 MKII LIGHT LEGEND CARD INSERT	1
9	21698-001	TORX PAN HEAD SCREW #10	19
10	23917-002	GROMMET, .375ID X 1	2
11	24988-000	SCREW 6-32 X 1/2 BIND	4
12	48602-003	TERMINAL FEMALE 16-14 AWG .250 TAB	3
13	51802-000	NUT HEX #6-32 NYLOCK	4
14	61898-000	TERMINAL FLAG 16/14AWG .250	2
15	63941-004	DECAL FUSE WARNING (ENGLISH)	1
16	64089-000	SPST, ROCKER SWITCH	2
17	64551-005	DIN RAIL 9.5"	1
18	80623-009	TERMINAL BLOCK, DIN MOUNTED, SPRING CAGE	12
19	80623-010	END BLOCK, DIN MOUNTED	3
20	80623-011	2-POLE TERMINAL BLOCK JUMPER	2
21	80623-012	3-POLE TERMINAL BLOCK JUMPER	1
22	94980-003	THREAD STUD .25-20 X .750	2
23	95064-006	FUSE AGC 10 AMP	1
24	95064-008	FUSE AGC 2 AMP	3
25	95064-000	FUSE AGC 3 AMP	1
26	96286-001	1/4" NYLON WASHER	4
27	96923-001	TERMINAL, SOCKET, 18-16AWG	10
28	96923-101	PLUG TERMINAL	4
29	96924-001	TERMINAL, PIN, 18-16AWG	16
30	96925-002	14 PIN CONNECTOR	1
31	96925-006	16 PIN CONNECTOR	1
32	97517-001	RHEOSTAT	1
33	99783-001	SWITCH, PUSH-PULL	1
34	99783-002	SWITCH CONTACT	1
35	351095-16	DECAL, FUSES AND TERMINAL BLOCKS	1
36	351112-29	DEEP SEA ELECTRONICS 7310 MKII	1
37	351900-36	RHEOSTAT MOUNTING BRACKET	1
38	351900-42	DIN RAIL MOUNTING PLATE	1
39	351900-44	COVER SUPPORT BRACKET	1
40	351900-45	DSE8610 CONTROL BOX BOTTOM	1
41	351900-47	DSE 7310 MKII FRONT PANEL	1
42	351900-51	PLUG MOUNTING PLATE	1
43	351900-52	DSE CONTROL BOX TOP	1
44	351900-53	DSE PANEL STOP	1
45	352017-001	WIRE DUCT, 8.5IN	2
46	352120-1	1/4-20 X .500 FHCS	2
47	352125-1	1/4-20 RIVET NUT 22 GA-10GA	1

# CB Assembly Installation Hardware



ITEM NO.	PART NUMBER	DESCRIPTION	QTY.
1	466-000	.25-20X.75 HHB	4
2	512-000	.25 WASHER	4
3	16248-000	.25-20 FLANGE NUT	6
4	65000-001	.25-20X.75 SS HHCS	2
5	65005-000	.25 WASHER SS	2

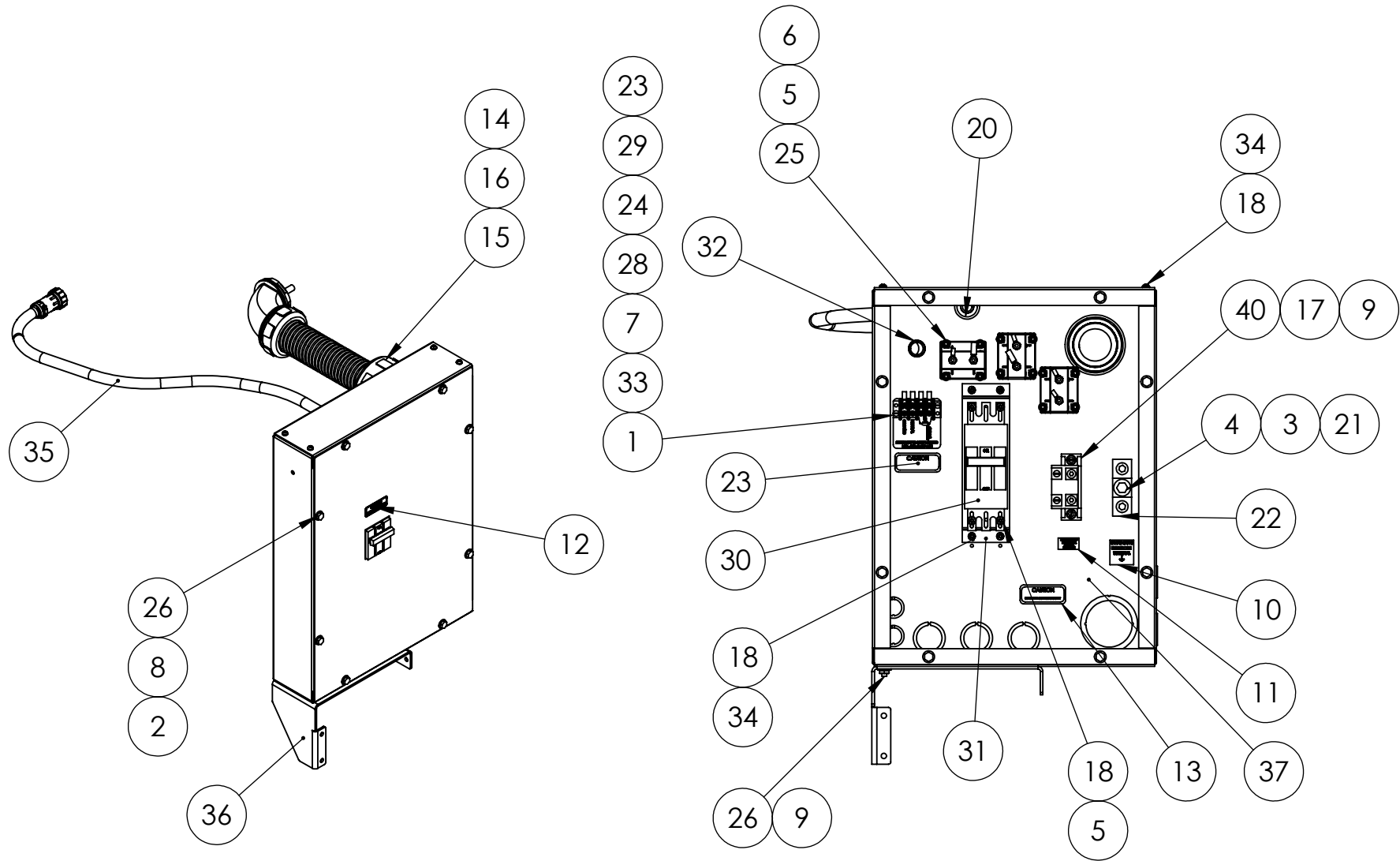
# CB Assembly 1-PH PSS30



## CB Assembly 1-PH PSS30 continued

ITEM NO.	PART NUMBER	DESCRIPTION	QTY.
1	99826-072	CB BOX	1
2	350124-3	NEUTRAL ASSEMBLY 100 AMP	1
3	16522-001	2 IN FLEXIBLE CONDUIT FITTING	1
4	16522-000	2" FLEXIBLE CONDUIT STRAIGHT BLACK	1
5	58060-000	TERMINAL GROUND LUG	2
6	99826-056	CB BOX SUPPORT	1
7	16248-000	.25-20 FLANGE NUT	4
8	512-000	.25 WASHER	10
9	21698-001	TORX PAN HEAD SCREW #10	12
10	526-000	5/16 FLAT WASHER	2
11	47136-000	HEX NUT .3125-18 NYLOK	1
12	580-000	5/16-18X1.25	1
13	466-000	.25-20X.75 HHB	10
14	511-000	#8 FLATWASHER	6
15	95985-000	NUT HEX #8-32 NYLOK	2
16	7614-000	RHMS 8-32 X .75	2
17	21253-000	RHMS 1/4-20X .75	2
18	16501-000	DECAL-FLOATING NEUTRAL	1
19	16499-000	UL-DECAL-GROUNDING-WHITE	1
20	16503-000	DECAL-COPPER CONDUCTORS ONLY	1
21	99826-070	CB COVER	1
22	16523-007	CONDUIT 9.75" LONG	1
23	99830-049	CB WIRING	1
24	22370-006	TERMINAL SPADE 16-14AWG #5-#6	6
25	58805-006	CIRCUIT BREAKER 125 AMP 2 POLE	1
26	92072-005	CB RISER	1
27	80126-003	CT 150:5 PANEL MOUNT	2
28	598-000	#10 WASHER	16
29	64872-000	SOC.HCS 10-24 X 3/4 BLK	8
30	5315-000	NUT HEX 10-24 NYLON	8
31	23917-000	GROMMET .6875ID X 1	1
32	99347-020	AC HARNESS	1
33	63941-005	DECAL-CIRCUIT REMAINS ENERGIZED	1
34	16502-001	DECAL-AC POWER DISCONNECT	1
35	80623-008	TERMINAL BLOCK, 4PT, 20A	1
36	64576-020	DECAL-GFCI PROTECTED UTILITY 4P	1
37	80623-013	2 POLE TERMINAL BLOCK JUMPER	1
38	93073-000	CONNECTOR, BOX, 1/2 INCH	1

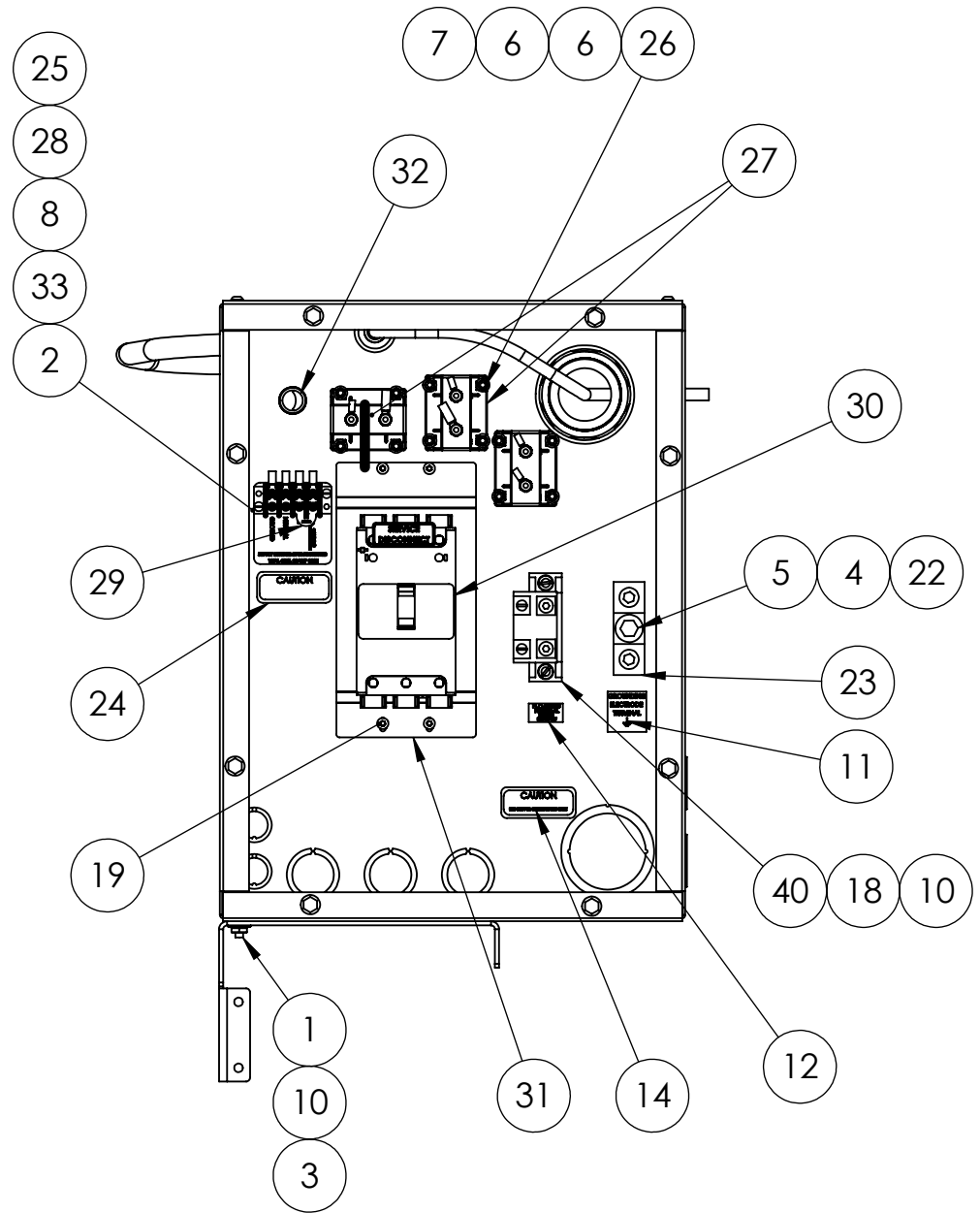
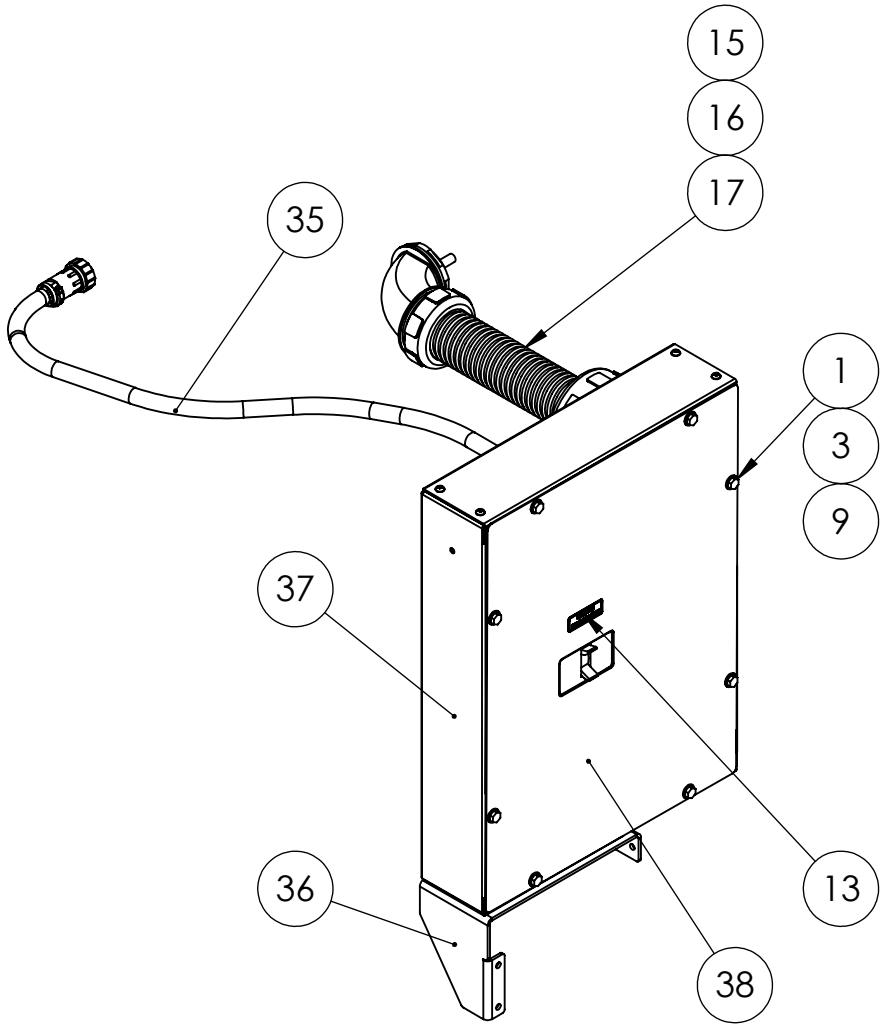
# CB Assembly 208/240V 3-PH PSS30



## CB Assembly 208/240V 3-PH PSS30 continued

ITEM NO.	PART NUMBER	DESCRIPTION	QTY.
1	511-000	#8 FLATWASHER	2
2	512-000	.25 WASHER	10
3	526-000	5/16 FLAT WASHER	2
4	580-000	5/16-18X1.25	1
5	598-000	#10 WASHER	28
6	5315-000	NUT HEX 10-24 NYLON	12
7	7614-000	RHMS 8-32 X .75	2
8	15376-001	PUSH NUT BOLT RETAINER	8
9	16248-000	.25-20 FLANGE NUT	4
10	16499-000	UL-DECAL-GROUNDING-WHITE	1
11	16501-000	DECAL-FLOATING NEUTRAL	1
12	16502-001	DECAL-AC POWER DISCONNECT	1
13	16503-000	DECAL-COPPER CONDUCTORS ONLY	1
14	16522-001	2 IN FLEXIBLE CONDUIT FITTING	1
15	16522-000	2" FLEXIBLE CONDUIT STRAIGHT BLACK	1
16	16523-007	CONDUIT 9.75" LONG	1
17	21253-000	RHMS 1/4-20X .75	2
18	21698-001	TORX PAN HEAD SCREW #10	12
19	22370-006	TERMINAL SPADE 16-14AWG #5-#6	6
20	23917-000	GROMMET .6875ID X 1	1
21	47136-000	HEX NUT .3125-18 NYLOK	1
22	58060-000	TERMINAL GROUND LUG	2
23	63941-005	DECAL-CIRCUIT REMAINS ENERGIZED	1
24	64576-020	DECAL-GFCI PROTECTED UTILITY 4P	1
25	64872-000	SOC.HCS 10-24 X 3/4 BLK	12
26	65000-001	.25-20X.75 SS HHCS	10
27	80126-002	CT 100:5 PANEL MOUNT	3
28	80623-008	TERMINAL BLOCK, 4PT, 20A	1
29	80623-013	2 POLE TERMINAL BLOCK JUMPER	1
30	82584-004	CIRCUIT BREAKER 100 AMP	1
31	92072-005	CB RISER	1
32	93073-000	CONNECTOR, BOX, 1/2 INCH	1
33	95985-000	NUT HEX #8-32 NYLOK	2
34	96286-002	FLAT WASHER NYLON	8
35	99347-019	AC HARNESS	1
36	99826-056	CB BOX SUPPORT	1
37	99826-072	CB BOX	1
38	99826-073	CB COVER	1
39	99830-047	CB WIRING	1
40	350124-3	NEUTRAL ASSEMBLY 100 AMP	1

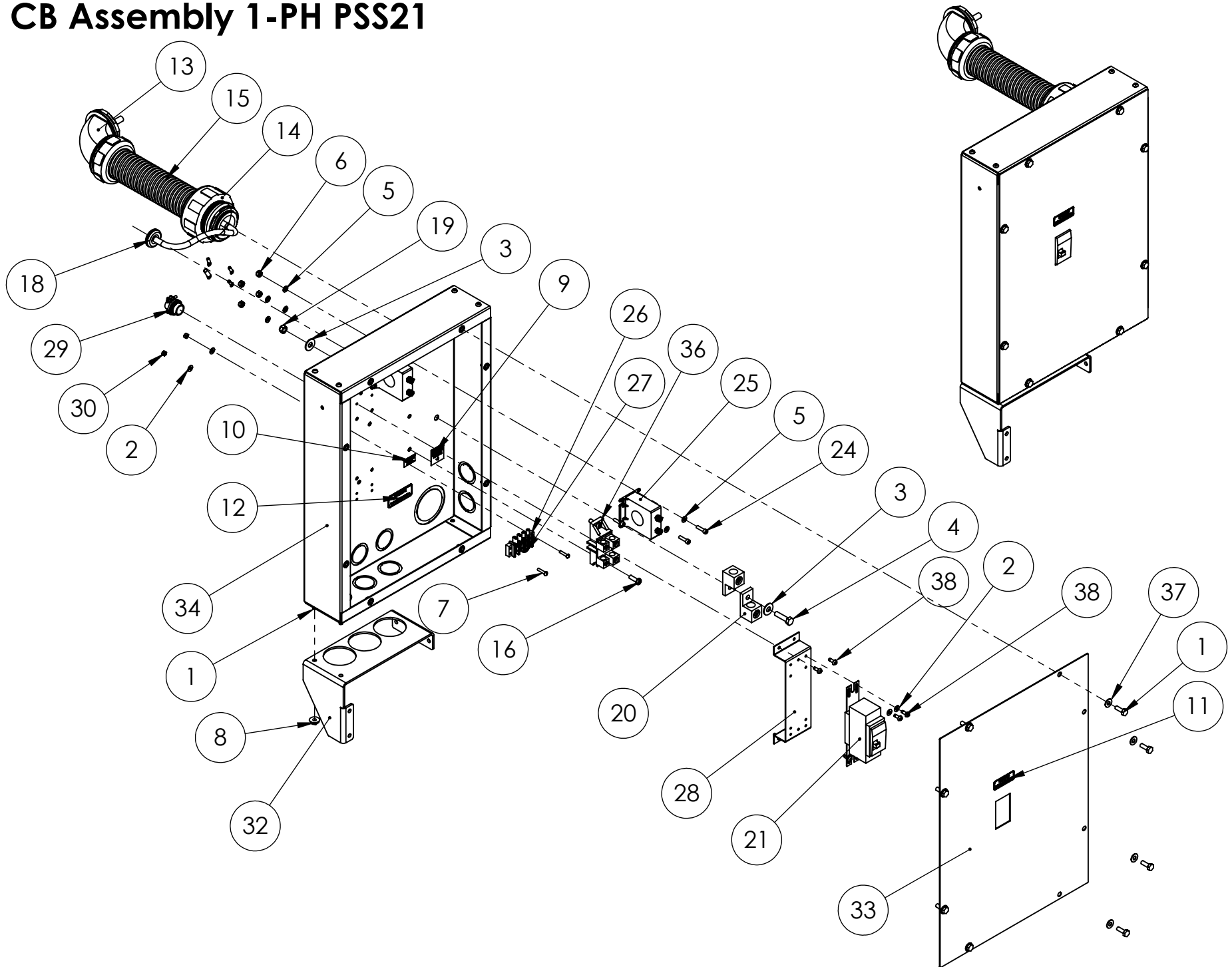
# CB Assembly 480V 3-PH PSS30



## CB Assembly 480V 3-PH PSS30 continued

ITEM NO.	PART NUMBER	DESCRIPTION	QTY.
1	466-000	.25-20X.75 HHB	10
2	511-000	#8 FLATWASHER	2
3	512-000	.25 WASHER	10
4	526-000	5/16 FLAT WASHER	2
5	580-000	5/16-18X1.25	1
6	598-000	#10 WASHER	24
7	5315-000	NUT HEX 10-24 NYLON	12
8	7614-000	RHMS 8-32 X .75	2
9	15376-001	PUSH NUT BOLT RETAINER	8
10	16248-000	.25-20 FLANGE NUT	4
11	16499-000	UL-DECAL-GROUNDING-WHITE	1
12	16501-000	DECAL-FLOATING NEUTRAL	1
13	16502-001	DECAL-AC POWER DISCONNECT	1
14	16503-000	DECAL-COPPER CONDUCTORS ONLY	1
15	16522-001	2 IN FLEXIBLE CONDUIT FITTING	1
16	16522-000	2" FLEXIBLE CONDUIT STRAIGHT BLACK	1
17	16523-007	CONDUIT 9.75" LONG	1
18	21253-000	RHMS 1/4-20X .75	2
19	21698-001	TORX PAN HEAD SCREW #10	8
20	22370-006	TERMINAL SPADE 16-14AWG #5-#6	6
21	23917-000	GROMMET .6875ID X 1	1
22	47136-000	HEX NUT .3125-18 NYLOK	1
23	58060-000	TERMINAL GROUND LUG	2
24	63941-005	DECAL-CIRCUIT REMAINS ENERGIZED	1
25	64576-020	DECAL-GFCI PROTECTED UTILITY 4P	1
26	64872-000	SOC.HCS 10-24 X 3/4 BLK	12
27	80126-001	CT 50:5 PANEL MOUNT	3
28	80623-008	TERMINAL BLOCK, 4PT, 20A	1
29	80623-013	2 POLE TERMINAL BLOCK JUMPER	1
30	81097-066	CIR. BRK. 45A-3PL-600V	1
31	92072-012	CB RISER	1
32	93073-000	CONNECTOR, BOX, 1/2 INCH	1
33	95985-000	NUT HEX #8-32 NYLOK	2
34	96286-002	FLAT WASHER NYLON	4
35	99347-019	AC HARNESS	1
36	99826-056	CB BOX SUPPORT	1
37	99826-072	CB BOX	1
38	99826-095	CB COVER	1
39	99830-048	CB WIRING	1
40	350124-3	NEUTRAL ASSEMBLY 100 AMP	1

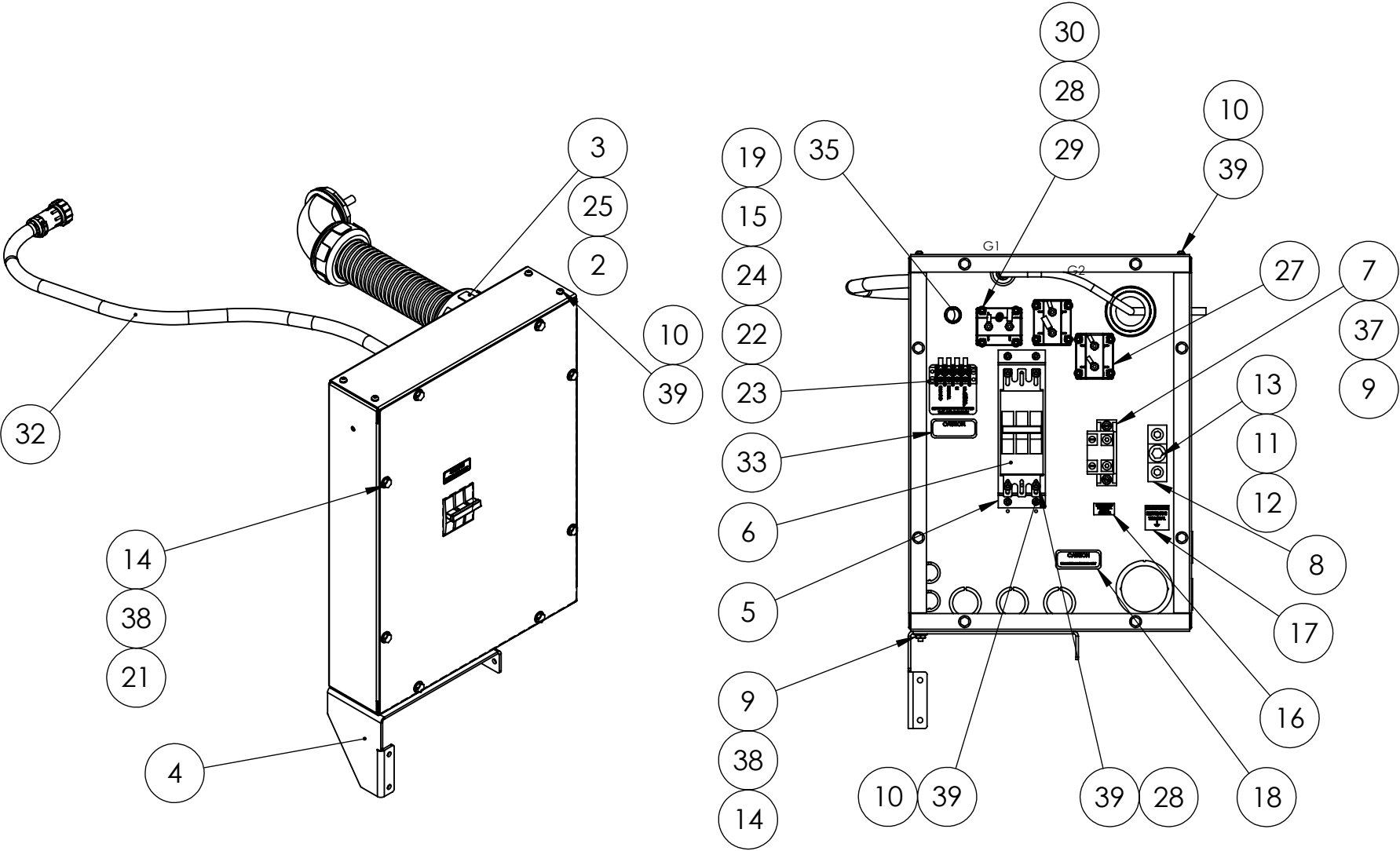
# CB Assembly 1-PH PSS21



## CB Assembly 1-PH PSS21 continued

ITEM NO.	PART NUMBER	DESCRIPTION	QTY.
1	466-000	.25-20X.75 HHB	10
2	511-000	#8 FLATWASHER	6
3	526-000	5/16 FLAT WASHER	2
4	580-000	5/16-18X1.25	1
5	598-000	#10 WASHER	16
6	5315-000	NUT HEX 10-24 NYLON	8
7	7614-000	RHMS 8-32 X .75	2
8	16248-000	.25-20 FLANGE NUT	2
9	16499-000	UL-DECAL-GROUNDING-WHITE	1
10	16501-000	DECAL-FLOATING NEUTRAL	1
11	16502-001	DECAL-AC POWER DISCONNECT	1
12	16503-000	DECAL-COPPER CONDUCTORS ONLY	1
13	16522-001	2 IN FLEXIBLE CONDUIT FITTING	1
14	16522-000	2" FLEXIBLE CONDUIT STRAIGHT BLACK	1
15	16523-007	CONDUIT 9.75" LONG	1
16	21253-000	RHMS 1/4-20X .75	2
17	22370-006	TERMINAL SPADE 16-14AWG #5-#6	6
18	23917-000	GROMMET .6875ID X 1	1
19	47136-000	HEX NUT .3125-18 NYLON	1
20	58060-000	TERMINAL GROUND LUG	2
21	58805-005	CIR. BRK 90A-2PL-240V	1
22	63941-005	DECAL-CIRCUIT REMAINS ENERGIZED	1
23	64576-020	DECAL-GFCI PROTECTED UTILITY 4P	1
24	64872-000	SOC.HCS 10-24 X 3/4 BLK	8
25	80126-003	CT 150:5 PANEL MOUNT	2
26	80623-008	TERMINAL BLOCK, 4PT, 20A	1
27	80623-013	2 POLE TERMINAL BLOCK JUMPER	1
28	92072-005	CB RISER	1
29	93073-000	CONNECTOR, BOX, 1/2 INCH	1
30	95985-000	NUT HEX #8-32 NYLON	2
31	99347-020	AC HARNESS	1
32	99826-056	CB BOX SUPPORT	1
33	99826-070	CB COVER	1
34	99826-072	CB BOX	1
35	99830-049	CB WIRING	1
36	350124-3	NEUTRAL ASSEMBLY 100 AMP	1
37	512-000	.25 WASHER	10
38	21698-001	TORX PAN HEAD SCREW #10	12

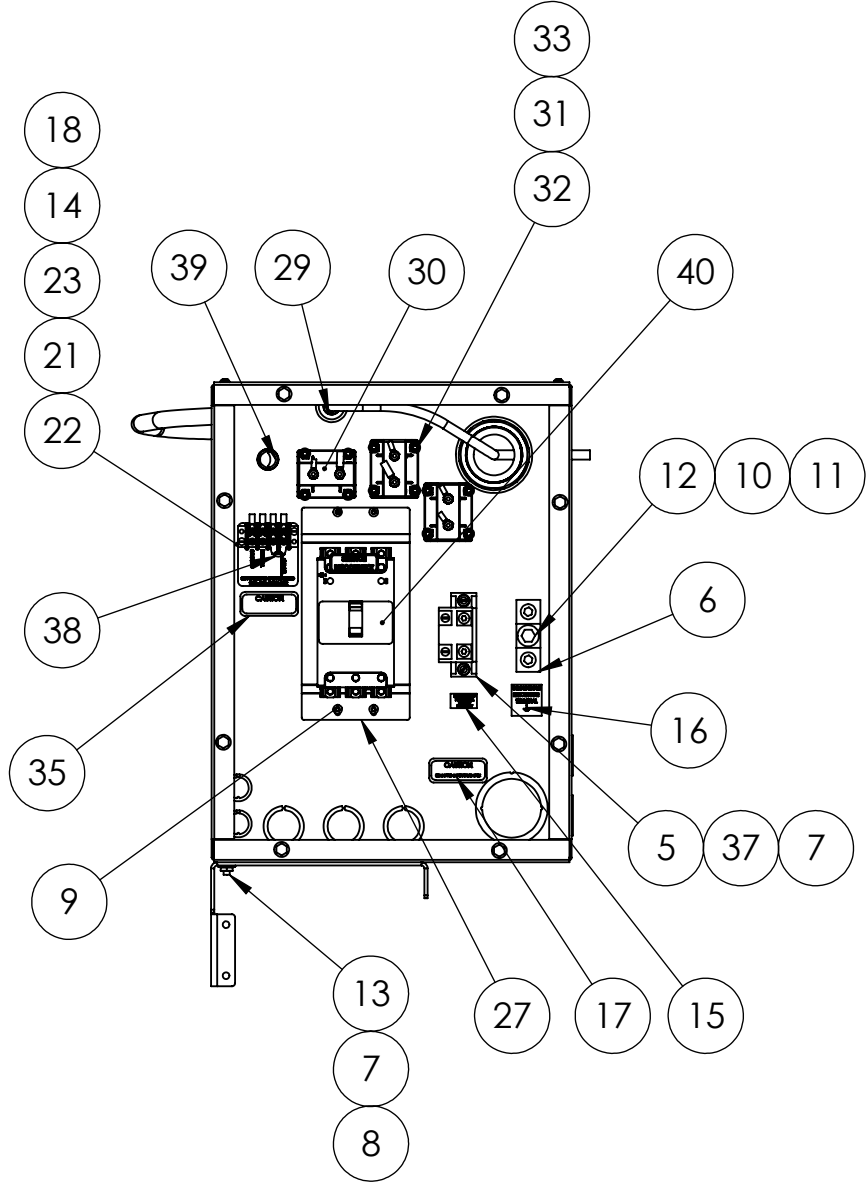
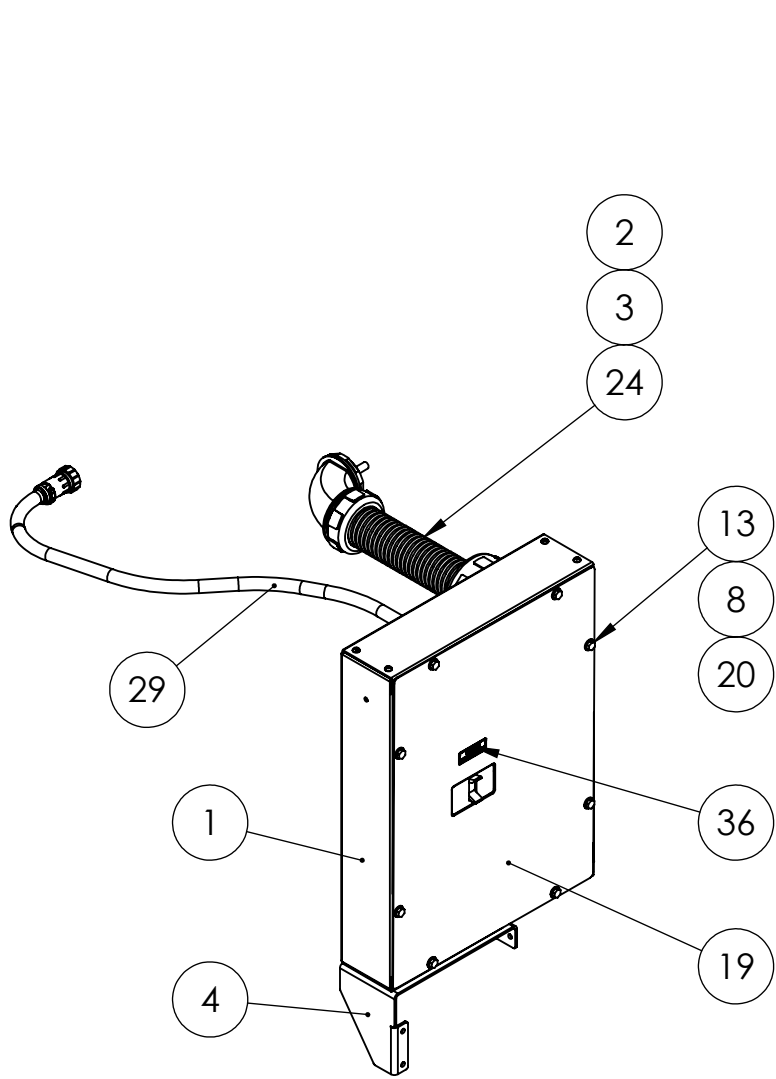
# CB Assembly 208/240V 3-PH PSS21



## CB Assembly 208/240V 3-PH PSS21 continued

ITEM NO.	PART NUMBER	DESCRIPTION	QTY.
1	99826-072	CB BOX	1
2	16522-001	2 IN FLEXIBLE CONDUIT FITTING	1
3	16522-000	2" FLEXIBLE CONDUIT STRAIGHT BLACK	1
4	99826-056	CB BOX SUPPORT	1
5	92072-005	CB RISER	1
6	82584-002	CIR.BRK.80A-3PL-240V	1
7	350124-3	NEUTRAL ASSEMBLY 100 AMP	1
8	58060-000	TERMINAL GROUND LUG	2
9	16248-000	.25-20 FLANGE NUT	4
10	96286-002	FLAT WASHER NYLON	8
11	526-000	5/16 FLAT WASHER	2
12	47136-000	HEX NUT .3125-18 NYLOK	1
13	580-000	5/16-18X1.25	1
14	466-000	.25-20X.75 HHB	10
15	80623-008	TERMINAL BLOCK, 4PT, 20A	1
16	16501-000	DECAL-FLOATING NEUTRAL	1
17	16499-000	UL-DECAL-GROUNDING-WHITE	1
18	16503-000	DECAL-COPPER CONDUCTORS ONLY	1
19	64576-020	DECAL-GFCI PROTECTED UTILITY 4P	1
20	99826-073	CB COVER	1
21	15376-001	PUSH NUT BOLT RETAINER	8
22	95985-000	NUT HEX #8-32 NYLOK	2
23	511-000	#8 FLATWASHER	2
24	7614-000	RHMS 8-32 X .75	2
25	16523-007	CONDUIT 9.75" LONG	1
26	99830-047	CB WIRING	1
27	80126-002	CT 100:5 PANEL MOUNT	3
28	598-000	#10 WASHER	28
29	64872-000	SOC.HCS 10-24 X 3/4 BLK	12
30	5315-000	NUT HEX 10-24 NYLON	12
31	23917-000	GROMMET .6875ID X 1	1
32	99347-019	AC HARNESS	1
33	63941-005	DECAL-CIRCUIT REMAINS ENERGIZED	1
34	16502-001	DECAL-AC POWER DISCONNECT	1
35	93073-000	CONNECTOR, BOX, 1/2 INCH	1
36	22370-006	TERMINAL SPADE 16-14AWG #5-#6	6
37	21253-000	RHMS 1/4-20X .75	2
38	512-000	.25 WASHER	10
39	21698-001	TORX PAN HEAD SCREW #10	12

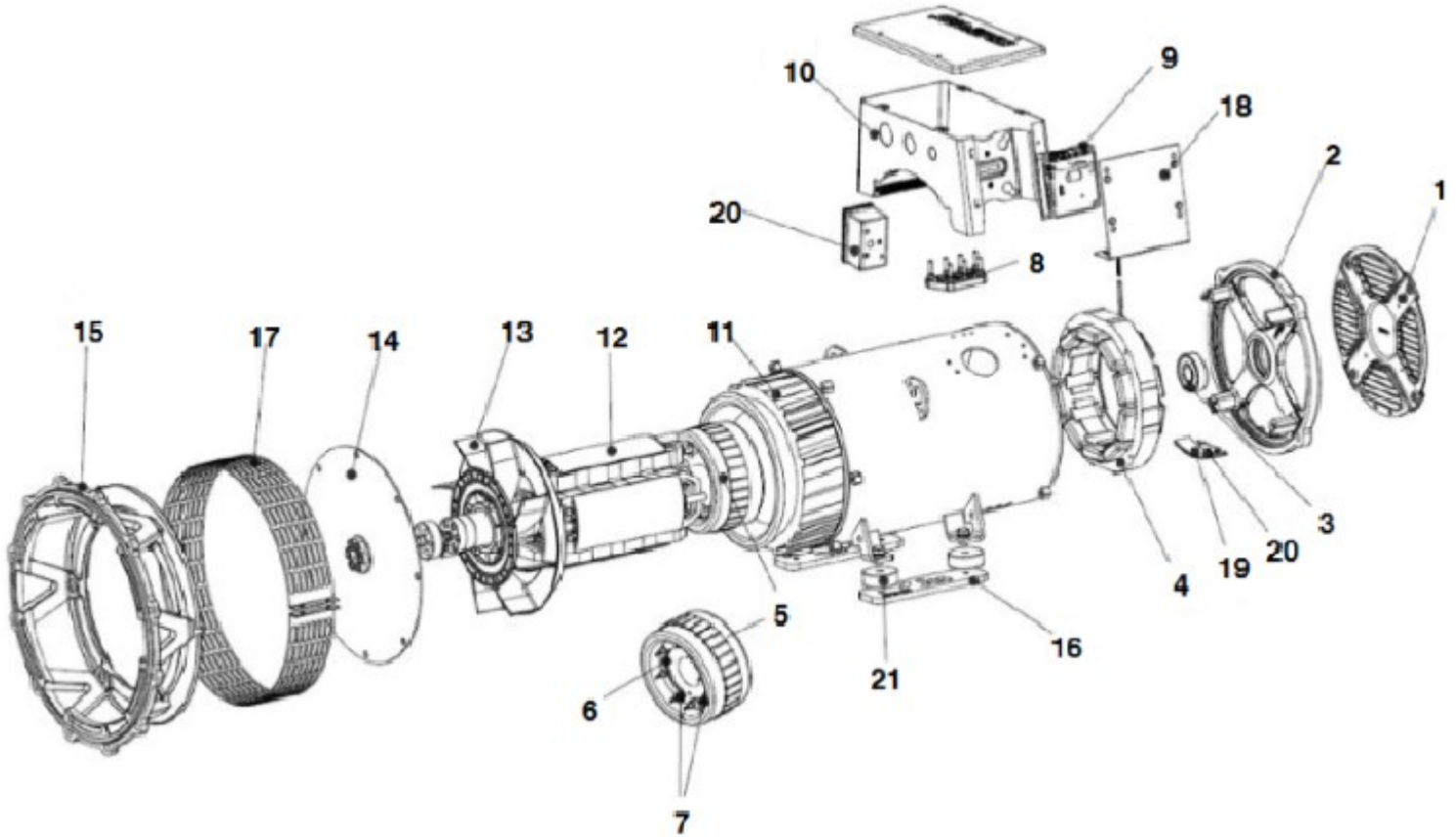
# CB Assembly 480V 3-PH PSS21



## CB Assembly 480V 3-PH PSS21 continued

ITEM NO.	PART NUMBER	DESCRIPTION	QTY.
1	99826-072	CB BOX	1
2	16522-001	2 IN FLEXIBLE CONDUIT FITTING	1
3	16522-000	2" FLEXIBLE CONDUIT STRAIGHT BLACK	1
4	99826-056	CB BOX SUPPORT	1
5	350124-3	NEUTRAL ASSEMBLY 100 AMP	1
6	58060-000	TERMINAL GROUND LUG	2
7	16248-000	.25-20 FLANGE NUT	4
8	512-000	.25 WASHER	10
9	21698-001	TORX PAN HEAD SCREW #10	8
10	526-000	5/16 FLAT WASHER	2
11	47136-000	HEX NUT .3125-18 NYLOK	1
12	580-000	5/16-18X1.25	1
13	466-000	.25-20X.75 HHB	10
14	80623-008	TERMINAL BLOCK, 4PT, 20A	1
15	16501-000	DECAL-FLOATING NEUTRAL	1
16	16499-000	UL-DECAL-GROUNDING-WHITE	1
17	16503-000	DECAL-COPPER CONDUCTORS ONLY	1
18	64576-020	DECAL-GFCI PROTECTED UTILITY 4P	1
19	99826-095	CB COVER	1
20	15376-001	PUSH NUT BOLT RETAINER	8
21	95985-000	NUT HEX #8-32 NYLOK	2
22	511-000	#8 FLATWASHER	2
23	7614-000	RHMS 8-32 X .75	2
24	16523-007	CONDUIT 9.75" LONG	1
25	99830-048	CB WIRING	1
26	22370-006	TERMINAL SPADE 16-14AWG #5-#6	6
27	92072-012	CB RISER	1
28	23917-000	GROMMET .6875ID X 1	1
29	99347-019	AC HARNESS	1
30	80126-001	CT 50:5 PANEL MOUNT	3
31	598-000	#10 WASHER	24
32	64872-000	SOC.HCS 10-24 X 3/4 BLK	12
33	5315-000	NUT HEX 10-24 NYLON	12
34	96286-002	FLAT WASHER NYLON	4
35	63941-005	DECAL-CIRCUIT REMAINS ENERGIZED	1
36	16502-001	DECAL-AC POWER DISCONNECT	1
37	21253-000	RHMS 1/4-20X .75	2
38	80623-013	2 POLE TERMINAL BLOCK JUMPER	1
39	93073-000	CONNECTOR, BOX, 1/2 INCH	1
40	81097-085	CIR. BRK. 35A-3PL-600V BDL36035	1

# Generator



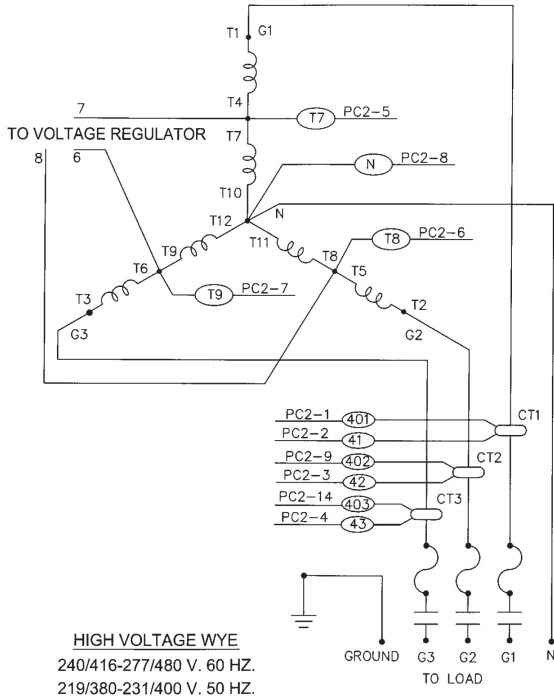
ITEM	DESCRIPTION	PSS21-3	PSS21-4, -17, -18	PSS30-3	PSS30-4, -17, -18	QTY
--	COMPLETE GENERATOR END	350023-7	350023-8	350023-3	350023-1	1
--	STAMFORD MODEL	SOL2-M1	SOL2-M1	S1L2-H1	S1L2-K1	-
--	WINDING	706	711	706	711	-
9	AVR AS540	8-101				1

Contact Winco for additional generator parts support.

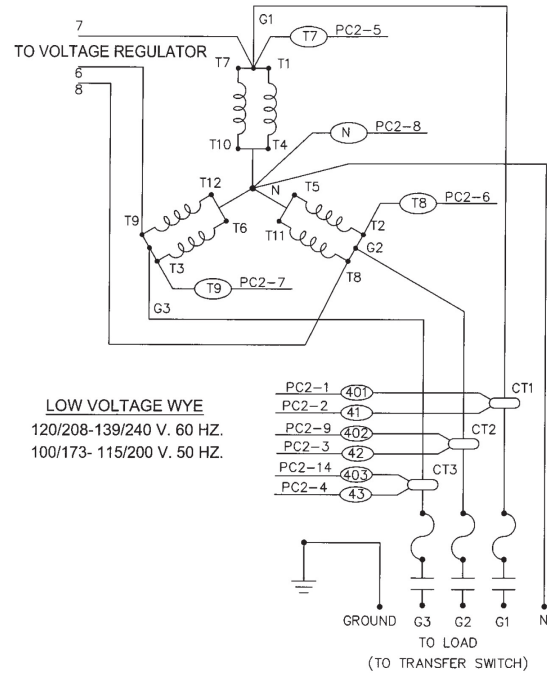
EXPECTED RESISTANCE ( $\Omega$ ) @ 22°C (+/-10%)				
MODEL	SOL1-M1 706	SOL2-M1 711	S1L2-H1 706	S1L2-K1 711
STATOR WINDING (PER PHASE SERIES CONNECTED)	0.097	0.290	0.079	0.177
ROTOR WINDING	.747		0.891	0.965
EXCITER STATOR)	15.420		16.550	15.500
EXCITER ROTOR (PER PHASE)	0.106		0.100	0.112
POSSITIVE SEQUENCE (R1)	0.121	0.362	0.099	0.221
NEGATIVE SEQUENCE (R2)	0.139	0.417	0.114	0.255
ZERO SEQUENCE (R0)	0.121	0.362	0.099	0.221
AUX WINDING	2.570	5.160	2.388	3.910

# Generator Connections

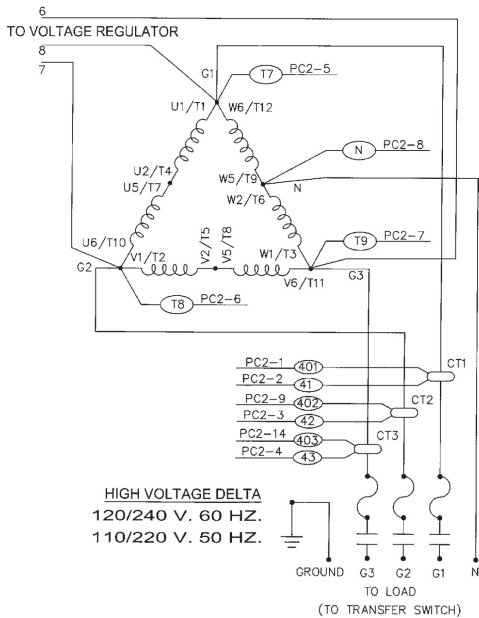
## THREE PHASE - HIGH WYE 277/480V



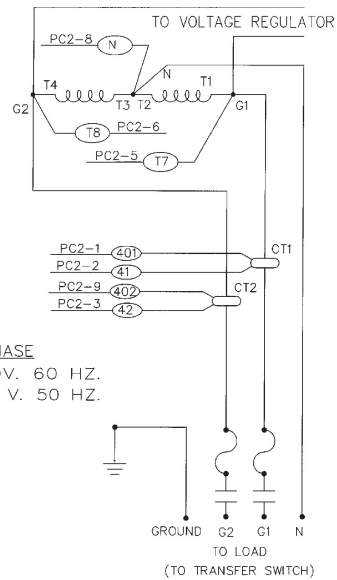
## THREE PHASE - LOW WYE 120/208V



## THREE PHASE DELTA 120/240V

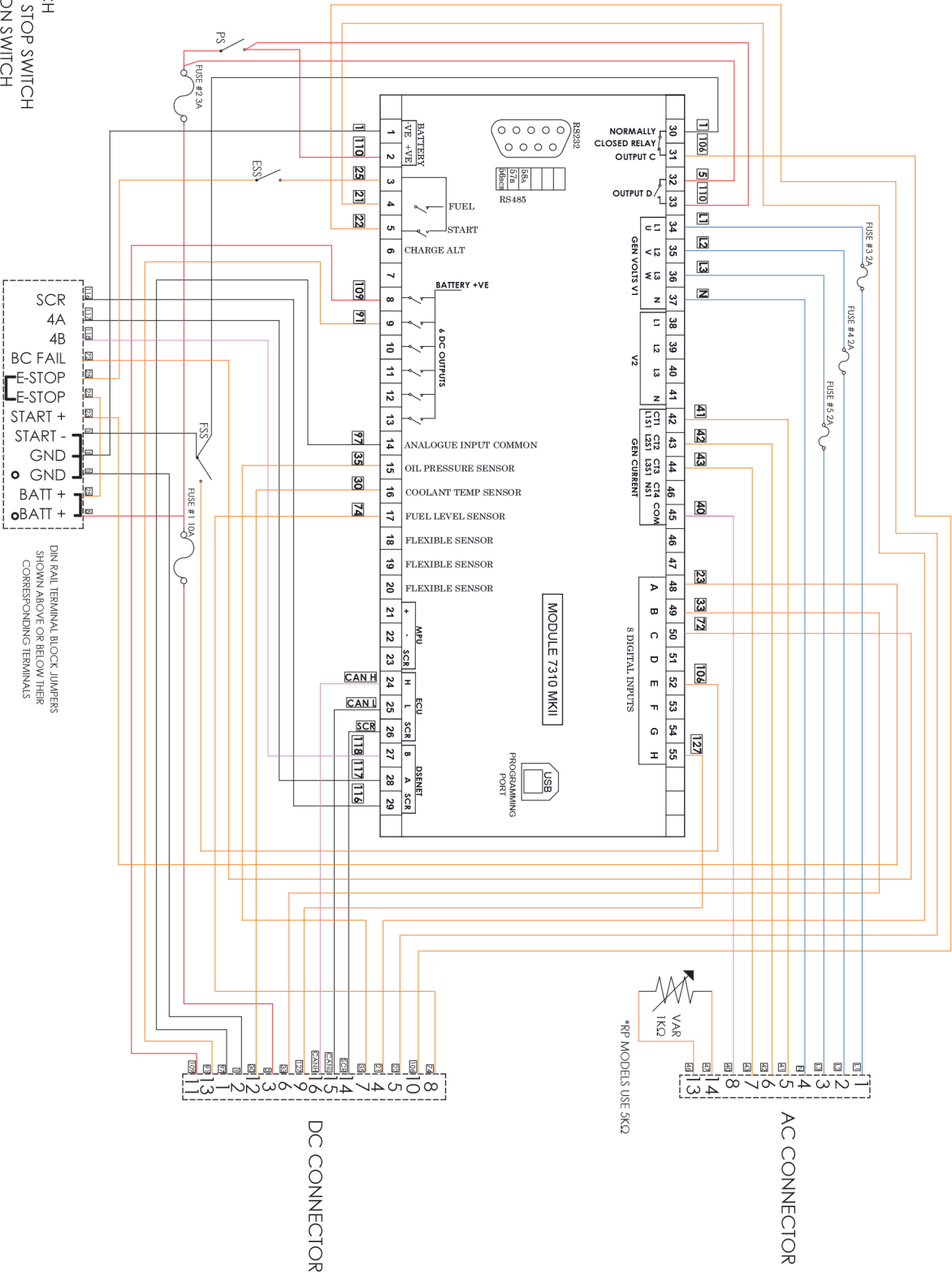


## SINGLE PHASE 120/240V



# Generator Control Schematic

LEGEND:  
 PS: POWER SWITCH  
 ESS: EMERGENCY STOP SWITCH  
 FSS: FUEL SELECTION SWITCH  
 VAR: VOLTAGE ADJUSTMENT RHEOSTAT



# Engine Wiring Schematic

