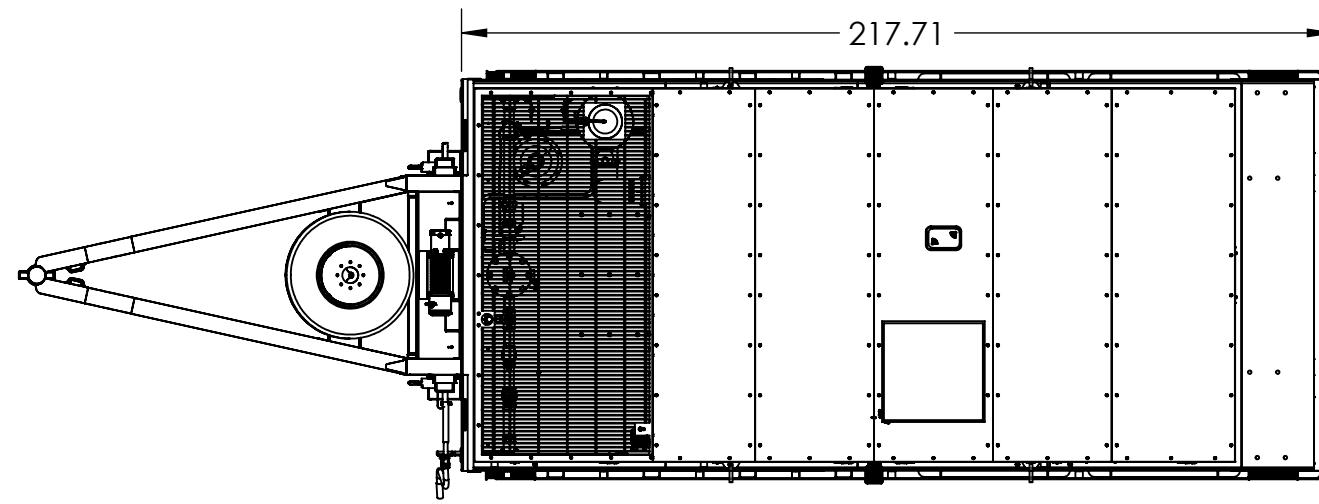
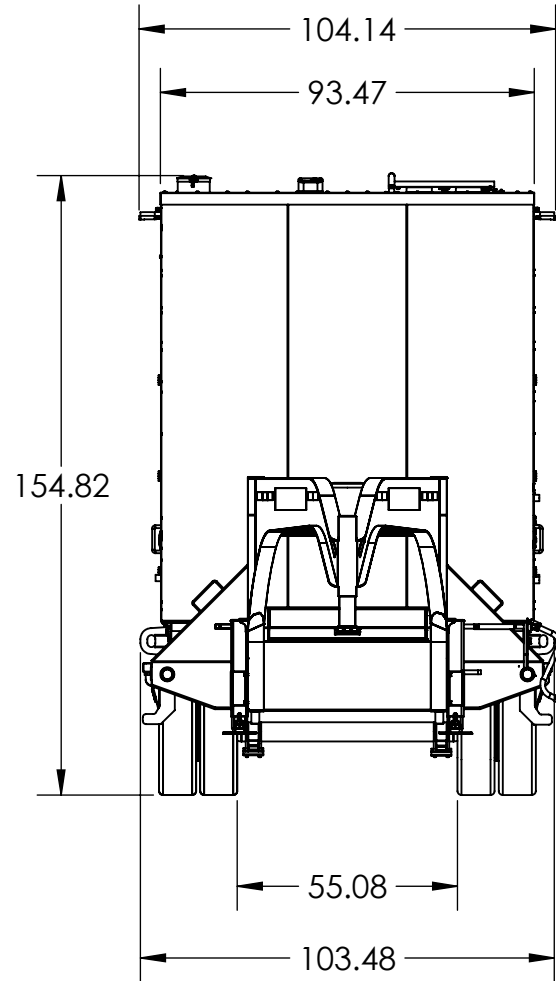


969-O

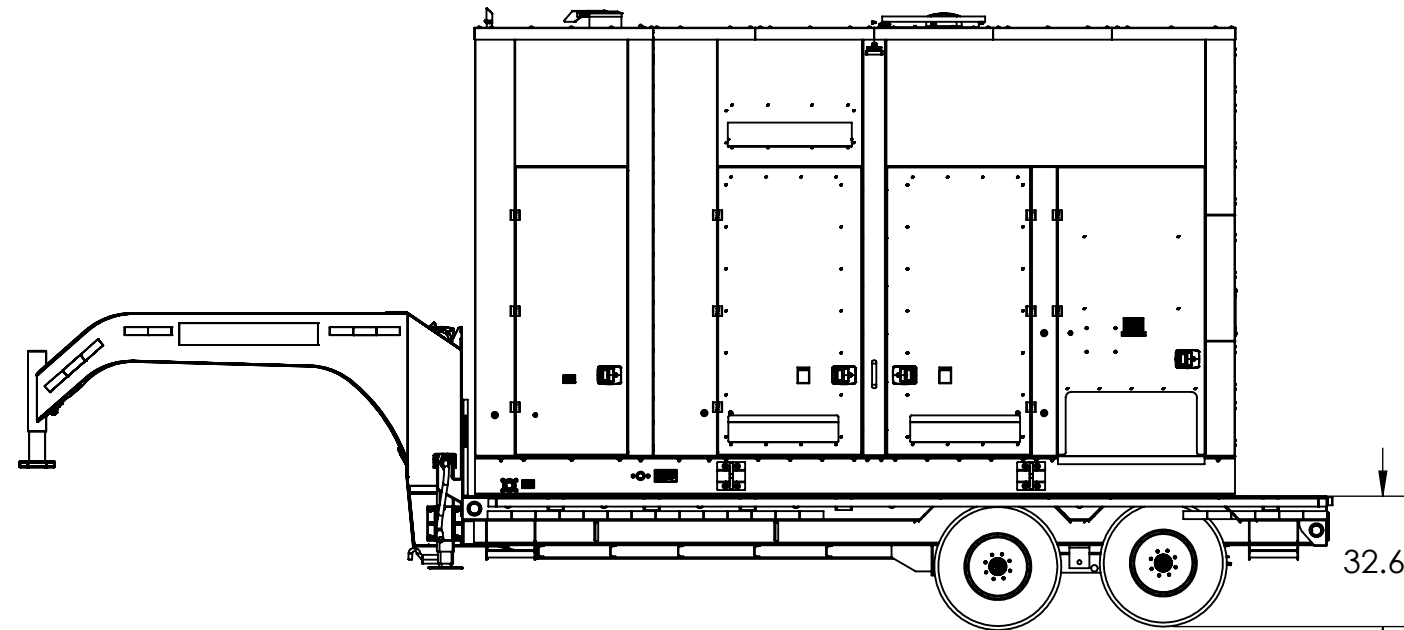
REVISIONS					
REV.	IRN	DESCRIPTION	DATE	BY	APP'D
A	GRP460	NEW PART	3/12/2026	VP	MCB



TOP

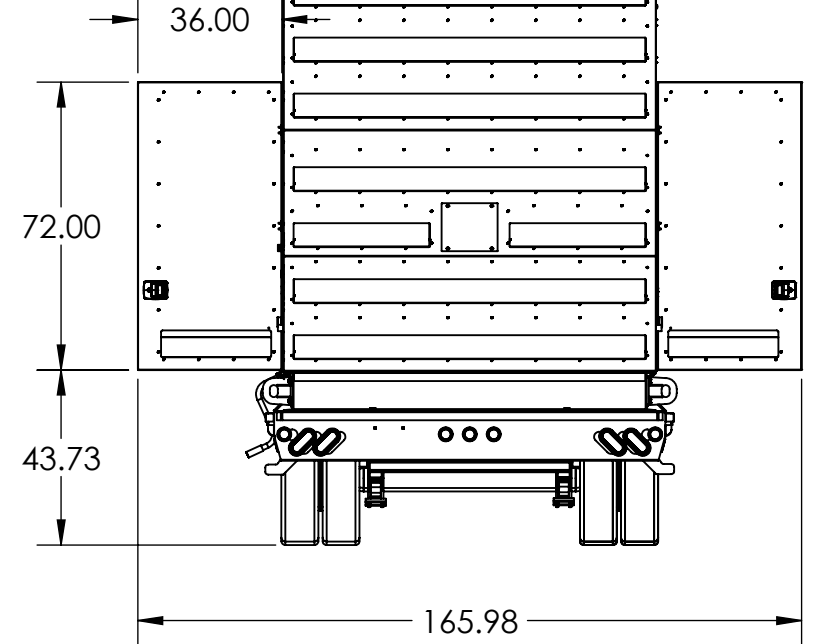


REAR

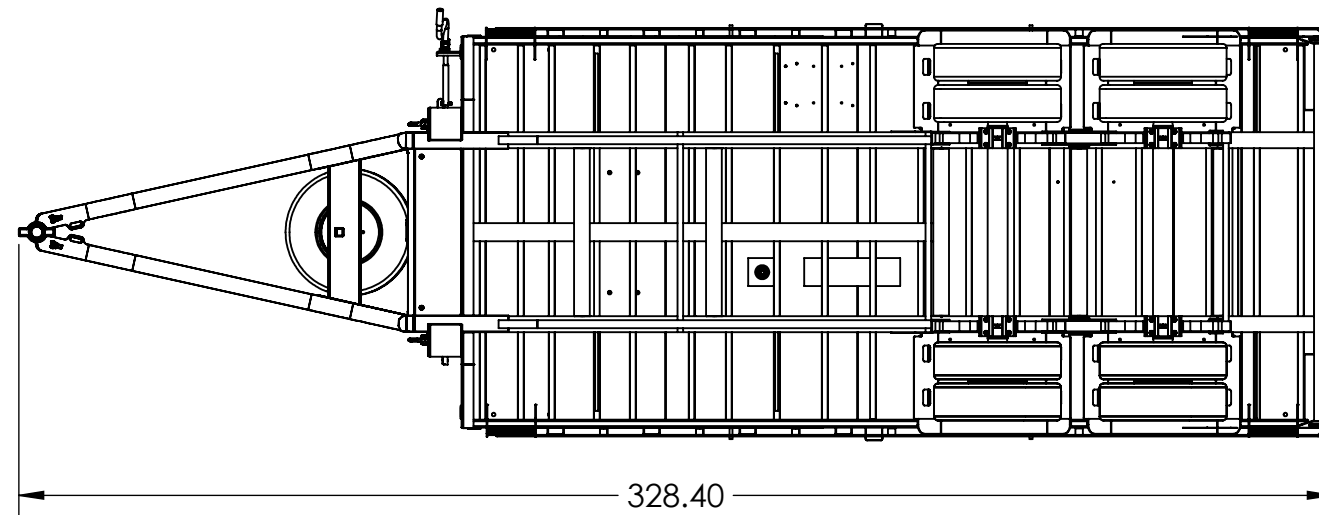


LEFT SIDE

REQUIRED
DOOR SWING
BOTH SIDE



FRONT



BOTTOM

APPROX. WEIGHT: 20265 LBS

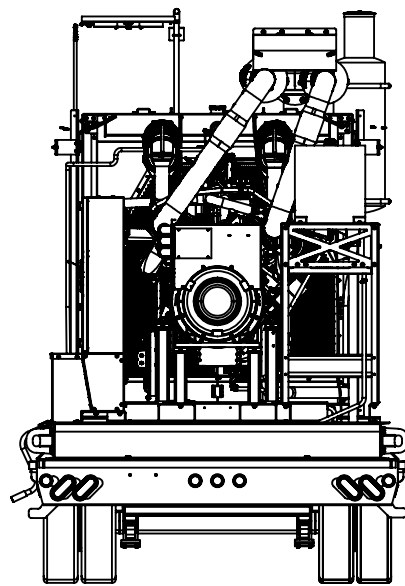
THIS DRAWING CONTAINS PROPRIETARY INFORMATION BELONGING TO WINCO. UNAUTHORIZED USE IS PROHIBITED.	TOLERANCE:	+/- 0.0625 DECIMAL +/- 1 DEG ANGULAR	TITLE:	OUTLINE DRAWING	
	WEIGHT:	LBS	PART:		O-596
	MODEL:	GRP460			
ALL DIMENSIONS INCH ALL WEIGHT POUNDS	WINCO ®			1 of 2	

969-O

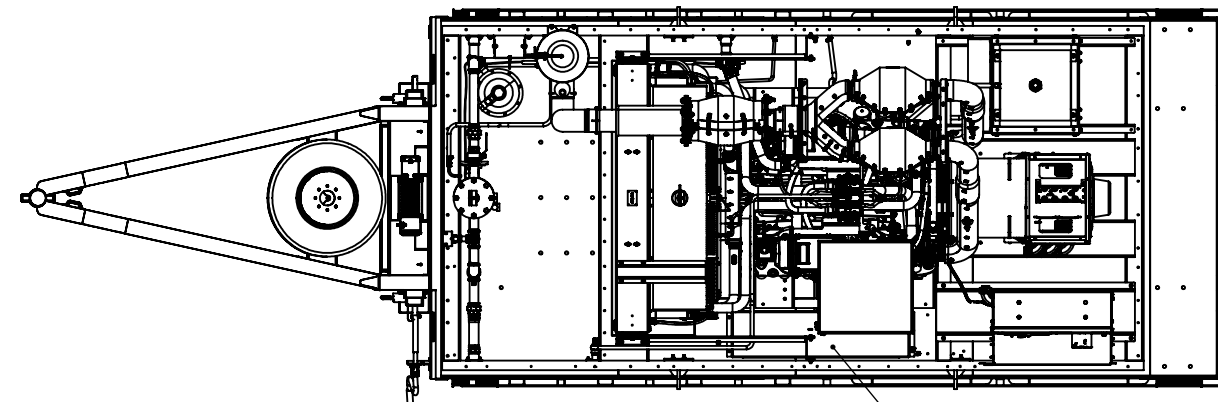
REVISIONS					
REV.	IRN	DESCRIPTION	DATE	BY	APP'D
A	GRP460	NEW PART	3/12/2026	VP	MCB

KEY COMPONENTS

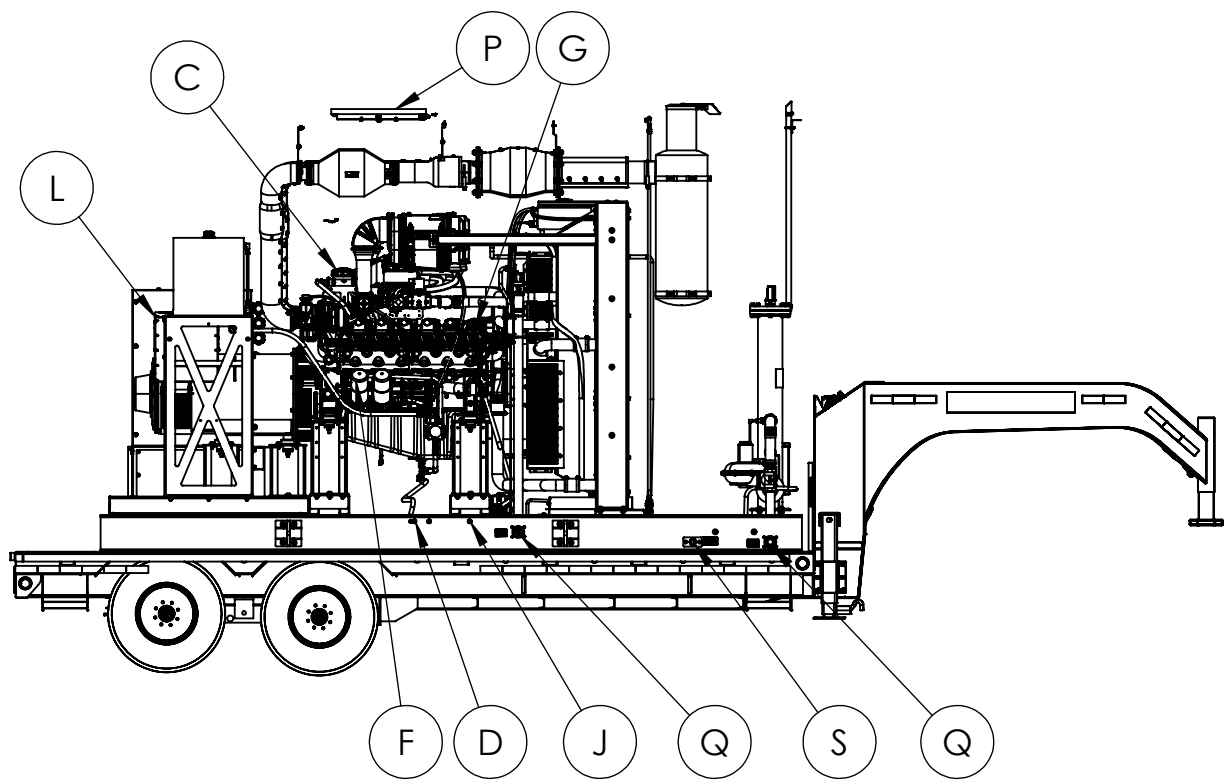
A	ENGINE CONTROL
B	MAIN LINE CIRCUIT BREAKER
C	OIL FILL
D	OIL DRAIN
E	OIL DIPSTICK
F	OIL FILTER
G	FUEL FILTER
H	FUEL INLET
I	AIR FILTER
J	COOLANT DRAIN
K	COOLANT FILL
L	AVR
M	BATTERY CHARGER
O	BATTERY
P	SOLAR BATTERY CHARGER
Q	NG INLET
R	LP INLET
S	NG DRAIN



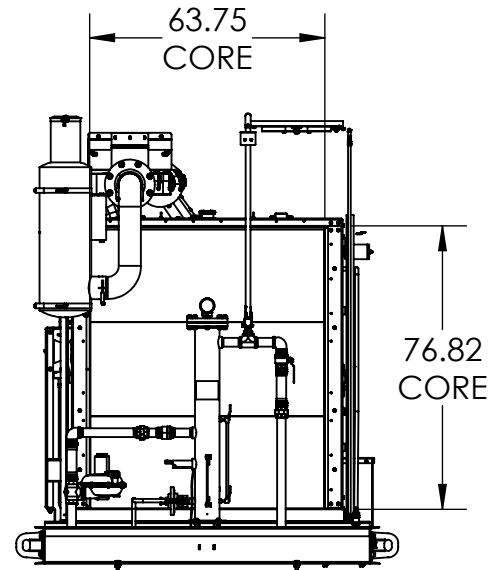
REAR



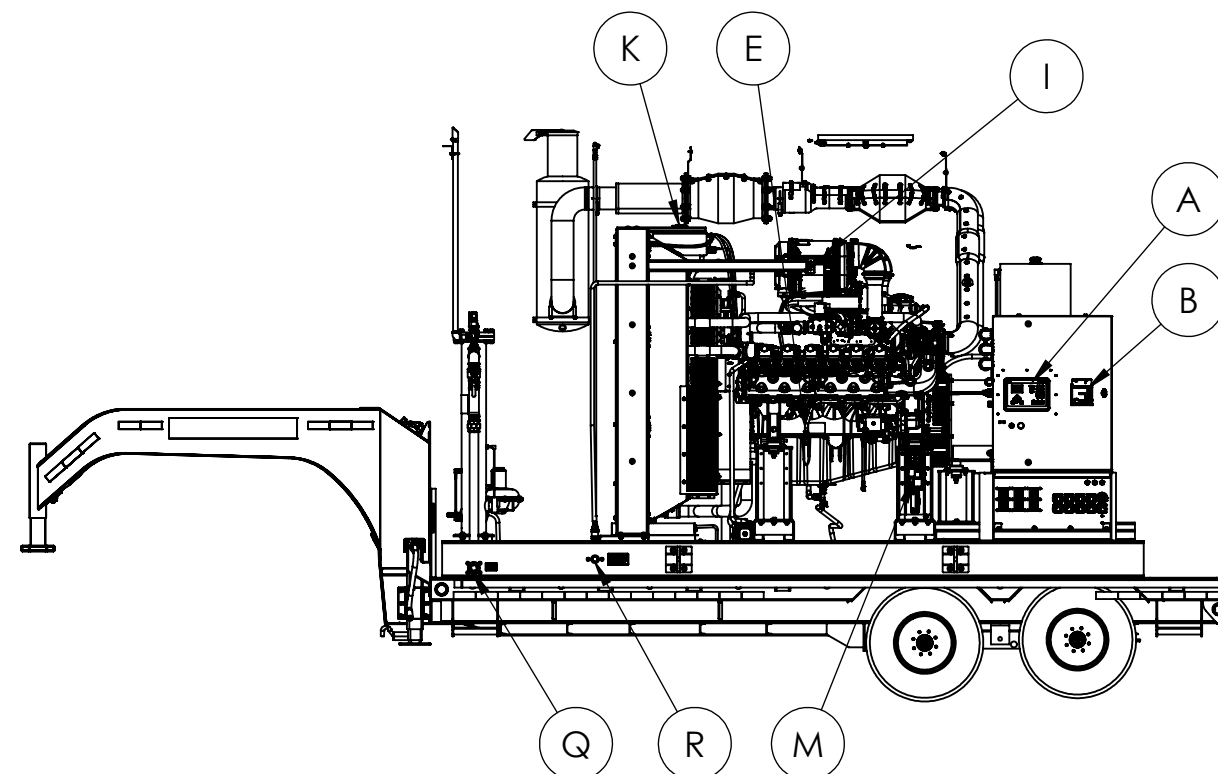
TOP



RIGHT SIDE



FRONT



LEFT SIDE

THIS DRAWING CONTAINS PROPRIETARY INFORMATION BELONGING TO WINCO. UNAUTHORIZED USE IS PROHIBITED.	TOLERANCE:	+/- 0.0625 DECIMAL +/- 1 DEG ANGULAR	TITLE:	OUTLINE DRAWING	
	WEIGHT:	LBS	PART:		O-596
	MODEL:	GRP460			
ALL DIMENSIONS INCH ALL WEIGHT POUNDS	WINCO ®				