

ROCKER SWITCH AND SOLENOID INSTALLATION

INSTRUCTIONS FOR ATV WINCHES

Congratulations on your purchase of a Champion Power Equipment Solenoid and Rocker Switch. CPE designs and builds our products to strict specifications. With proper use and maintenance, it will bring years of satisfying service.

Compatible only with Champion winch models 12003 (2000 lb.), 13005 (3000 lb.), 13004 (3000 lb.), 13502 (3000 lb.), 13050 (3000 lb.).

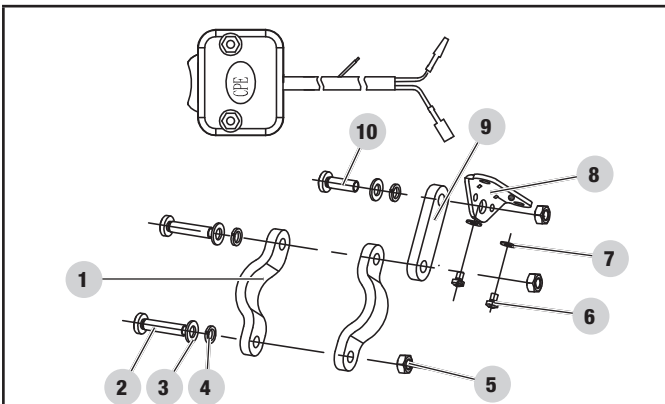
NOTICE

All Terrain Vehicles vary in design: Solenoid and switch placement will vary based on your specific model.



Assembly Instructions

1. Attach switch base plate (#8) to the bottom of the rocker switch using bolts (#6) and washers (#7).
2. Using bolt (#10) attach extension plate to plate (#8) with bolt (#10) and one washer, lock washer and nut (#3, 4, 5).
3. Place one handle bar plate (#1) on each side of the extension plate and place one bolt (#2) through all three plates with a washer and lock washer. Place nut on bolt (Do not tighten nut).
4. Position handle bar plates around handle bar where mounting is preferred and plate bolt (#2) through the plates along with washers and nut (#3, 4, 5).
5. Tighten nuts from steps 3 and 4.



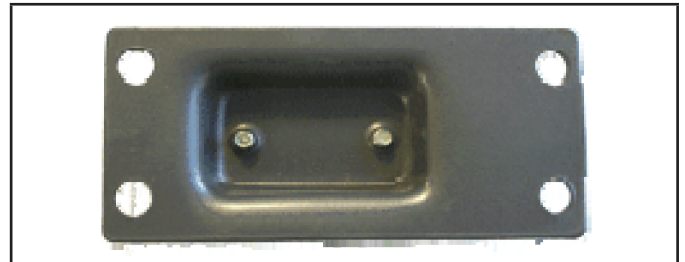
Every effort has been made to ensure the accuracy and completeness of the information in this manual. We reserve the right to change, alter and/or improve the product and this document at any time without prior notice.

NOTICE

If you have questions regarding your Champion Power Equipment product, we can help. Please call customer service at 1-877-338-0999.

Solenoid Mounting

1. Before mounting the solenoid bracket be aware of the cable lengths. The rocker switch cable is 8.4', the battery leads coming from the solenoid are 2' and the leads that go to the winch from the solenoid are 5.9'.
2. Locate a secure place on your ATV to place the mounting bracket. Select a location on your vehicle that will remain out of the way and away from any interference that may occur while vehicle is in use.
3. Drill 4 holes in desired area for mounting with an 11/32 drill bit.
4. Once the mounting plate has been secured, attach the plate to the solenoid box by sliding the solenoid box on to the plate and locking it in to place.



Winch Wiring

1. After mounting the solenoid in a secure spot run the 4' power lead with quick connect to the winch. We recommend running the leads along the frame and securing with wire ties.

NOTICE

If there is any excess cable, bind with a wire tie to prevent cable damage.

2. Place the switch on the solenoid box in the Off position before connecting the battery leads to the battery.
3. When connecting the rocker switch cable, run the rocker switch cable along the frame, securing with wire ties, allowing 6 to 8 inches of free play for handle bar movement.