



Specification Sheet

Commercial Mobile Generator Onan QG 7000 EFI



Features and Benefits

- First EFI (electronic fuel injection) generator in its class
- EFI provides improved hot and cold start
- Integrated hydraulic pump option (pictured)
- Quietest and lowest vibration generator set in its class full load
- Integrated housing design
- Enclosed muffler for ease of installation Self-diagnostic capability to simplify troubleshooting
- Digital regulation for voltage stability as loads change
- Electronic governor for voltage stability and frequency control
- 2-year limited warranty

Weight, Size and Sound Level

Weight	299 lbs	(136 kg)
Length	33.6 in	(853 mm)
Width	22.2 in	(563 mm)
Height	16.7 in	(425 mm)
Sound	70 dB(A)	Readings at 10 ft (3 m) half load

- Meets National Park Service sound level requirements (60 dB(A) @ 50 ft) for use in national parks.
- Typical installation will further reduce sound level.

Models and Ratings

Model	Fuel	Hz	RPM	Watts	Voltage	Amps	Phase	Circuit breaker
7HGJAD-6760	Gasoline	60	2445-2900	7000	120/240	29.2	1	2 pole, 30A
7HGJAD-8301*	Gasoline	60	2445-2900	7000	120/240	29.2	1	2 pole, 30A
7HGJAD-8309	Gasoline	60	2445-2900	7000	120/240	29.2	1	2 pole, 30A

- All 60 Hz models operate at 2880 r/min.
- Ratings apply up to 3000 ft (914 m) altitude, 85° F (29.4° C).
- Derating: Power output will decrease 3.5% for each 1000 ft (305 m) above 3000 ft (914 m), temperature derate not required for ambient**
- Temperatures under 120°F (49.2°C). Temperature: Power output decreases 1% for every 10 °F (5.5°C) increase.
- Ratings are at intermittent power output.
- EFI generator sets require a chassis-specific fuel system kit. See F-1106, Cummins Onan Commercial Mobile Accessories and Service Support Catalog.

* Splined shaft.

- Ambient is defined as the air temperature measured at the cooling air inlet to the set.
- Evaporative spec: For trailer applications required to meet Tier III Evaporative emissions of the California Air Resources board.
- Effective January 1, 2011, gasoline generator sets on trailers, diesel chassis or any other non-motorized mobile apparatus must have an EVAP generator set, approved tank, EVAP canister, hoses and fittings all meeting the CARB Tier 3 and EPA phase 3 standards and specifications. This law applies in all 50 states. Generator weight does not include battery charger or splined shaft.

Operating Temperature Range

	Low	High
Gasoline	-20° F (-29° C)	120° F (49° C)
LP	0° F (-18° C)	120° F (49° C)

- Ambient air temperature measurement.
- Depends upon LP tank capacity, surface area and butane content of LPG.

Standard Features

- Electronic fuel Injection (EFI) for clean, smooth running under all conditions
- Electronic governor
- Cummins Onan OHV engine
- Pressurized thru flow cooling system
- 4-point mounting system with coil spring vibration isolators
- Universal mounting tray with structural capability to support the generator set in commercial mobile applications
- Integral USDA Forest Service-approved spark-arrestor muffler
- Integral control box
- Instant one-touch stop switch
- Electronic ignition
- Self-diagnostic capability
- Hour meter
- Battery charging - 5 A
- Remote disable/continuous stop
- Start and run without AC output - engine run only
- Enclosed muffler provides noise reduction and ease of installation
- Sound-attenuated housing
- Waterproof remote connector
- Heavy-duty solenoid shift starter
- Long-life fuel filter
- Spin-on, full-flow oil filter
- Low oil pressure protection

Engine Details

- **Model:** Cummins Onan OHV EH65V gasoline engine
- **Design:** 4-cycle, OHV, 90-degree V-twin
- **Cylinders:** 2
- **Bore:** 80 mm
- **Stroke:** 65 mm
- **Displacement:** 39.8 in3 (653 cm3) Compression ratio: 8:1
- **Oil capacity:** 2.0 qt (1.9 L) including filter
- **Power (max):** At 2880 r/min: 14.0 hp
- **Cooling:** Centrifugal blower, generator set mounted for high effectiveness, pressurized system, vertical flow
- **Cooling air volume:** 60 Hz: 500 ft3/min (14.2 m3/min) at 2880 r/min. Air flow includes engine, generator set and control cooling air flow
- **Fuel system:** Replaceable dry element air cleaner Gasoline - side draft throttle body
- Remote mount electronic fuel pump with positive fuel shutoff (45 psi), maximum fuel lift 3 ft (0.9 m)
- Combustion air volume: 60 Hz: 18.9.2 ft3/min (0.53 m3/min) at 2880 r/min
- **Starting system:** Remote, 12 V, negative ground; automotive type starter with steel pinion and ring gear, automatic start disconnect, connector for remote start cable, start-stop rocker switch mounted on set control
- **Ignition system:** Electronic magneto type with resistor

Average Fuel Consumption

Gasoline	No load	Half load	Full load
7.0HGJAD	0.42 Gal/h (1.6 L/h)	0.73 Gal/h (2.8 L/h)	0.122 Gal/h (4.6 L/h)

Alternator Details

Design: Cummins Onan, revolving field, AC, 2-pole self-excited, two bearing design

Insulation system and temperature rise: Meets requirements of NEMA MG-1 and CSA C22.2, Std. 100 Motors and Generators plugs

Lubrication: Full pressure positive displacement lube oil pump, spin-on, full-flow lube oil filter, low oil pressure shutdown, dipstick

Cylinder crankcase: Alloy aluminum with iron cylinder liners cast into the block, aluminum oil base

Cylinder head: Aluminum, OHV, removable

Cooling: Direct drive centrifugal blower, cast aluminum housing for excellent heat transfer

Rotor: Laminated electrical steel assembly press-fitted to shaft, balanced; heavy insulated copper wire windings; optimized air gap for improved waveform and motor starting; Class 200 magnet wire

Stator: Laminated electrical steel assembly, skewed for improved waveform; Class 200 quadrature wire with 70% more insulation over comparable generator sets

Excitation: Capped, digital voltage regulation

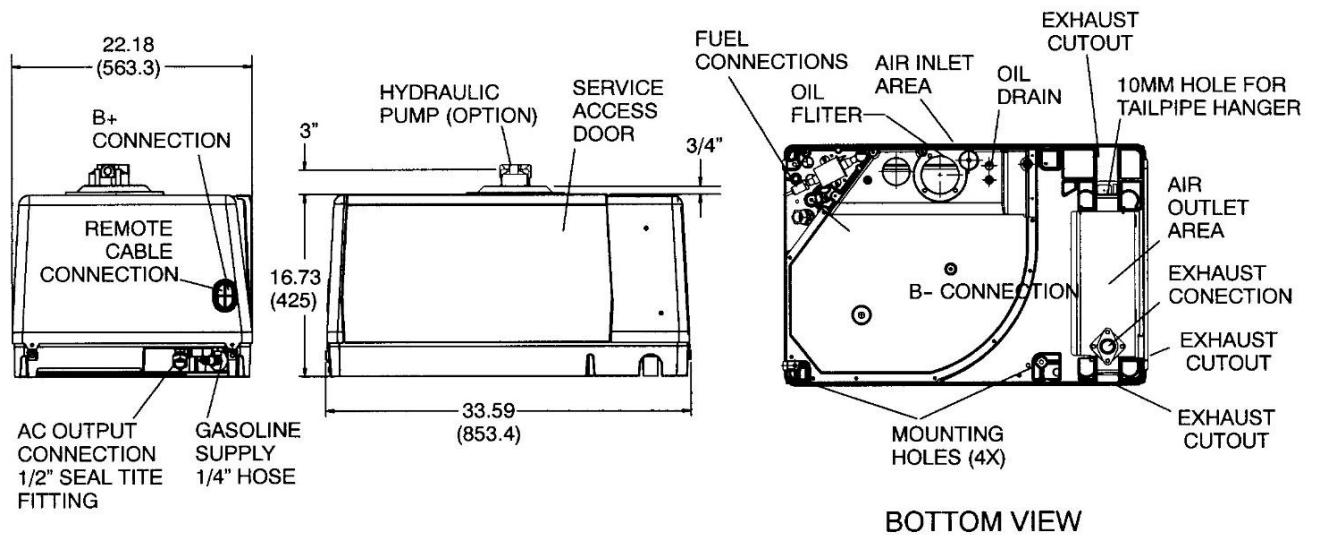
DC brushes: Electrographic; long life

Bearing: Double-sealed pre-lubricated ball bearings

Generator Set Performance

Voltage regulation	No load/Full load	2.0%	Constant load	1.7%
Frequency regulation	No load/Full load	1.7%	Constant load	1.7%

Performance you rely on.TM



Note: This outline drawing is provided for general reference only and is not intended for design or installation. For more information see Operation and Installation manuals or obtain DSA060X146 drawing from your distributor/dealer.

Accessories

- Remote control start/stop rocker switch (P/N 300-5331)
- Remote control with start/stop switch and hour meter (P/N 300-5332)
- Remote control with start/stop switch and DC voltmeter (P/N 300-5333)
- Remote control plug and wire harness 10 ft (P/N 338-3489-01), 30 ft (P/N 338-3489-02)
- Remote harness (P/N 300-4946) pigtail harness to connect to sealed remote connector
- Under floor mounting kit (P/N 405-6699)
- Energy Command auto generator start EC-AGS+ (P/N A065U664)
- Installation template (P/N 539-2057)
- Tailpipe kit 22 in (P/N 155-3481-01), 26 in (P/N 155-3481-02)
- Exhaust tube, straight with flanged end 3 in (P/N 1552610), 7 in (P/N 155-2424), 12.5 in (P/N 155-2610-01)
- Exhaust elbow, tight radius 90° to route exhaust through cutouts (P/N 155-3439)
- EFI generator sets require a chassis-specific fuel system kit. See F-1106, Cummins Onan Commercial Mobile Accessories and Service Support Catalog

Standards and Testing

- Tested at extremes of temperature -20 °F to 120 °F for starting and operation
- Tested installed
- Tested with commercial loads
- Tested in high humidity conditions
- Tested in salt spray conditions
- Tested in heavy airborne dust conditions
- Field test program
- 60 Hz models meet applicable U.S. EPA standards.
- This generator set was designed and manufactured in facilities certified to ISO 9001
- CSA certified for CSA C22.2 Std 100 and Std 14



Warranty Policy

The limited warranty covers any failures of the product resulting from a defect in material or factory workmanship under normal use and service for 2 years from warranty start date or 2,000 hours, whichever occurs first. Parts and labor will be covered for warrantable failures except routine maintenance during two years warranty coverage period

After sale Support

Largest distributor/dealer support network Cummins Onan generator sets are supported by the largest and best trained worldwide certified distributor/dealer network in the industry. This network of knowledgeable Cummins Onan distributor/dealers will help you select and install the right generator set and accessories to meet the requirements of your specific application. This same network offers a complete selection of commonly used generator set maintenance parts, accessories and products plus manuals and specification sheets. Plus, they can answer your questions regarding proper operation, maintenance schedules and more.

Manuals: Operation and installation manuals ship with the generator set. To obtain additional copies or other manuals for this model, see your Cummins Onan distributor/dealer and request the following manual numbers: Operation (A035D007), Installation (A035D003), Parts (983-0202 I10), Service (A035D011).

To easily locate the nearest Cummins Onan distributor/dealer in your area, or for more information, contact us at 1-800-888-6626 (or 763-574-5000), or visit www.cumminsonan.com.

!	WARNING:
Do not use this generator set on a boat. Such use may violate U.S. Coast Guard regulations, and can result in severe personal injury or death from fire, explosion, electrocution, or carbon monoxide poisoning.	

!	WARNING:
Back feed to a utility system can cause electrocution and/or property damage. Do not connect to any building electrical except through an approved device or after building main breaker is open.	

Contact your distributor/dealer for more information.



Cummins Inc.
Box 3005
Columbus, IN 47202-3005
U.S.A
1-800-CUMMINS™ (1-800-286-6467)
cummins.com

©2019 Cummins Inc. All rights reserved.
Specifications are subject to change without notice. PDA-1443 (09/24)