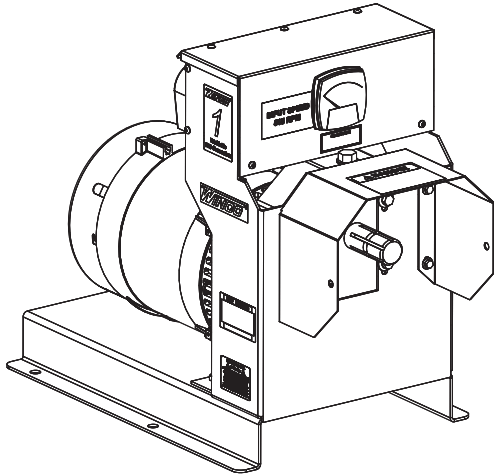


W10PTOS/B



Designed, engineered, and manufactured in our facility located in Le Center, Minnesota, equipped with modern engineering, fabrication and assembly capabilities.

Rugged Design

Engineered and built tough with powder coat paint galvanealed steel.

Full Load Tested

Every generator is 100% load tested in-house.

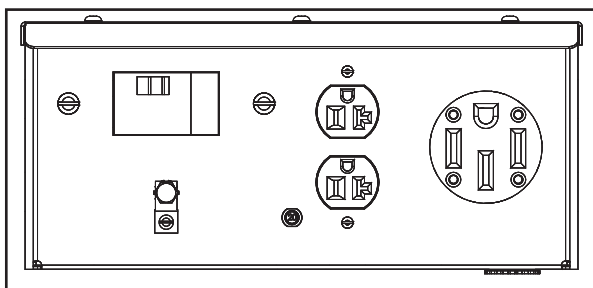


VOLTAGE	STANDBY WATTS	STANDBY AMPS@ 240V	CONTINUOUS WATTS	CONTINUOUS AMPS @ 120	CONTINUOUS AMPS @ 240V
120/240 1-PH	10,000	41.6	8,500	70	35

MOTOR STARTING (CODE G)	3 HP
TOTAL HARMONIC DISTORTION	< 5%
MAIN CIRCUIT BREAKER	45A, 240V
BONDED NEUTRAL	YES
120V RECEPTACLES	(1) NEMA 5-20 20A DUPLX
240V RECEPTACLES	(1) NEMA 14-50 50A
VOLTMETER	YES

GROUND LUG	YES
FULL POWER PLUG	INCLUDED
PTO INPUT SPEED	515 RPM
INPUT SHAFT SIZE	1 3/8" 6-SPLINE
REQUIRED INPUT HP ⁽¹⁾	20
ASSEMBLED IN	USA
UNIT WARRANTY ⁽²⁾	1 YEAR

RECEPTACLE PANEL



GENERATOR END

GENERATOR END BRAND	MECC ALTE
GENERATOR END MODEL	S20W-130
PHASE	SINGLE
VOLTAGE REGULATION	CAPACITOR +/- 5%
TEMPERATURE RISE	125/40°C
BRUSHLESS	YES
SPEED	3600 RPM

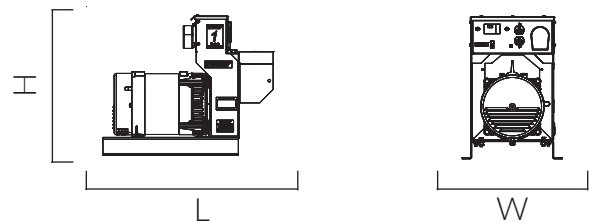
STATOR	2/3 PITCH
WINDINGS	100% COPPER
STATOR WINDING	DOUBLE LAYER CONCENTRIC
BEARINGS	SINGLE (MAINTENANCE FREE)
EFFICIENCY PEAK	79.8%
INSULATION	CLASS H
INGRESS PROTECTION	IP21

GEARCASE OIL

OIL TYPE	SAE 85W-90-140
OIL CAPACITY	1 PINT

SHIPPING

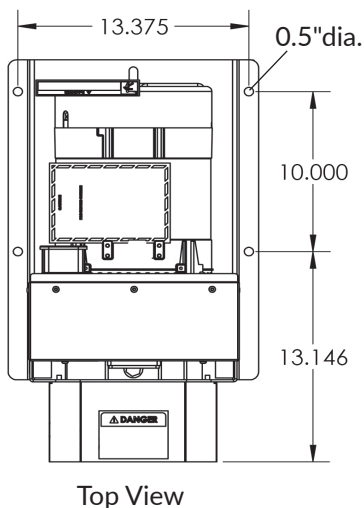
SHIPPING DIMENSIONS (L x W x H)	37" x 16" x 25"
SHIP WEIGHT	175 LBS
FREIGHT CLASS	65



OPTIONAL ACCESSORIES

PTO SHAFT	1 3/8" 6-SPLINE
PTO TRAILER	TDM76
THREE POINT HITCH	TPH250
MANUAL TRANSFER SWITCH	VARIES

INSTALLATION DIMENSIONS



- NOTES:
- (1) Required HP at PTO of tractor for full rated power. Each 2 HP equals approximately 1kW of electric power.
 - (2) For more warranty information, see operator's manual.

Specifications are subject to change without notice.



Sales: 507-357-6821
Service: 507-357-6831

