

Designed, engineered, and manufactured in our facility located in Le Center, Minnesota, equipped with modern engineering, fabrication and assembly capabilities.

Rugged Design

Engineered and built tough with powder coat paint galvanealed steel.

Cast Iron Gearcase

Our own WINCO gearcases have proven their strength and durability for over 60 years and will keep doing so in the future.

Full Load Tested

Every generator is 100% load tested in-house.

STAMFORD

MODEL	VOLTAGE	STANDBY (125/40°C)			CONTINUOUS (105/40°C)		
		WATTS	AMPS 1.0 PF	AMPS 0.8 PF	WATTS	AMPS 1.0 PF	AMPS 0.8 PF
W70PTO-3	120/240 1-PH	69,000	287	N/A	56,000	233	N/A
W70PTOS-3	120/240 1-PH	69,000	287	N/A	56,000	233	N/A
W70PTOS-4	120/208 3-PH	78,000	216	270	70,000	194	243
W75PTOS-17	120/240 3-PH	78,000	187	234	70,000	168	210
W85PTOS-18	277/480 3-PH	88,000	106	132	83,000	100	124
W85PTOS-21	346/600 3-PH	88,000	84	105	83,000	79	100

MOTOR STARTING (CODE G)

120/240 1-PH	25 HP
120/208 3-PH	25 HP
120/240 3-PH	30 HP
277/480 3-PH	30 HP
346/600 3-PH	35 HP

TOTAL HARMONIC DISTORTION < 5%

MAIN CIRCUIT BREAKER

120/240 1-PH	300A, 240V
120/208 3-PH	250A, 240V
120/240 3-PH	250A, 240V
277/480 3-PH	150A, 240V
346/600 3-PH	100A, 240V

BONDED NEUTRAL YES

120V RECEPTACLES (1) NEMA 5-20 20A DUPLEX

FULL POWER ANDERSON⁽¹⁾

70-75	350 AMPS
85	175 AMPS

FREQUENCY METER YES

GROUND LUG YES

FULL POWER PLUG INCLUDED

PTO INPUT SPEED

W70PTO-3	540 RPM
W70PTOS - W80PTOS	1000 RPM

INPUT SHAFT SIZE 1 3/4" 20-SPLINE

REQUIRED INPUT HP⁽²⁾

W70PTO-3 & W70PTOS-3	138
W75PTOS-4 & W75PTOS-17	156
W85PTOS-18 & W85PTOS-21	176

ASSEMBLED IN USA

UNIT WARRANTY⁽³⁾ 3 YEARS

GENERATOR END

GENERATOR END BRAND	STAMFORD
GENERATOR END MODEL	
W70PTO-3	UCI224G
W70PTOS-3	UCI224F
W75PTOS & 80PTOS	UCI224G
WINDING	
240V 1-PH	06 - 4 LEAD
208/240/480V 3-PH	311 - 12 LEAD
600V 3-PH	17- 12 LEAD
VOLTAGE REGULATION	AVR +/-1%
AVR TYPE	AS440
TEMPERATURE RISE	
STANDBY	125/40°C
CONTINUOUS	105/40°C
BRUSHLESS	YES

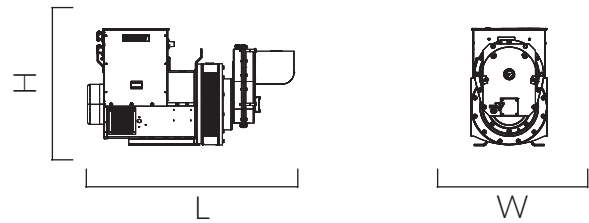
SPEED	1800 RPM
STATOR	2/3 PITCH
WINDINGS	100% COPPER
STATOR WINDING	
SINGLE PHASE	SINGLE LAYER CONCENTRIC
THREE PHASE	DOUBLE LAYER CONCENTRIC
BEARINGS	SINGLE (MAINTENANCE FREE)
EFFICIENCY PEAK	
UCI224G - 06	88.2%
UCI224F - 06	87.8%
UCI224G - 311	90.9%
INSULATION	CLASS H
INGRESS PROTECTION	IP23

GEARCASE OIL

OIL TYPE	SAE 85W-90-140
OIL CAPACITY	2.75 PINT

SHIPPING

SHIPPING DIMENSIONS (L x W x H)	55" x 29" x 36"
SHIP WEIGHT	
W70PTO & W70PTOS	1,032 LBS
W75PTOS & W85PTOS	1,046 LBS
FREIGHT CLASS	65

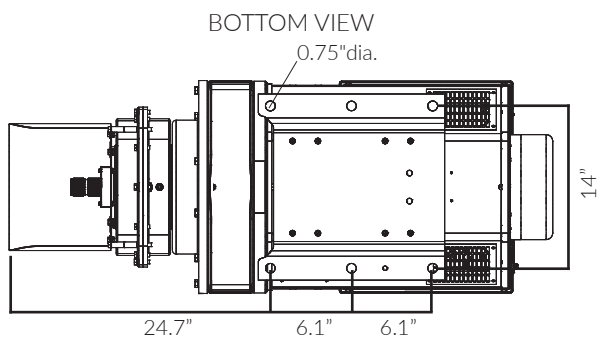


OPTIONAL ACCESSORIES

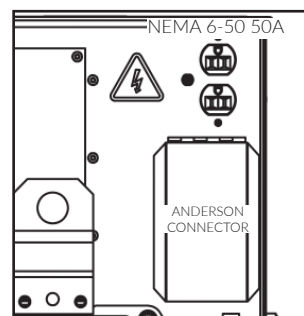
PTO SHAFT	
540 RPM	1 3/4" - 6 SPLINE
1000 RPM	1 3/4" 20-SPLINE
	1 3/4" 21 SPLINE

PTO TRAILER	TDM91
MANUAL TRANSFER SWITCH	VARIES

INSTALLATION DIMENSIONS



RECEPTACLE PANEL ⁽¹⁾



- NOTES:
- (1) 480V & 600V are equipped with the Anderson receptacle only.
 - (2) Required HP at PTO of tractor for full rated power. Each 2 HP equals approximately 1kW of electric power.
 - (3) For more warranty information, see operator's manual.

Specifications are subject to change without notice.



Sales: 507-357-6821
Service: 507-357-6831

