

Designed, engineered, and manufactured in our facility located in Le Center, Minnesota, equipped with modern engineering, fabrication and assembly capabilities.

Rugged Design

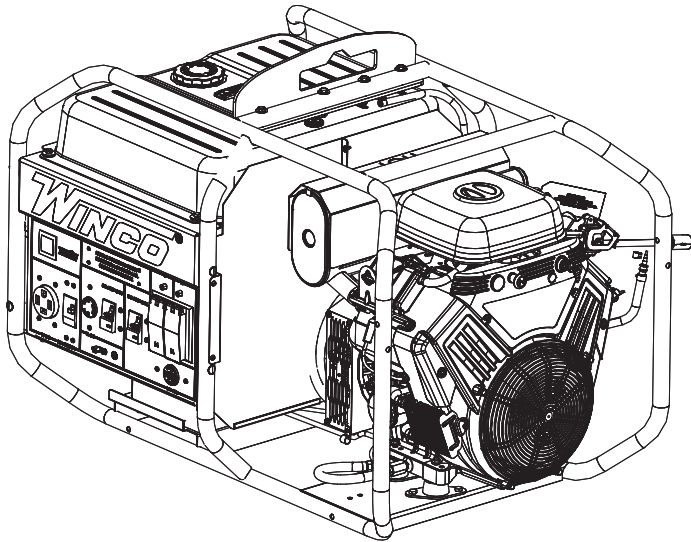
Engineered and built tough with powder coat paint galvanealed steel.

Full Load Tested

Every generator is 100% load tested in-house.

Briggs & Stratton Commercial Engine

Premium-grade Vanguard engines are application-engineered to power equipment that works for a living.

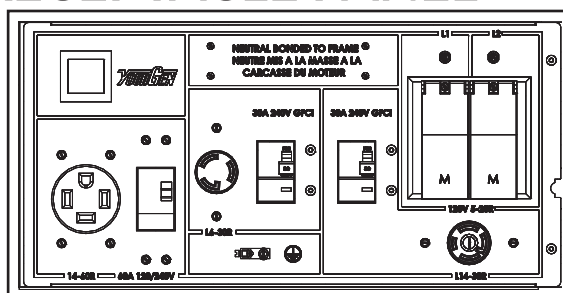


VOLTAGE	STARTING WATTS	STARTING AMPS @ 240V	RUNNING WATTS	RUNNING AMPS @ 120V	RUNNING AMPS @ 240V
120/240 1-PH	19,000	79.1	17,000	141.6	70.8

MOTOR STARTING (CODE G)	5 HP
DBA @ 7 METERS FULL LOAD	78
TOTAL HARMONIC DISTORTION	< 6%
MAIN CIRCUIT BREAKER	60A, 240V (GFCI)
BONDED NEUTRAL	YES
120V RECEPTACLES	(2) NEMA 5-20 20A (DUPLEX GFCI)
120/240V RECEPTACLES	(1) 14-60 60A (1) L14-30 30A (GFCI)

240V RECEPTACLES	(1)NEMA L6-30 30A (GFCI)
PROTECTIVE ROLL FRAME	1.25" DIA 14 GA STEEL
ASSEMBLED IN	USA
EPA APPROVED	YES
CARB APPROVED	NO
TÜV CERTIFICATION	CSA
UNIT WARRANTY ⁽¹⁾	3 YEARS COMMERCIAL

RECEPTACLE PANEL



ENGINE

ENGINE BRAND	BRIGGS & STRATTON
ENGINE MODEL	VANGUARD 61G2
ENGINE STARTER	ELECTRIC
ENGINE SPEED	3600 RPM
ENGINE CYLINDERS	V-TWIN
ENGINE HP	40
FREQUENCY	60 HZ
IGNITION SYSTEM	MAGNETRON® ELECTRONIC

LUBRICATION	FULL-PRESSURE
BORE/STROKE	85.5 mm x 86.5 mm
DISPLACEMENT/TYPE	993CC/ OHV
LOW OIL PROTECTION	STANDARD
RECOMMENDED OIL ⁽²⁾	5W-30 SAE
OIL CAPACITY	2.6 QT
COMPRESSION RATIO	8.5:1

FUEL

FUEL TANK	15 GAL
FULL LOAD RUN TIME	6.5 HRS
FUEL GAUGE	YES

FUEL CONSUMPTION	
100%	2.3 GAL/HR
75%	2.1 GAL/HR
50%	1.6 GAL/HR
25%	1.1 GAL/HR

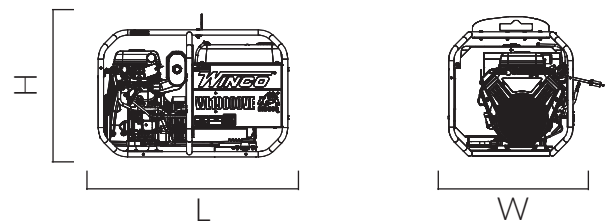
GENERATOR END

GENERATOR END BRAND	MECC ALTE
GENERATOR END MODEL	AMC3
PHASE	SINGLE
VOLTAGE REGULATION	CAPACITOR +/- 5%
TEMPERATURE RISE	125/40°C
BRUSH	YES
SPEED	3600 RPM

STATOR	2/3 PITCH
WINDINGS	100% COPPER
STATOR WINDING	DOUBLE LAYER CONCENTRIC
BEARINGS	SINGLE (MAINTENANCE FREE)
EFFICIENCY PEAK	70.4%
INSULATION	CLASS H
INGRESS PROTECTION	IP23

SHIPPING

SHIPPING DIMENSIONS (L x W x H)	43.5" x 31" x 37"
SHIP WEIGHT	504 LBS
FREIGHT CLASS	70



OPTIONAL ACCESSORIES

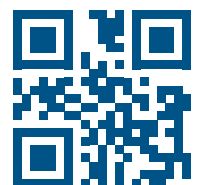
COVER	45" x 32" x 30"
MAINTENANCE KIT	16200-051
BATTERY	BCI GROUP 26 500 CCA
4-WHEEL DOLLY KIT	16199-040
60A PLUG	300137

NOTES:

(1) For more warranty information, see operator's manual.

(2) The recommended oil is for normal applications.

See operator's manual for more oil recommendations. Specifications are subject to change without notice.



Sales: 507-357-6821
Service: 507-357-6831

