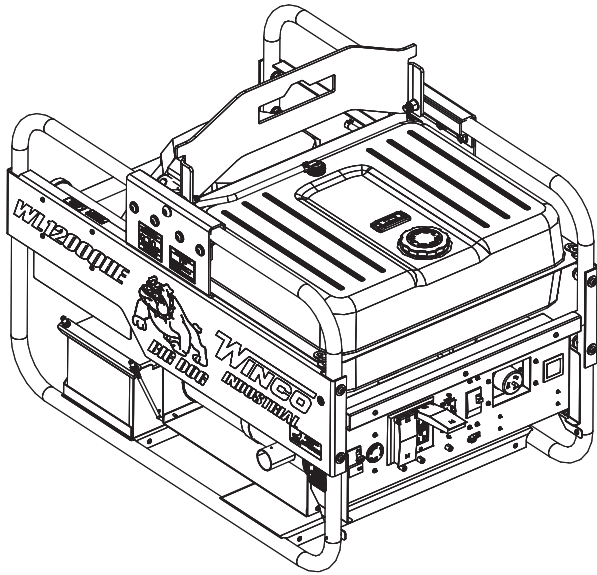


WL12000HE-03/D



Designed, engineered, and manufactured in our facility located in Le Center, Minnesota, equipped with modern engineering, fabrication and assembly capabilities.

Rugged Design

Engineered and built tough with powder coat paint galvanealed steel.

Full Load Tested

Every generator is 100% load tested in-house.

Honda GX630 Engine

You expect the best, you get the best. The Honda GX630 is better than ever. Including improved adaptability, quieter operation, and greater fuel efficiency.

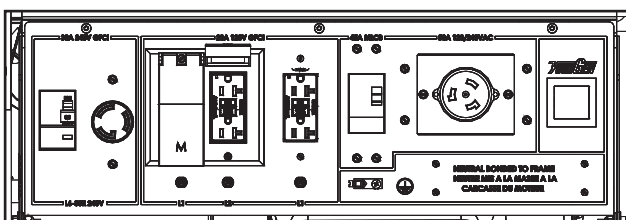


VOLTAGE	STARTING WATTS	STARTING AMPS @ 240V	RUNNING WATTS	RUNNING AMPS @ 120V	RUNNING AMPS @ 240V
120/240 1-PH	12,000	50	10,800	90	45

MOTOR STARTING (CODE G)	3.5 HP
DBA @ 7 METERS FULL LOAD	77
TOTAL HARMONIC DISTORTION	< 6%
MAIN CIRCUIT BREAKER	45A, 240 V (GFCI)
BONDED NEUTRAL	YES
120V RECEPTACLES	(3) NEMA 5-20 20A (DUPLEX GFCI)
120/240V RECEPTACLES	(1) C6365 50A T-L

240V RECEPTACLES	(1) NEMA L6-30 30A (DUPLEX GFCI)
PROTECTIVE ROLL FRAME	1.25" DIA 14 GA STEEL
ASSEMBLED IN	USA
EPA APPROVED	YES
CARB APPROVED	NO
TÜV CERTIFICATION CSA	YES
UNIT WARRANTY ⁽¹⁾	3 YEARS COMMERCIAL

RECEPTACLE PANEL



ENGINE

ENGINE BRAND	HONDA
ENGINE MODEL	GX630
ENGINE STARTER	ELECTRIC
ENGINE SPEED	3600 RPM
ENGINE CYLINDERS	V-TWIN
ENGINE HP	20.8
FREQUENCY	60 HZ
IGNITION SYSTEM	DIGITAL CDI W/ VARIABLE TIMING

LUBRICATION	FULL-PRESSURE
BORE/STROKE	78.0 mm x 72.0 mm
DISPLACEMENT/TYPE	688CC/ OHV
LOW OIL PROTECTION	STANDARD
RECOMMENDED OIL ⁽²⁾	5W-30 SAE
OIL CAPACITY	2.1 QT
COMPRESSION RATIO	9.3:1

FUEL

FUEL TANK	15 GAL
FULL LOAD RUN TIME	9.4 HRS
FUEL GAUGE	YES

FUEL CONSUMPTION	
100%	1.59 GAL/HR
75%	1.19 GAL/HR
50%	0.79 GAL/HR
25%	0.40 GAL/HR

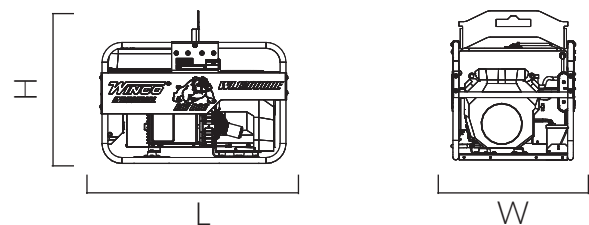
GENERATOR END

GENERATOR END BRAND	MECC ALTE
GENERATOR END MODEL	S20FS-160
PHASE	SINGLE
VOLTAGE REGULATION	CAPACITOR +/- 5%
TEMPERATURE RISE	125/40°C
BRUSH	YES
SPEED	3600 RPM

STATOR	2/3 PITCH
WINDINGS	100% COPPER
STATOR WINDING	DOUBLE LAYER CONCENTRIC
BEARINGS	SINGLE (MAINTENANCE FREE)
EFFICIENCY PEAK	79.2%
INSULATION	CLASS H
INGRESS PROTECTION	IP23

SHIPPING

SHIPPING DIMENSIONS (L x W x H)	50" x 27" x 35"
SHIP WEIGHT	415 LBS
FREIGHT CLASS	70



OPTIONAL ACCESSORIES

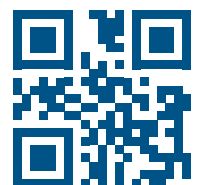
COVER	45" x 32" x 30"
MAINTENANCE KIT	16200-005
BATTERY	BCI GROUP U1 300 CCA
4-WHEEL DOLLY KIT	16199-043
50A PLUG	64493-000

NOTES:

(1) For more warranty information, see operator's manual.

(2) The recommended oil is for normal applications.

See operator's manual for more oil recommendations. Specifications are subject to change without notice.



Sales: 507-357-6821
Service: 507-357-6831

