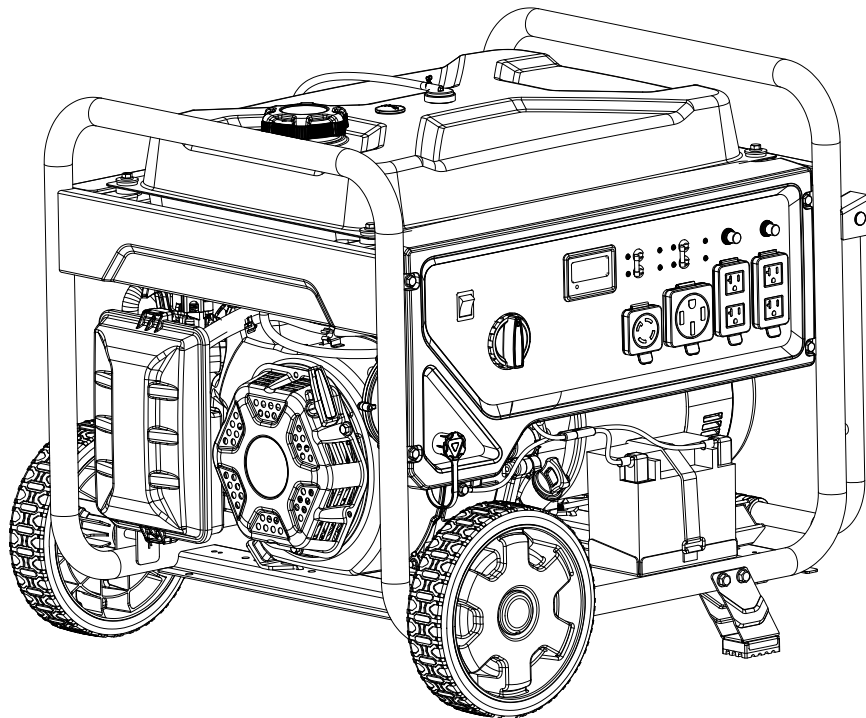


Champion Power Equipment, Inc.

**MODEL #201438**



## **PARTS INFORMATION**

**10,000W TRI-FUEL ELECTRIC START GENERATOR**

**SERIAL NUMBER RANGE: ALL**



To order replacement parts please visit:  
**[shop.championpowerequipment.com](http://shop.championpowerequipment.com)**  
or call **1-877-338-0999**.

## **TABLE OF CONTENTS**

<b>Generator Parts Diagram</b> .....	<b>3</b>
<b>Generator Parts List</b> .....	<b>4</b>
<b>Engine Parts Diagram</b> .....	<b>5</b>
<b>Engine Parts List</b> .....	<b>6</b>
<b>Cylinder Head Parts Diagram</b> .....	<b>8</b>
<b>Cylinder Head Parts List</b> .....	<b>9</b>
<b>Carburetor Parts Diagram</b> .....	<b>10</b>
<b>Carburetor Parts List</b> .....	<b>11</b>
<b>Alternator Parts Diagram</b> .....	<b>12</b>
<b>Alternator Parts List</b> .....	<b>13</b>
<b>Fuel Tank Parts Diagram</b> .....	<b>14</b>
<b>Fuel Tank Parts List</b> .....	<b>15</b>
<b>Control Panel Parts Diagram</b> .....	<b>16</b>
<b>Control Panel Parts List</b> .....	<b>17</b>
<b>Frame Assembly Parts Diagram</b> .....	<b>18</b>
<b>Frame Assembly Parts List</b> .....	<b>19</b>
<b>Wiring Diagram</b> .....	<b>20</b>

# GENERATOR PARTS DIAGRAM

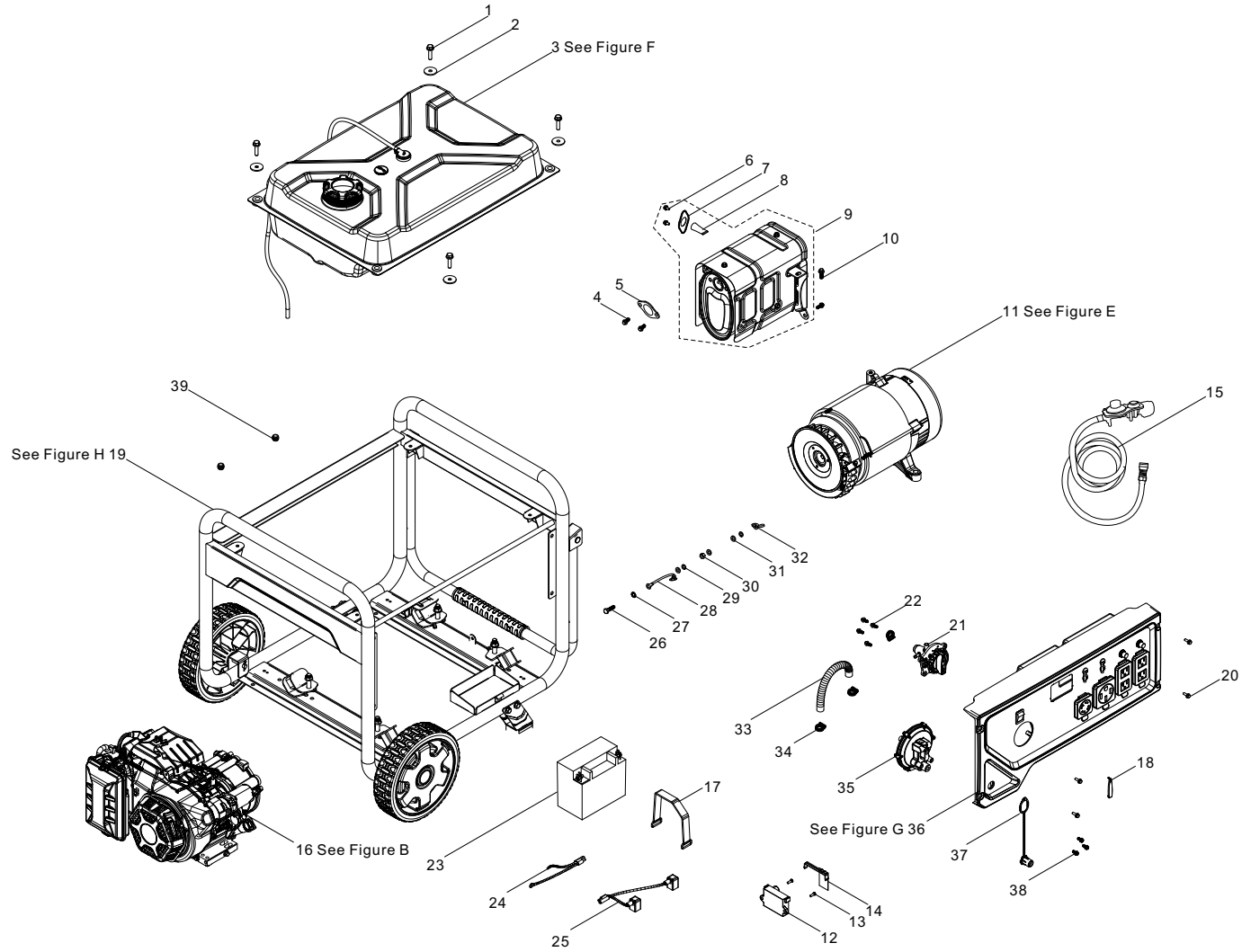


Figure A

**GENERATOR PARTS LIST**

#	Part Number	Description	Qty.
1	90007-000024	M6 x 25 Hex Flange Bolt, Blk Zn	4
2	90408-000008	Flat Washer, Ø6, Blk Zn	4
3	96104-Y16620-0025	Fuel Tank Assy - See Figure F	1
4	90001-000046	M8 x 30 Hex Flange Bolt, Blk Zn	2
5	18101-000001	Exhaust Outlet Gasket	1
6	90007-000032	M6 x 10 Hex Flange Bolt, Blk Zn	2
7	18255-000003	Decorative Cover, Spark Arrester	1
8	18252-000001	Spark Arrester	1
9	18100-000054	Muffler Assy	1
10	90001-000041	M8 x 16 Hex Flange Bolt, Blk Zn	2
11	96114-Y31300-0022	Alternator Assy - See Figure E	1
12	35720-000001	Co Alarm	1
13	90103-000013	M5 x 16 Screw, White Zn	2
14	30351-000003	Co Alarm Cover	1
15	77300-000006	LPG Hose with Regulator	1
16	96100-500DV3FH-01	Engine - See Figure B	1
17	31115-000002	Battery Strap, 220 x 20 x 3.5	1
18	82007-000005	Decorative Cover, Fuel Valve	1
19	96103-Y51100-0032	Frame Assy - See Figure H	1
20	90007-000012	M6 x 16 Hex Flange Bolt, Blk Zn	4
21	16750-000029	Fuel Valve Assy	1
22	90124-000003	Self Tapping Screw, PT5 x 16, White Zinc	4
23	31110-000004	Battery,12V/14Ah, 150 x 85 x 130	1
24	31114-000007	DC Wire Harness, Engine	1
25	31112-000015	DC Wire Harness, Battery	1
26	90001-000027	M6 x 25 Hex Flange Bolt, Blk Zn	1
27	90415-000001	Toothed Lock Washer, Blk Zn	1
28	30009-000002	Grounding Wire	1
29	90403-000003	Spring Washer, Blk Zn	2
30	90303-000003	M6 Hex Nut, Blk Zn	1

#	Part Number	Description	Qty.
31	90408-000006	Flat Washer, Blk Zn	3
32	90312-000001	M6 Wing Nut, Blk Zn	1
33	90729-000005	Vent Hose, 9.5 x 16.8 x 250	1
34	90748-000002	Clamp, 10-16	3
35	77100-000019	LPG Regulator	1
36	35610-000180	Control Panel Assy - See Figure G	1
37	90722-000019	End Plug	1
38	90134-000001	M5 x 12 Cross Hex Pan Head Bolt	3
39	90698-000002	Protective Rubber Sleeve	2

# ENGINE PARTS DIAGRAM

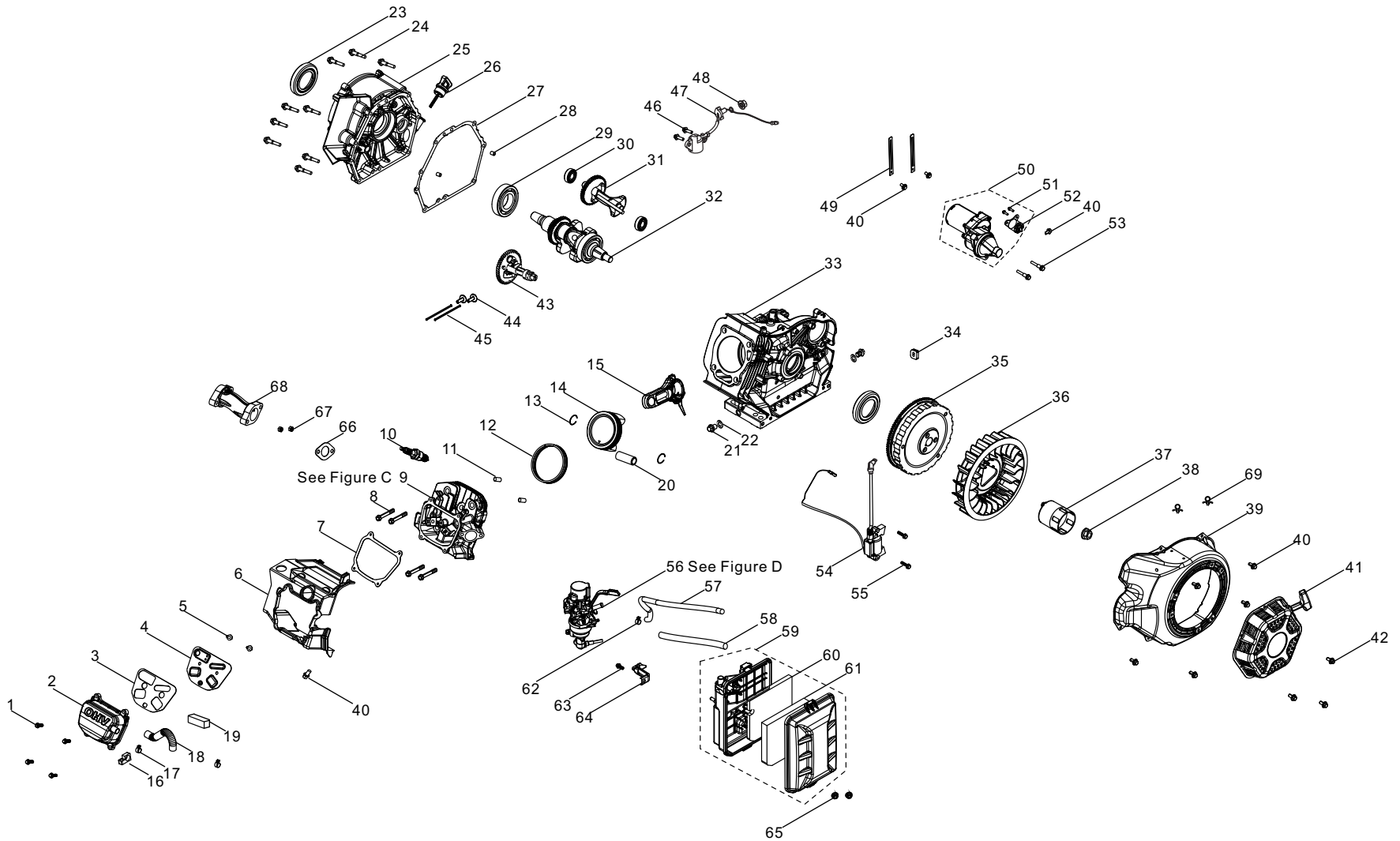


Figure B

**ENGINE PARTS LIST**

#	Part Number	Description	Qty.
1	90001-000024	M6 x 20 Hex Flange Bolt, White Zn	4
2	12410-000003	Cylinder Head Cover Assy	1
3	11332-000002	Breather Groove Cover Gasket	1
4	11320-000001	Breather	1
5	90001-000018	M6 x 12 Hex Flange Bolt, White Zn	2
6	19304-000012	Cylinder Body Shroud	1
7	12004-000020	Cylinder Head Cover Gasket	1
8	12004-000005	M12 x 90 Cylinder Head Bolt, White Zn	4
9	96101-Z120410-0026	Cylinder Head Assy	1
10	30010-000006	Spark Plug, F7RTJC	1
11	90502-000009	Pin, 14 x 15	2
12	13200-000019	Piston Ring Assy	1
13	13122-000002	Piston Pin Clip	2
14	13111-000022	Piston	1
15	13010-000002	Connecting Rod	1
16	90804-000006	Stop Block	1
17	90685-000022	Clamp, Ø18.5 x Ø1.6	2
18	17004-000030	Breather Tube	1
19	11331-000002	Breath Groove Strainer	1
20	13121-000005	Piston Pin, Ø20 x Ø15 x 53	1
21	11007-000004	M12 x 18 Drain Plug Bolt, Blk Zn	2
22	90412-000003	Washer, Ø12 x Ø21 x 2	2
23	90682-000005	Oil Seal, Ø40 x Ø52 x 9	2
24	90001-000051	M8 x 40 Hex Flange Bolt, Blk Zn	9
25	11411-000029	Crankcase Cover	1
26	15010-000009	Oil Dipstick	1
27	11001-000016	Crankcase Gasket	1
28	90502-000002	Pin, 8 x 12	2
29	90547-000013	Bearing, 6208	1
30	90547-000019	Bearing, 6202	2

#	Part Number	Description	Qty.
31	13401-000001	Balancing Shaft	1
32	13300-000037	Crankshaft Assy	1
33	11310-000037	Crankcase Assy	1
34	28101-000004	Rubber Plug	1
35	13510-000027	Flywheel Assy	1
36	19352-000023	Engine Cooling Fan	1
37	28002-000018	Starter Pulley, White Zn	1
38	13501-000002	M16 x 1.5 Flywheel Nut, White Zn	1
39	28110-000047	Shroud	1
40	90001-000019	M6 x 12 Hex Flange Bolt, Blk Zn	9
41	28200-000023	Recoil Starter Assy	1
42	90251-000001	M6 x 8 Bolts & Washer Assy, Blk Zinc	3
43	14200-000030	Camshaft Assy	1
44	14081-000003	Valve Tappet	2
45	14070-000007	Valve Lifter Assy	2
46	90001-000022	M6 x 16 Hex Flange Bolt, White Zn	2
47	37060-000018	Engine oil Sensor	1
48	90305-000015	M10 Hex Flange Nut, Blk Zn	1
49	90684-000001	Clip, Ø6 x 10.6 x 130	2
50	09100-000005	Starter Motor	1
51	90001-000007	M5 x 16 Hex Flange Bolt, White Zn	2
52	30500-000006	Starter Motor Relay	1
53	90001-000049	M8 x 35 Hex Flange Bolt, White Zn	2
54	30400-000047	Ignition Coil	1
55	90001-000028	M6 x 28 Hex Flange Bolt, White Zn	2
56	96105-Z16100-0033	Carburetor Assy - See Figure D	1
57	90729-000010	Vent Tube, Ø9.5 x Ø16.8 x 460	1
58	30431-000033	Rubber Sleeve,, Ø19.5 x Ø18 x 250	1
59	17100-000036	Air Cleaner Assy	1
60	17151-000017	Element 1, Air Cleaner	1

#	Part Number	Description	Qty.
61	17151-000016	Element 2, Air Cleaner	1
62	90748-000002	Clamp, 10-16	1
63	90001-000019	M6 x 12 Hex Flange Bolt, Blk Zn	1
64	17003-000015	Air Cleaner Support	1
65	90305-000008	M6 Hex Flange Nut, Blk Zn	2
66	18101-000003	Exhaust Outlet Gasket	1
67	90303-000004	M8 Hex Nut, Blk Zn	2
68	18150-000006	Exhaust Pipe	1
69	90740-000002	Clamp	2

# CYLINDER HEAD PARTS DIAGRAM

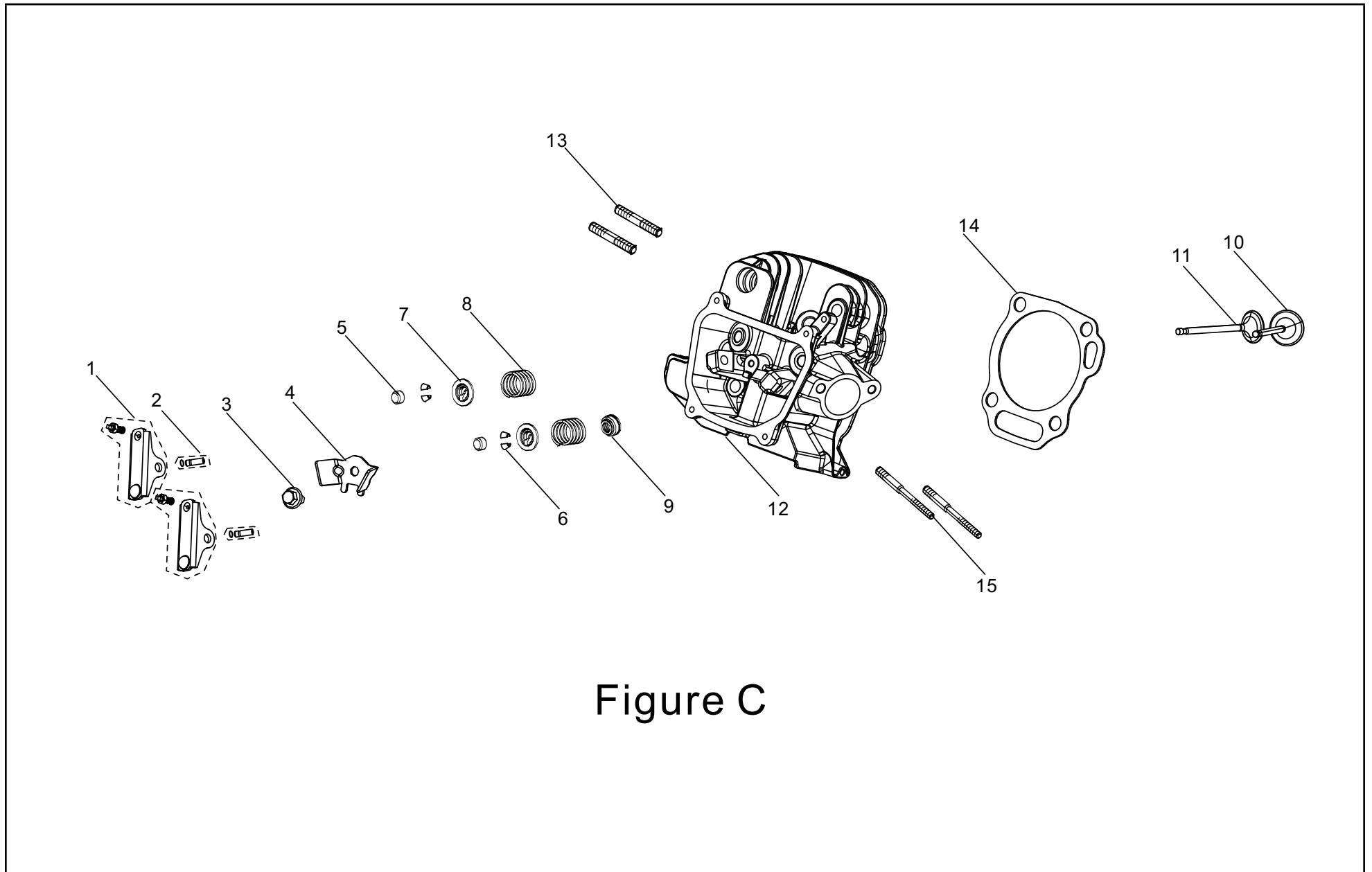


Figure C

**CYLINDER HEAD PARTS LIST**

#	Part Number	Description	Qty.
1	14310-000013	Valve Rocker	2
2	14318-000001	Rocker Arm Shaft Assy	2
3	90001-000018	M6 x 12 Hex Flange Bolt, White Zn	1
4	12419-000002	Cylinder Head Pin Limit Plate, 1.6	1
5	12104-000002	Valve Rotator	2
6	12109-000005	Valve Lock Clamp	4
7	12112-000005	Valve Spring Retainer	2
8	12103-000011	Valve Spring	2
9	12101-000002	Seal Guide	1
10	12111-000018	Intake Valve	1
11	12121-000019	Exhaust Valve	1
12	12410-000020	Cylinder Head	1
13	90204-000019	M8 x 47 Stud, Blk Zn	2
14	12131-000020	Cylinder Head Gasket	1
15	90204-000020	M6/M8 x 114 Stud, Blk Zn	2

# CARBURETOR PARTS DIAGRAM

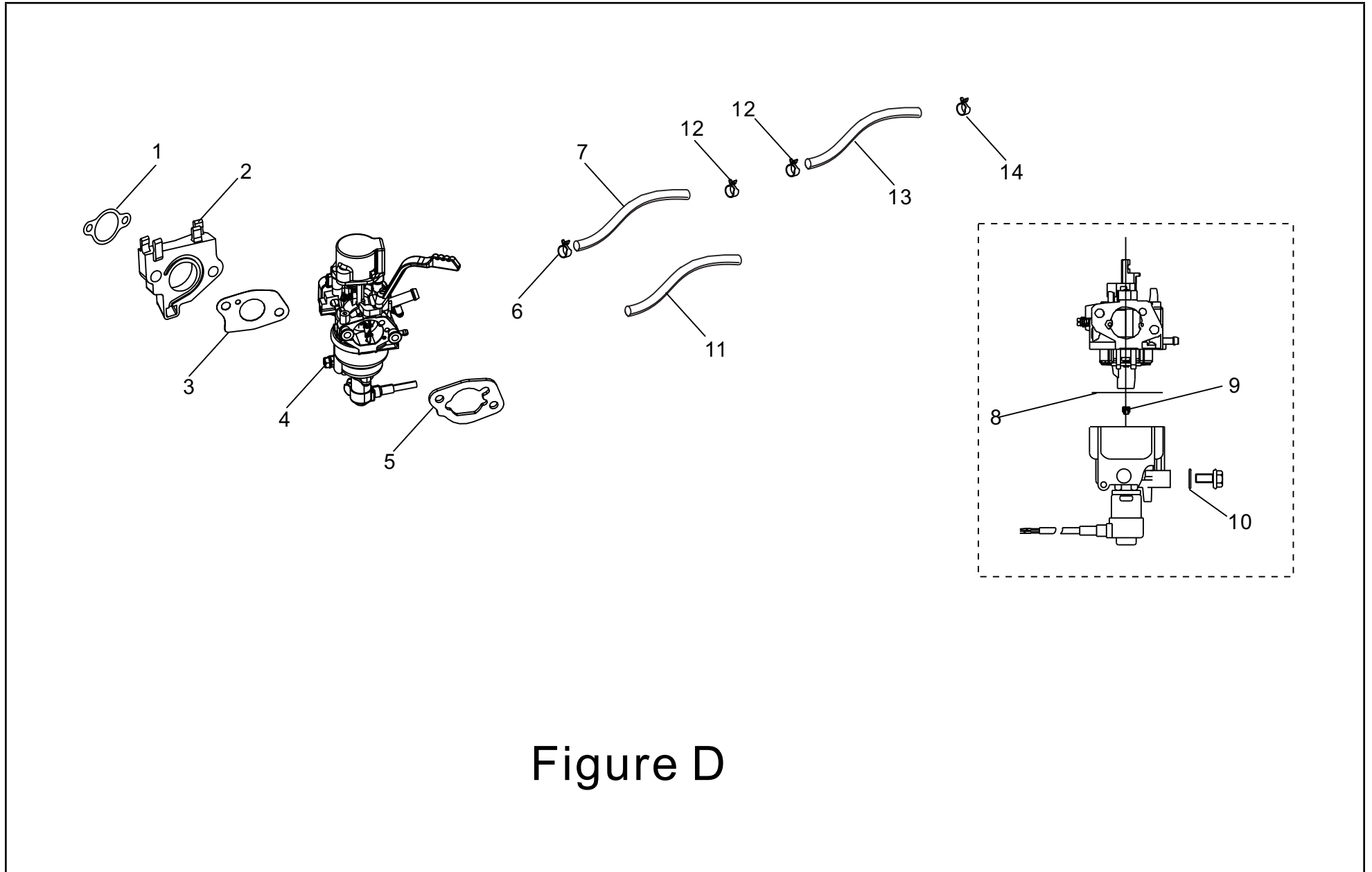


Figure D

**CARBURETOR PARTS LIST**

#	Part Number	Description	Qty.
1	17002-000003	Inlet Gasket	1
2	16003-000004	Carburetor Insulator Plate	1
3	16001-000003	Carburetor Gasket	1
4	16100-000085	Carburetor Assy	1
5	17001-000016	Air Cleaner Gasket	1
6	90685-000002	Clamp, Ø9 x 8 x 0.8, Dacromet	1
7	90686-000067	Tube, Ø4 x Ø10 x 505	1
8	16112-000003	Seal Ring, Float	1
9	16161-000103	Main Jet(H128 X 0.4), Standard	1
	16161-000104	Main Jet(H128 X 0.42), Standard	/
	16161-000105	Main Jet(H128 X 0.44), Standard	/
10	90681-000007	Seal Ring	1
11	30431-000034	Rubber Sleeve,Ø13 x Ø11.5 x 370	1
12	90685-000010	Clamp, Ø10.5 x 8 x 0.8, Dacromet	2
13	90686-000066	Tube, Ø4 x Ø10 x 305	1
14	90685-000002	Clamp, Ø9 x 8 x 0.8, Dacromet	1

# ALTERNATOR PARTS DIAGRAM

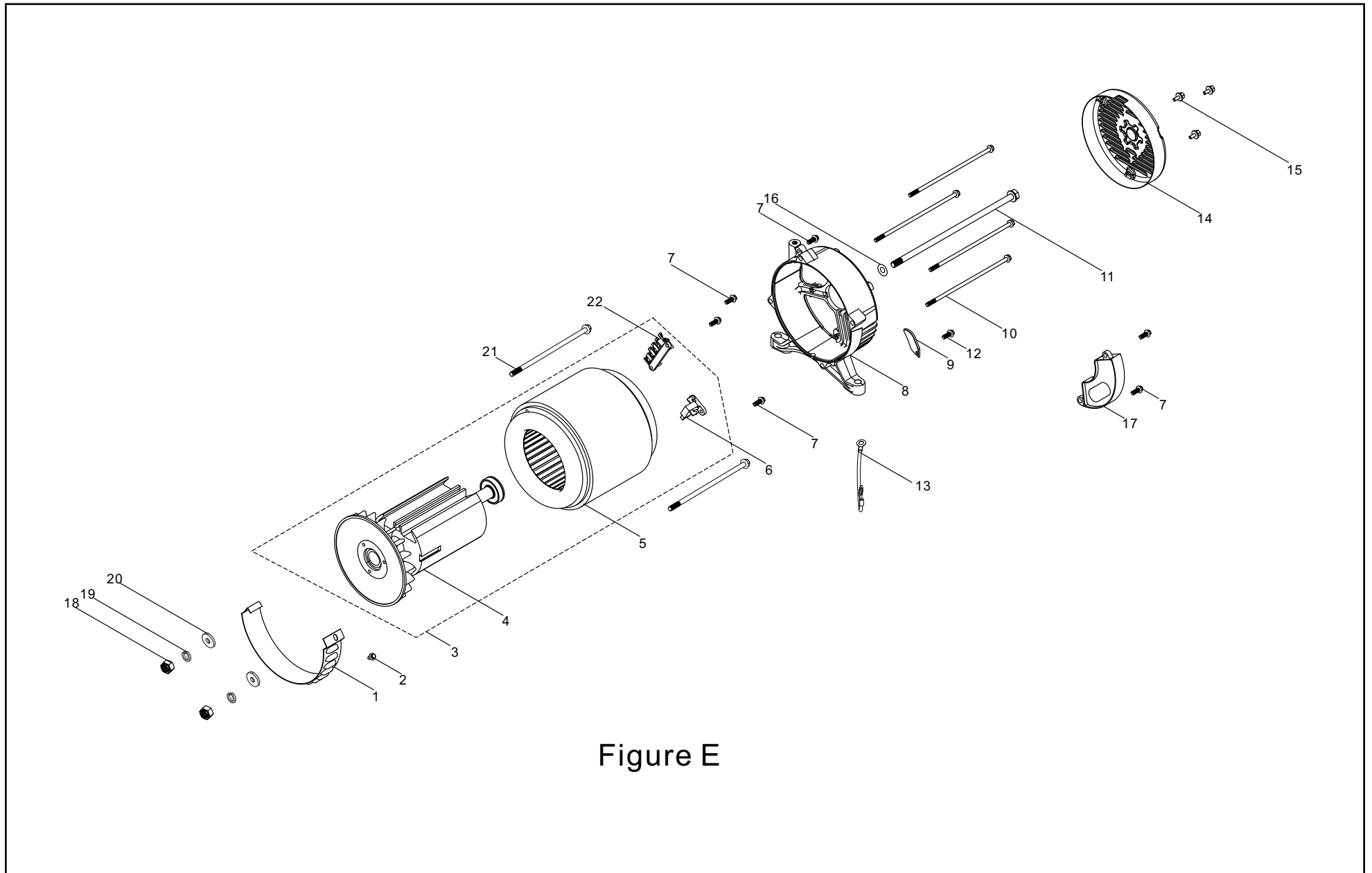


Figure E

**ALTERNATOR PARTS LIST**

#	Part Number	Description	Qty.
1	30024-000003	Shroud, Alternator	1
2	90001-000001	M5 x 10 Hex Flange Bolt, White Zn	1
3	31300-000038	Alternator Assy, AL, D204 x 165	1
4	31330-000017	Rotor, AL, D204 x 165	1
5	31310-000028	Stator, AL	1
6	31320-000002	Carbon Brush Assy	1
7	90001-000007	M5 x 16 Hex Flange Bolt, White Zn	6
8	30021-000007	Bracket, Motor	1
9	30023-000009	Stopper, Motor Right Cover, White Zn	1
10	30048-000006	M6 x 206, Stator Bolt, White Zn	4
11	30049-000006	M10 x 295, Rotor Bolt, White Zn	1
12	90001-000017	M6 x 10 Hex Flange Bolt, White Zn	1
13	30009-000025	Grounding Wire	1
14	30022-000012	End Housing Cover	1
15	90001-000068	M5 x 16 Hex Flange Bolt, Blk Zn	3
16	90408-000011	Flat Washer, Ø10.4 x Ø30 x 4, White Zn	1
17	30060-000027	Rectifier	1
18	90303-000001	M5 Hex Nut, White Zn	2
19	90403-000002	Standard Spring Washer, Blk Zn	2
20	90408-000003	Flat Washer, Ø5, White Zn	2
21	31316-000003	M5 x 240 Stator Fixing Bolt	2
22	31303-000008	Terminal Block	1

# FUEL TANK PARTS DIAGRAM

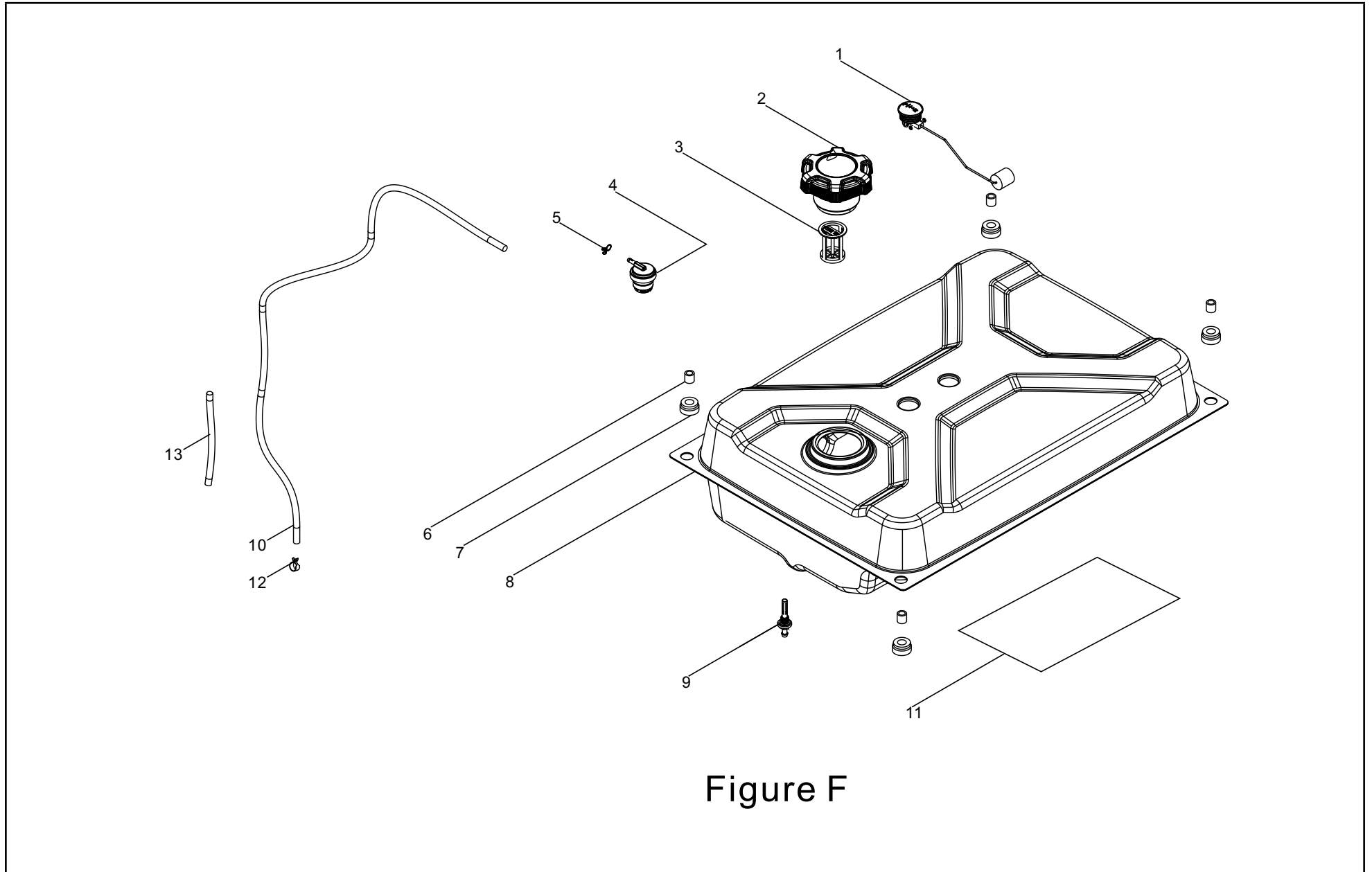


Figure F

**FUEL TANK PARTS LIST**

#	Part Number	Description	Qty.
1	37200-000010	Fuel Gauge	1
2	16730-000010	Fuel Tank Cap	1
3	16652-000009	Fuel Filter	1
4	15150-000003	One Way Valve	1
5	90740-000005	Clamp, Ø9 x 1	1
6	90683-000001	Bushing, White Zn	4
7	16601-000001	Rubber Sleeve, Vibration Mount, Fuel Tank	4
8	16620-000015	Fuel Tank, 29.1L, RT2910A	1
9	16680-000005	Fuel Tank Outlet Assy	1
10	16804-000027	Connection Tube, Ø4.5 x Ø8.5 x 845	1
11	82153-000009	Heat Film	1
12	90685-000007	Clamp, Ø9.5 x 8 x 0.8, Dacromet	1
13	30431-000019	Rubber Sleeve, Ø13 x Ø11.5 x 180	1

# CONTROL PANEL PARTS DIAGRAM

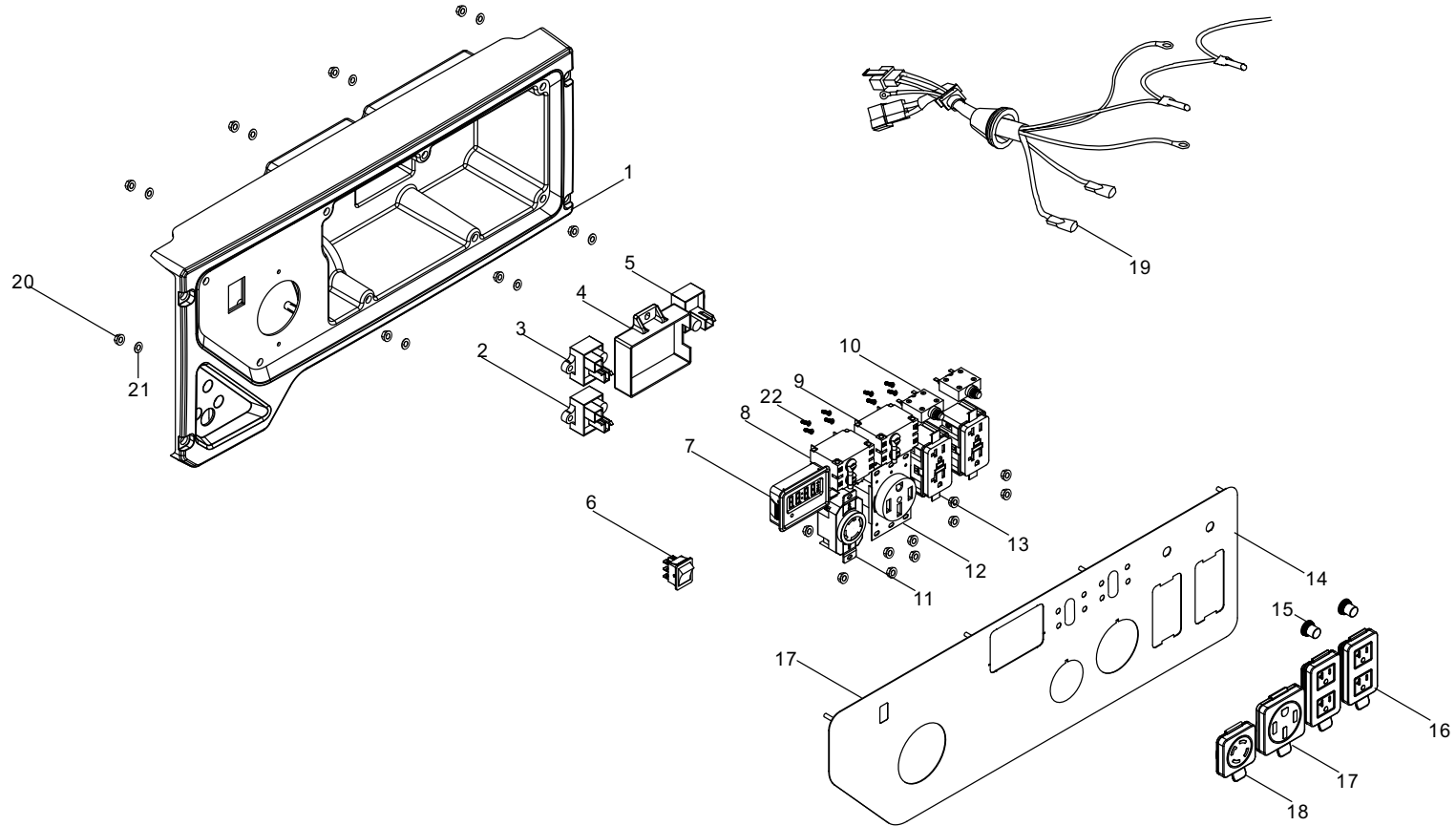


Figure G

**CONTROL PANEL PARTS LIST**

#	Part Number	Description	Qty.
1	35680-000026	Control Panel Housing	1
2	30007-000004	Charging Module	1
3	30008-000004	Control Module, EV10	1
4	30008-000009	Module, Electronic Speed Regulation	1
5	30008-000003	Control Module, OV0402	1
6	35160-000011	Engine Switch	1
7	35632-000006	Display, INT1AOF	1
8	35627-000009	30Amp Circuit Breaker, 2P flip, 250V	1
9	35627-000010	42Amp Circuit Breaker, 2P flip, 250V	1
10	31234-000003	20Amp Circuit Breaker, Push Button, 125/250V	2
11	35614-000004	L14-30R Receptacle, 30A, 125V/250V	1
12	35614-000012	14-50R Receptacle, 50A, 125V/250V	1
13	35614-000018	5-20R GFCI Receptacle, 20A, 125V	2
14	35650-000067	Control Panel	1
15	35654-000005	Cover, Push Button	2
16	35654-000013	Receptacle Cover, 5-20R	2
17	35654-000012	Receptacle Cover, 14-50R	1
18	35654-000010	Receptacle Cover, L14-30R	1
19	35660-000075	Wiring Harness, Control Panel	1
20	90305-000016	M4 Hexagon Flange Nut, White Zinc	18
21	90408-000029	Flat Washer, Ø4 x Ø12 x 0.7, Black Zinc	8
22	90103-000017	M3 x 6 Screw, Blk Zn	8

# FRAME ASSEMBLY PARTS DIAGRAM

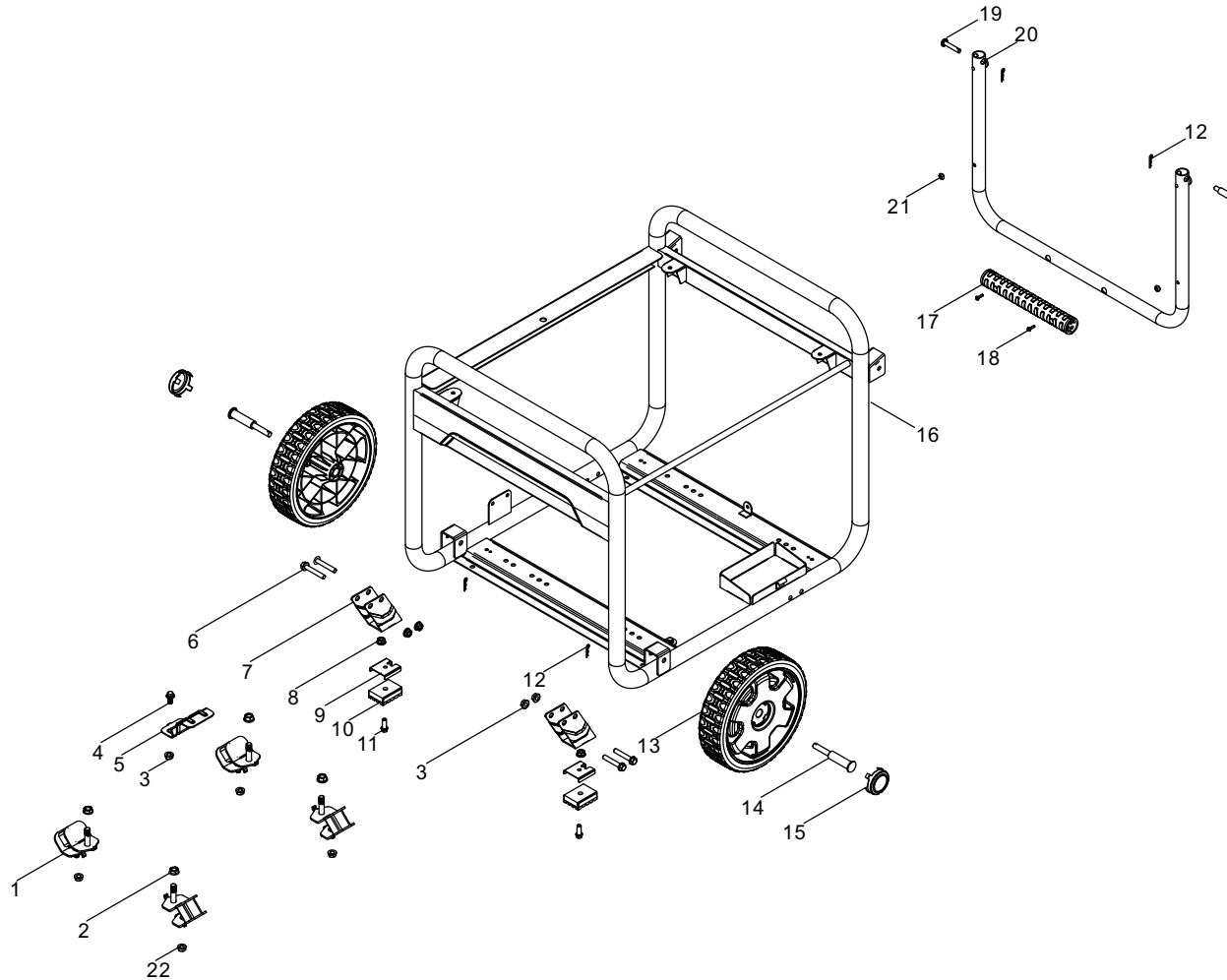


Figure H

**FRAME ASSEMBLY PARTS LIST**

#	Part Number	Description	Qty.
1	51005-000015	Vibration Mount, Frame	4
2	90306-000002	M10 Hex Flange Nut, Blk Zn	4
3	90305-000011	M8 Hex Flange Nut, Blk Zn	5
4	90001-000041	M8 x 16 Hex Flange Bolt, Blk Zn	1
5	24329-000006	Block 2	1
6	90001-000054	M8 x 50 Hex Flange Bolt, Blk Zn	4
7	51016-000011	Support Leg	2
8	90305-000008	M6 Hex Flange Nut, Blk Zn	2
9	24329-000008	Block 1	2
10	51014-000017	Vibration Mount, Support Leg	2
11	90001-000025	M6 x 20 Hex Flange Bolt, Blk Zn	2
12	90583-000001	R Pin, Blk Zn	4
13	44110-000008	8in. Wheel, Yellow	2
14	44020-000011	Roll Pin, L=102.5, Blk Zn	2
15	44001-000003	Decorated Hubcap	2
16	51100-000074	Frame Assy, 665 x 555 x 545	1
17	54101-000006	Handle Sheath, 25 x 233	1
18	90103-000007	M4 x 16 Screw, Blk Zn	2
19	90504-000002	Pin Shaft, Blk Zn	2
20	54110-000016	Handle, 580 x 385 x 31	1
21	90722-000006	End Plug	2
22	90305-000011	M8 Hex Flange Nut, Blk Zn	4

# WIRING DIAGRAM

