

INSTALLATION MANUAL

HOME STANDBY GENERATOR

Model 201391 (10 kW)

Model 201249 (18 kW)

Model 201202 (22 kW)

Model 201244 (26 kW)



ACTIVATE YOUR WARRANTY

by registering your product:
championpowerequipment.com



 1-877-338-0999

or visit championpowerequipment.com

SAVE THESE INSTRUCTIONS. This manual contains important safety precautions which should be read and understood before operating the product. Failure to do so could result in serious injury. This manual should remain with the product.

Specifications, descriptions and illustrations in this manual are as accurate as known at the time of publication, but are subject to change without notice.

No part of this publication may be reproduced or used in any form by any means – graphic, electronic or mechanical, including photocopying, recording, taping or information storage and retrieval systems – without the written permission of Champion Power Equipment (CPE).

Have questions or need assistance?
Do not return this product to the store!

WE ARE HERE TO HELP!

Visit our website:

www.championpowerequipment.com

for more info:

Product Info & Updates

Tech Bulletins

Frequently Asked Questions

Product Registration

– or –

Call our Customer Care Team Toll-Free at:

1-877-338-0999

TABLE OF CONTENTS

Introduction	5	Site Selection, Preparation and Placement	28
Home Standby Generator	5	Installation Preparation	31
Parts Included	5	Battery Charger	43
Tools Included	5	Surge protection	46
Safety	6	AVR / ASR = Automatic Voltage Regulator / Speed Regulator (2 in 1)	47
Safety Definitions	6	Controls and Features	48
Important Safety Instructions	7	AVR/ASR - Automatic Voltage Regulator / Electric Speed Regulator (2 in 1)	48
Carbon Monoxide Hazards	7	ATS Transfer Fuse	48
Installation Hazards	8	Potentiometer	49
Before Starting	8	Exterior Warning LED	49
Operation Hazards	8	Generator ON/OFF Switch	49
Accidental Starting	9	fleX Controller™	50
Electrical Shock Hazards	9	State	51
Fuel Safety	9	User Settings	52
Burn Hazards	10	Status Icons	54
Entanglement Hazards	10	Transfer Power Direction	55
Battery Hazards	10	Information Icons	55
Safety Symbols	11	Fault Icons	56
Safety Labels and Hang Tags	13	Fault Protection	60
Safety label and Hang Tag locations	15	Fault Code Reset	60
General Information	16	Wi-Fi Setup Method	61
Component Identification - Home Standby (HSB) Generator 10 kW (Model 201391)	16	ATS and HSB Status Using WIFI	63
Component Identification - Home Standby (HSB) Generator 18-22 kW (Model 201249/201202)	17	Programming fleX Controller™	64
Component Identification - Home Standby (HSB) Generator 26 kW (Model 201244)	18	Setting System Time	66
10 kW (Model 201391) Specifications	19	Setting Exercise Time	66
18 kW (Model 201249) Specifications	20	Setting Brownout Delay	67
22 kW (Model 201202) Specifications	21	Setting Power Line Carrier (PLC)	67
26 kW (Model 201244) Specifications	22	PIN Locations	68
Engine Torque Specifications	23	Automatic Transfer Switch (ATS)	68
Master Mixing Assembly Jets (Carburetor System)	23	fleX Controller™ Module	69
Alternator Overview	24	ATS Installation	69
Unpacking	25	Bond Mode	69
Installation	26	Full System Check	69
Placement & Installation Guidelines for Champion Home Standby Generators to Reduce the Risk of Fire	26	Commissioning the ATS	69
Intertek Group PLC Label	27	HSB Test	70
		HSB Tests Under Load	71
		Checking Automatic Operation	71
		Installing Standby Generator to non-fleX Controller™ ATS	71
		Two-Wire Connection	72
		Customer Familiarization Summary	73

Maintenance **73**

201020 ATS Wiring Diagram **74**

201039 ATS Wiring Diagram **75**

201355 ATS Wiring Diagram **76**

Troubleshooting HSB **77**

 HSB, ATS Model & Serial Reference ATS Back-up Circuits 79

INTRODUCTION

Congratulations on your purchase of a Champion Power Equipment (CPE) product. CPE designs, builds, and supports all of our products to strict specifications and guidelines. With proper product knowledge, safe use, and regular maintenance, this product should bring years of satisfying service.

Every effort has been made to ensure the accuracy and completeness of the information in this manual at the time of publication, and we reserve the right to change, alter and/or improve the product and this document at any time without prior notice.

CPE highly values how our products are designed, manufactured, operated, and serviced as well as providing safety to the operator and those around the generator. Therefore, it is **IMPORTANT** to review this product manual and other product materials thoroughly and be fully aware and knowledgeable of the assembly, operation, dangers and maintenance of the product before use. Fully familiarize yourself, and make sure others who plan on operating the product fully familiarize themselves too, with the proper safety and operation procedures before each use. Please always exercise common sense and always err on the side of caution when operating the product to ensure no accident, property damage, or injury occurs. We want you to continue to use and be satisfied with your CPE product for years to come.

When contacting CPE about parts and/or service, you will need to supply the complete model and serial numbers of your product. Transcribe the information found on your product's nameplate label to the table below

CPE TECHNICAL SUPPORT TEAM
1-877-338-0999
MODEL NUMBER
SERIAL NUMBER
DATE OF PURCHASE
PURCHASE LOCATION

HOME STANDBY GENERATOR

This home standby generator is intended exclusively for outdoor installation. This generator will operate using either liquified petroleum gas (LPG) or natural gas (NG).

This generator is designed to supply typical home load such as:
Induction motors – sump pumps, refrigerators, air conditioners, furnaces

Electronic items – televisions, computers

Household lighting

Microwaves

This generator is not intended for use in critical life support applications.

Proper sizing of the generator is required to ensure safe operation of appliances. Some appliances require additional wattage to start and must be considered in the sizing of the generator.

Parts Included

Your HSB ships with the following:

Operators Manual

Installation Manual

Flexible Fuel Line

HSB Enclosure Keys

Battery Series Cable

Battery Hardware (10 kW [Model 201391] only)

4 pieces - lock nut M6

4 pieces - washer, Ø6 mm

4 pieces - flange bolt, M6 x 16

Master Mixer Assembly

Battery Terminal Felt Washers

Battery Terminal Dielectric Grease

Hurricane Pad Hardware

4 pieces - washer, Ø0.375-in USS

4 pieces - flange bolt, 0.375-16 x 2.46-in
(10 kW [Model 201391] only)

4 pieces - flange bolt, 0.375-16 x 2.00-in
(18-26 kW [Model 201249/201202/201244] only)

Tools Included

Jet block tool for changing NG to LPG

4 mm allen wrench

(18-26 kW [Model 201249/201202/201244] only)

Small back panel tool

5 mm allen wrench

(18-26 kW [Model 201249/201202/201244] only)

SAFETY

Safety Definitions

The purpose of safety symbols is to attract your attention to possible dangers. The safety symbols, and their explanations, deserve your careful attention and understanding. The safety warnings do not by themselves eliminate any danger. The instructions or warnings they give are not substitutes for proper accident prevention measures.

DANGER

DANGER indicates a hazardous situation which, if not avoided, will result in death or serious injury.

WARNING

WARNING indicates a hazardous situation which, if not avoided, could result in death or serious injury.

CAUTION

CAUTION indicates a hazardous situation which, if not avoided, could result in minor or moderate injury.

NOTICE

NOTICE indicates information considered important, but not hazard-related (e.g., messages relating to property damage).

IMPORTANT SAFETY INSTRUCTIONS

⚠ WARNING

Cancer and Reproductive Harm – www.P65Warnings.ca.gov

Carbon Monoxide Hazards

⚠ DANGER

Generator exhaust contains carbon monoxide (CO), a colorless, odorless, poisonous gas. Breathing carbon monoxide (CO) will cause nausea, dizziness, fainting or death. If you start to feel dizzy or weak, get to fresh air immediately.

GENERATOR MUST BE INSTALLED AND OPERATED OUTDOORS ONLY.

Carbon monoxide (CO) poisoning symptoms include but are not limited to the following:

- Lightheadedness, dizziness, blurred vision
- Physical fatigue, weakness in joints and muscles
- Mental fatigue, sleepiness, inability to concentrate or speak clearly,
- Stomachache, vomiting, nausea

In the event of carbon monoxide (CO) poisoning:

- Seek fresh air immediately
- DO NOT sit, lie down or fall asleep.
- Alert others to the possibility of carbon monoxide (CO) poisoning.
- If the affected person does not improve within minutes of breathing fresh air, call 911 immediately for medical assistance.

⚠ DANGER

Carbon Monoxide (CO) is a colorless, odorless, poisonous gas. Breathing carbon monoxide will cause nausea, dizziness, fainting or death.

Generator must be installed and operated outdoors only.

NEVER allow exhaust fumes to enter a confined area through windows, doors, air intake vents or other openings of the building.

ALWAYS avoid breathing exhaust fumes when near an operating generator.

NEVER alter the generator or modify the exhaust system thereby creating noncompliance with Federal and State emissions regulations, local applicable codes, standards and laws.

NEVER allow blockage of the engine's air intake cooling ventilation system. Doing so can seriously affect performance and safe operation of the generator.

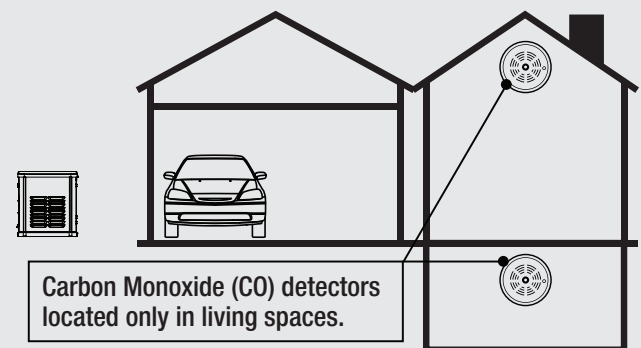
⚠ WARNING

Always install a battery-operated Carbon Monoxide (CO) detector on each level of any building or home dwelling adjacent to the generator location following the Carbon Monoxide (CO) detector manufacturer's installation instructions.

In many U.S. States and Canadian Provinces, it is required by law to have a Carbon Monoxide (CO) detector installed on each level of an occupied building or home dwelling.

The Carbon Monoxide (CO) detector is a device that detects elevated levels of poisonous Carbon Monoxide (CO) gas and will alert the occupants by flashing a visual light indicator and an audible alarm.

The Carbon Monoxide (CO) detector alarm will not sense smoke, fire, or any other poisonous gas other than carbon monoxide.



⚠ WARNING

Smoke alarms cannot detect Carbon Monoxide (CO) gas.

To better educate yourself about all carbon monoxide risks, go to www.takeyourgeneratoroutside.com

⚠ WARNING

Do not use generator for medical life support uses.

In case of emergency, call 911 immediately.

NEVER use this product to power life support devices or life support appliances.

Inform your electricity provider immediately if you or anyone in your household depends on electrical equipment to live.

Inform your electrical provider immediately if a loss of power would cause you or anyone in your household to experience a medical emergency.

Installation Hazards**⚠ WARNING**

Always have a qualified electrician or installation technician who are familiar with applicable safety codes, standards and regulations to install and service the generator.

ALWAYS comply with local, state and national electrical and building codes when installing the generator.

NEVER alter the recommended installation in a way that would render the unit non compliant with these codes.

ALWAYS comply with regulations that Occupational Safety and Health Administration (OSHA) has established.

ALWAYS follow the generator manufacturer's instructions.

Before Starting**⚠ WARNING**

Before operation, read and understand the features and controls of the generator, including the safety and maintenance sections of this manual.

The owner/operator is responsible for all periodic maintenance. Complete all scheduled maintenance in a timely manner.

Correct any issue before operating the generator.

The owner/operator is responsible for the safe operation of this generator.

If any portion of this manual is not understood, contact your Champion dealer for assistance before operating the generator.

For service or parts assistance, contact your Champion dealer if repairs are needed.

Operation Hazards**⚠ WARNING**

ALWAYS operate the generator following the manufacturer's instructions. Operating the generator improperly or neglecting maintenance can result in serious injury or possible death.

DO NOT allow children or unqualified persons to operate or service the generator.

NEVER operate the generator with the covers open. Only operate the generator with the covers closed and secured in place.

NEVER leave the generator covers unlocked.

NEVER work on the generator when physically or mentally fatigued. Remain alert at all times when working on the generator.

NEVER operate the generator while under the influence of alcohol or drugs.

NEVER climb or step on any part or components of the generator. Doing so may result in personal injury and cause damage to the exhaust system and/or create leakage to the fuel system.

Accidental Starting

⚠ WARNING

ALWAYS prevent the generator from starting while the covers are open. The generator may crank and start at any time without notice. Follow these steps in order:

1. Pull fuse from fleX Controller™ panel and secure with tape to the panel.
2. Disconnect the NEGATIVE, NEG or (-) battery cable first, and then remove the POSITIVE, POS or (+) battery cable.

To return the generator to service, follow these steps in order:

1. Connect the POSITIVE, POS or (+) battery cable first, and then connect the NEGATIVE, NEG or (-) battery cable.
2. Remove taped fuse from the panel and reinstall into the fleX Controller™.

Electrical Shock Hazards

⚠ WARNING

The generator produces dangerous voltage. Use extreme caution when near the generator while it is operating.

Avoid contact with bare wires, terminals and connections while the generator is operating.

ALWAYS stand on an insulated dry surface to reduce shock hazard if work must be done on an operating generator.

NEVER wear jewelry that can conduct electricity when working on the generator.

NEVER handle any kind of electrical device while hands or feet are wet, while standing in water or while barefoot.

Proper earth grounding of the frame and external electrical conductive components is required by the National Electrical Code (NEC). State and local codes for proper grounding may also apply.

Avoid direct contact with an electric shock victim. Immediately shut down the source of electrical power. If this is not possible, attempt to free the victim from the live conductor using a nonconducting item such as a dry board or rope. If the victim is unconscious, apply first aid and call 911 immediately.

Fuel Safety

⚠ DANGER

PROPANE AND NATURAL GAS ARE HIGHLY FLAMMABLE AND EXPLOSIVE.

Fire or explosion can cause severe burns or death.

Propane/LPG (liquified petroleum gas) and LPG Vapors:

- LPG is a hydrocarbon gas that exists in a liquified form and it's vapors are highly flammable and explosive.
- LPG and it's vapors are under pressure and can cause a fire or explosion if ignited.
- LPG vapors are heavier than air and will settle in low places while dissipating.
- LPG itself is odorless and tasteless. For safety, a chemical is added to give it an odor to help detect leaks quickly.
- If a leak is detected, IMMEDIATELY turn OFF the gas supply.
- In the event of an LPG fire and only when safe to do so, first close the regulator valve OFF and then use a dry powder extinguisher to put out the fire. This is because if a fire is extinguished before the regulator valve is closed OFF, then an explosion hazard condition could be created.
- Always keep the LPG cylinder in an upright position.
- LPG is a skin irritant and can cause severe cold burns similar to frostbite.
- Always wear proper protective gloves when connecting to and disconnecting from a propane bottle.
- Always keep LPG away from sparks, open flames, pilot lights, heat and other sources of ignition.

⚠ DANGER

NG (natural gas) and NG Vapors:

- NG vapors are highly flammable and explosive.
- NG vapors can cause a fire or explosion if ignited.
- NG itself is odorless and tasteless. For safety, a chemical is added to give it an odor to help detect leaks quickly.
- NG is lighter than air and will collect in higher areas.
- If a leak is detected, IMMEDIATELY turn OFF the gas supply.

⚠ DANGER

NEVER allow any flames or smoke near the fuel system.

Wipe up any oil spills immediately.

NEVER allow any combustible materials to be near the generator or to be left in the generator compartment.

ALWAYS keep the surrounding area near the generator clean and free of debris.

Be sure to properly purge the fuel lines and leak-test according to applicable codes before placing the generator in service.

Be sure to regularly inspect the fuel system for leaks. For safety, a chemical is added to Propane/LPG/NG to give it an odor to help detect leaks quickly. Never operate the generator if a fuel leak is present.

Install a fire extinguisher near the generator. Keep it properly charged and be familiar with its use. An ABC rated National Fire Protection extinguisher is appropriate for use on standby electric systems. Contact your local fire department with any questions concerning the fire extinguisher.

⚠ DANGER

NEVER place a gasoline container, gasoline tank, LPG cylinder or any combustible material in the path of the exhaust stream during operation of the generator.

⚠ WARNING

Never use a remote or external fuel supply tank or flexible fuel hose, or any other fuel component that is broken, cut, torn or damaged.

Burn Hazards**⚠ WARNING**

DO NOT touch hot surfaces.

ALWAYS avoid contact with hot exhaust components and gases. Running engines produce heat. Severe burns can occur on contact.

ALWAYS allow hot surfaces to cool to the touch.

Entanglement Hazards**⚠ WARNING**

Use extreme caution when near rotating parts. Rotating parts can entangle hands, feet, hair, clothing and/or accessories. Traumatic amputation or severe laceration can result.

Keep hands and feet away from rotating parts.

Tie up long hair and remove jewelry.

Operate equipment with guards in place.

DO NOT wear loose-fitting clothing, dangling drawstrings or items that could become caught.

Battery Hazards**⚠ WARNING**

Always read and comply with the battery manufacturer's recommendations for procedures concerning proper battery use and maintenance.




Batteries contain sulfuric acid and generate explosive mixtures of hydrogen and oxygen gases. Keep any device that may cause sparks or flames away from the battery to prevent explosion.






Always wear protective glasses or goggles and protective clothing when working with batteries. Always follow the battery manufacturer's instructions on safety, maintenance and installation procedures.

Safety Symbols

Some of the following symbols may be used on this product. Please study them and learn their meaning. Proper interpretation of these symbols will allow you to more safely operate the product.

SYMBOL	MEANING
	Read Operator's Manual. To reduce the risk of injury, user must read and understand operator's manual before using this product.
	Eye protection. Always wear eye protection with side shields marked to comply with ANSI Z87.1
	Wear personal protective equipment
	Safety alert symbol
	Asphyxiation hazard
	Electrical shock hazard
	Entanglement hazard
	Fire hazard
	Fire/Explosion. Fuel and its vapors are extremely flammable and explosive. Fire or explosion can cause severe burns or death.
	Hot Surface. To reduce the risk of injury or damage, avoid contact with any hot surface.

SYMBOL	MEANING
	Sever hazard (rotating blade)
	Crush hazard (top)
	Explosion Hazard. Battery gases are explosive. Keep sparks and flames away from the battery compartment.

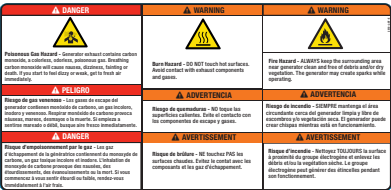



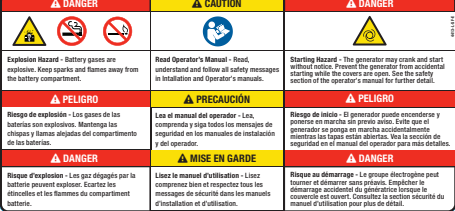
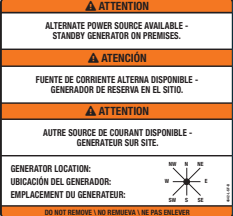
SAFETY LABELS AND HANG TAGS

⚠ WARNING

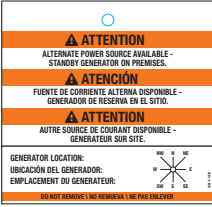
DO NOT operate the generator if there are missing or badly worn safety labels. Safety labels must be legible to alert personnel of safety hazards.

Replace any illegible or missing label immediately. Missing safety labels must be replaced in their original position before the generator is operated.

Labels

	LABEL	DESCRIPTION	PART NO.
A		Poison, Burn and Fire Warning	2510-L-SF
B		Burn Warning	2483-L-SF
C		Electrocution Warning	4647-L-SF
D		Burn Warning	2473-L-SF
E		Explosion Warning, Read OM, Starting Warning	4413-L-SF
F		Alternate Power Source	4642-L-SF

Hang Tags

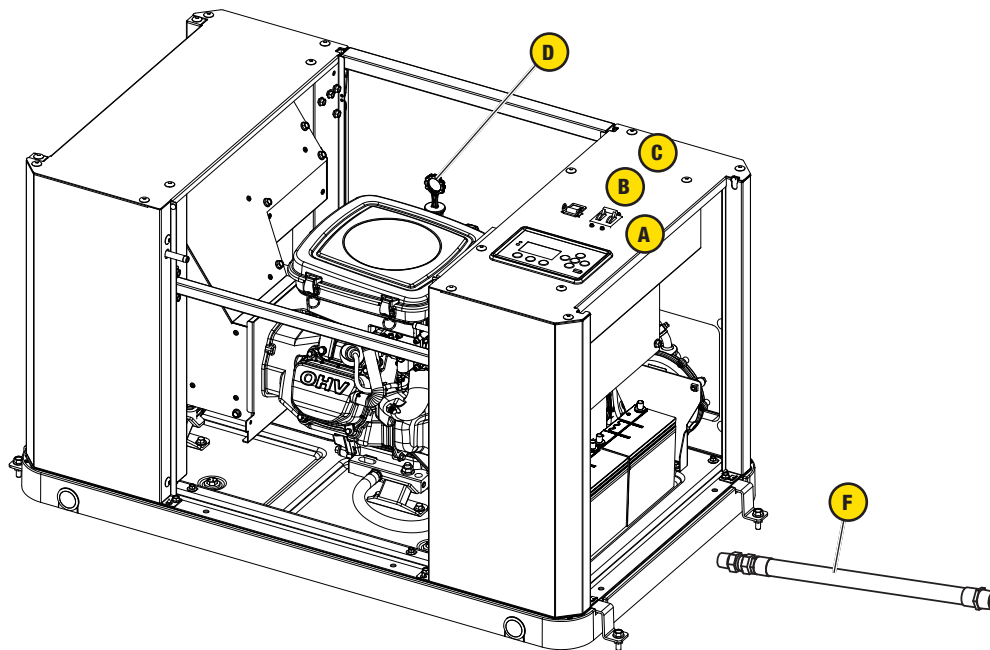
HANG TAG	DESCRIPTION	PART NO.
	<p>Alternate Power Source</p>	<p>1681-T-SF</p>

Safety label and Hang Tag locations

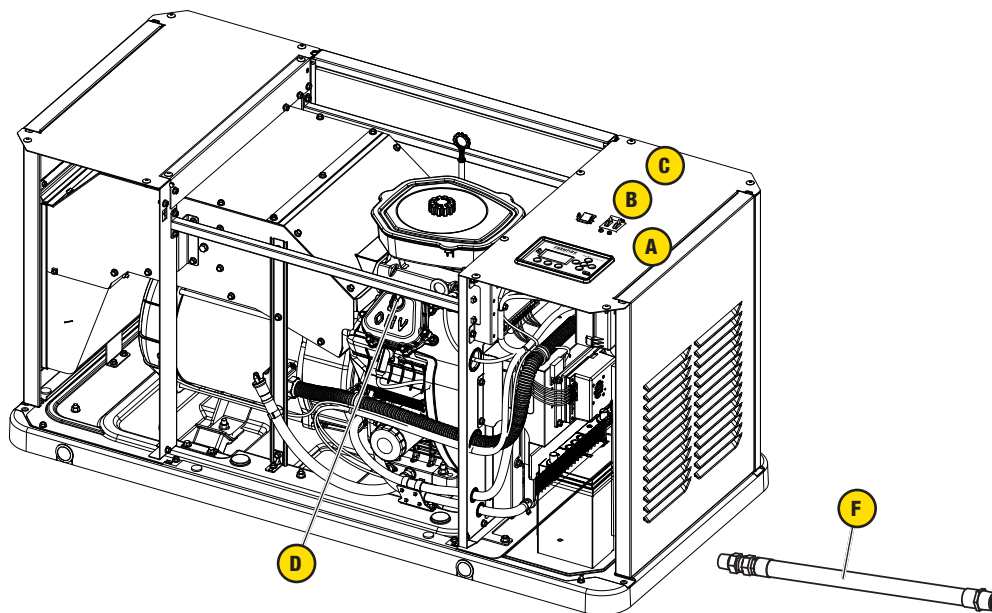
The safety labels have specific placement and must be replaced if they are unreadable, damaged or missing.

If a label comes off or becomes hard to read, contact Technical Support Team for possible replacement.

10 kW (Model 201391)



18-26 kW (Model 201249/201202/201244)

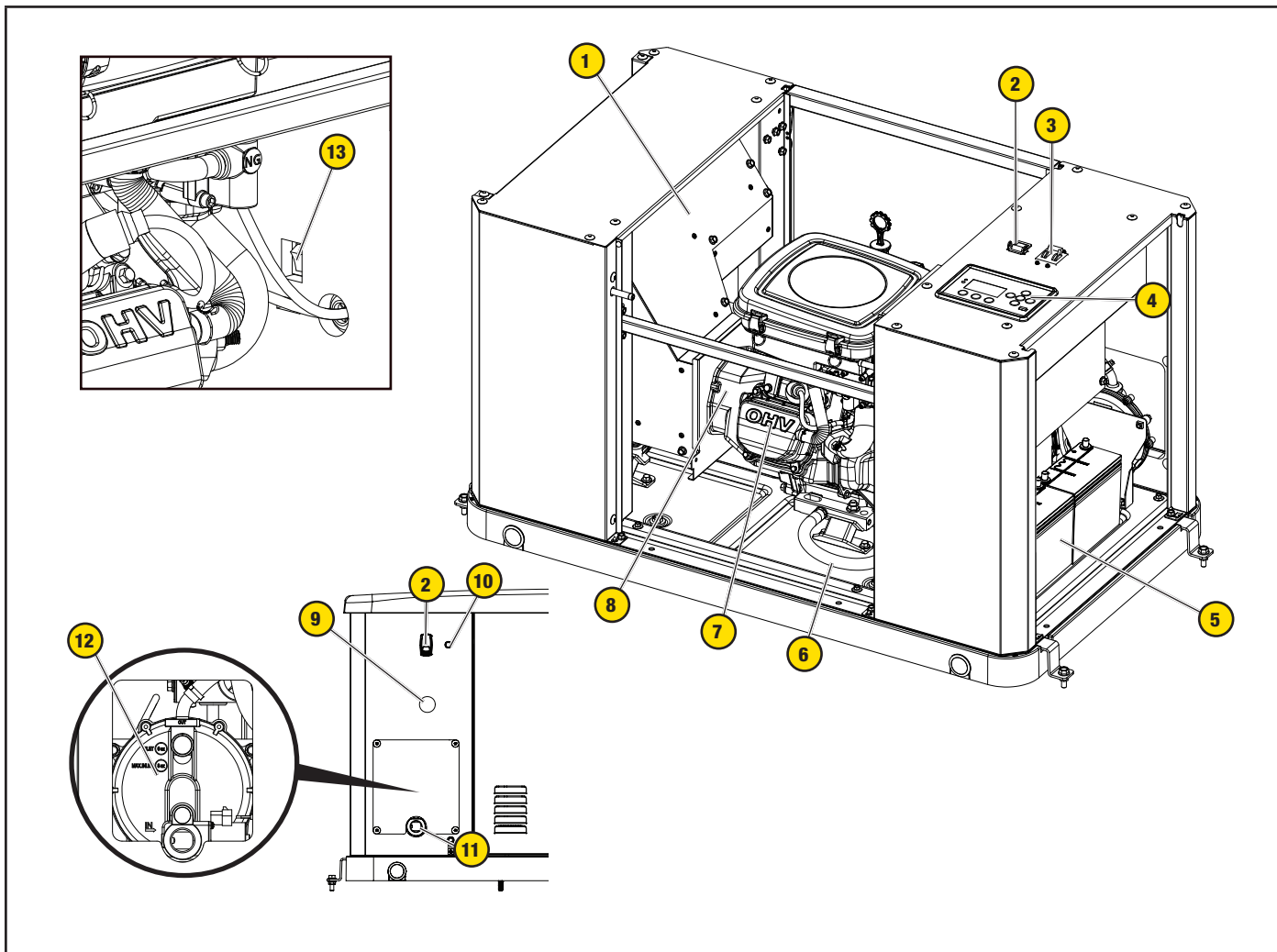


- A. Serial number location
- B. Dataplate
- C. NFPA 37 Compliance

- D. Oil hang tag
- E. Alternate Power Source Hang tag and Label (not shown – in the Operator's Manual bag)
- F. Flexible Fuel Line Hang tag

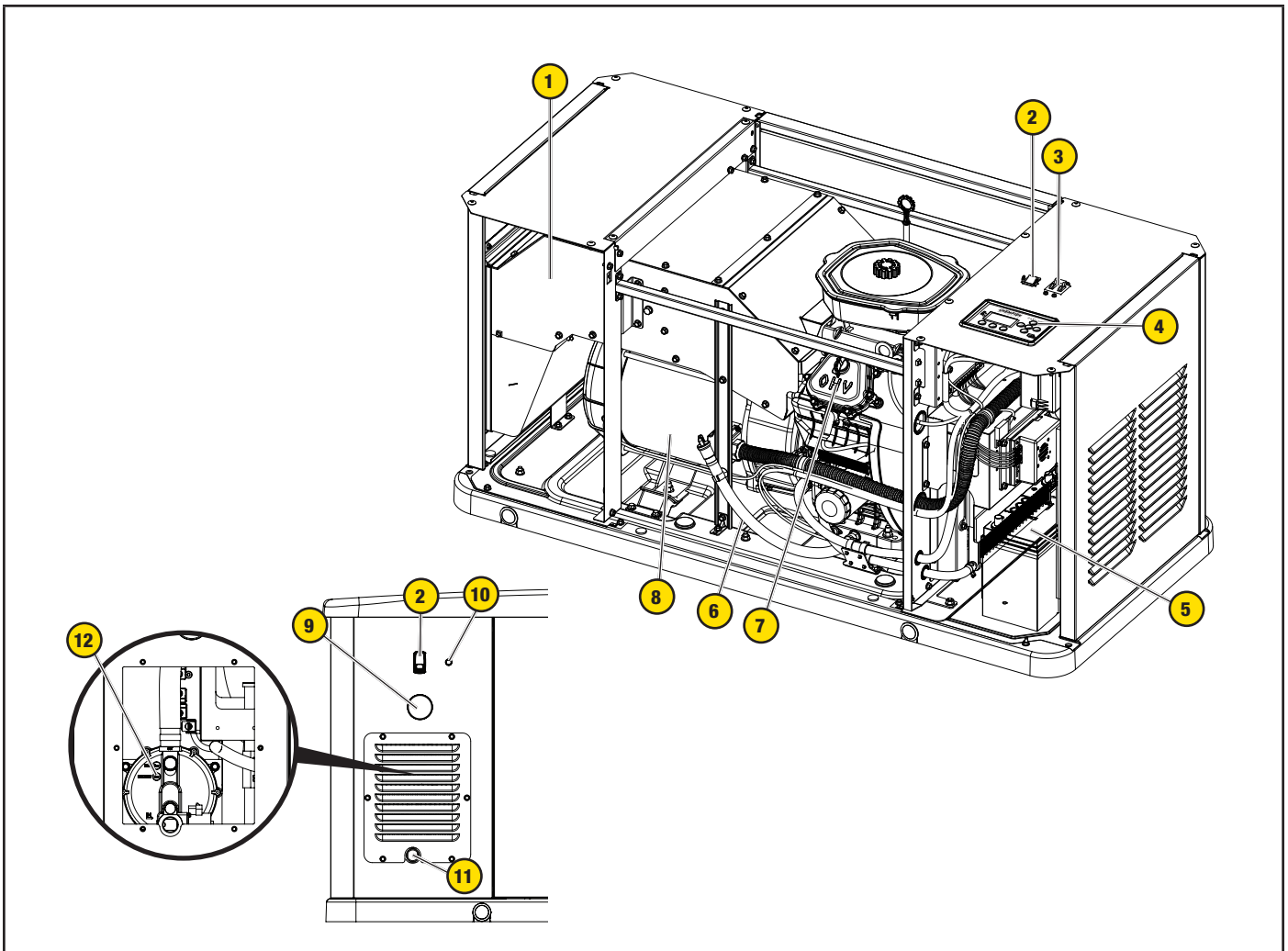
GENERAL INFORMATION

Component Identification - Home Standby (HSB) Generator 10 kW (Model 201391)



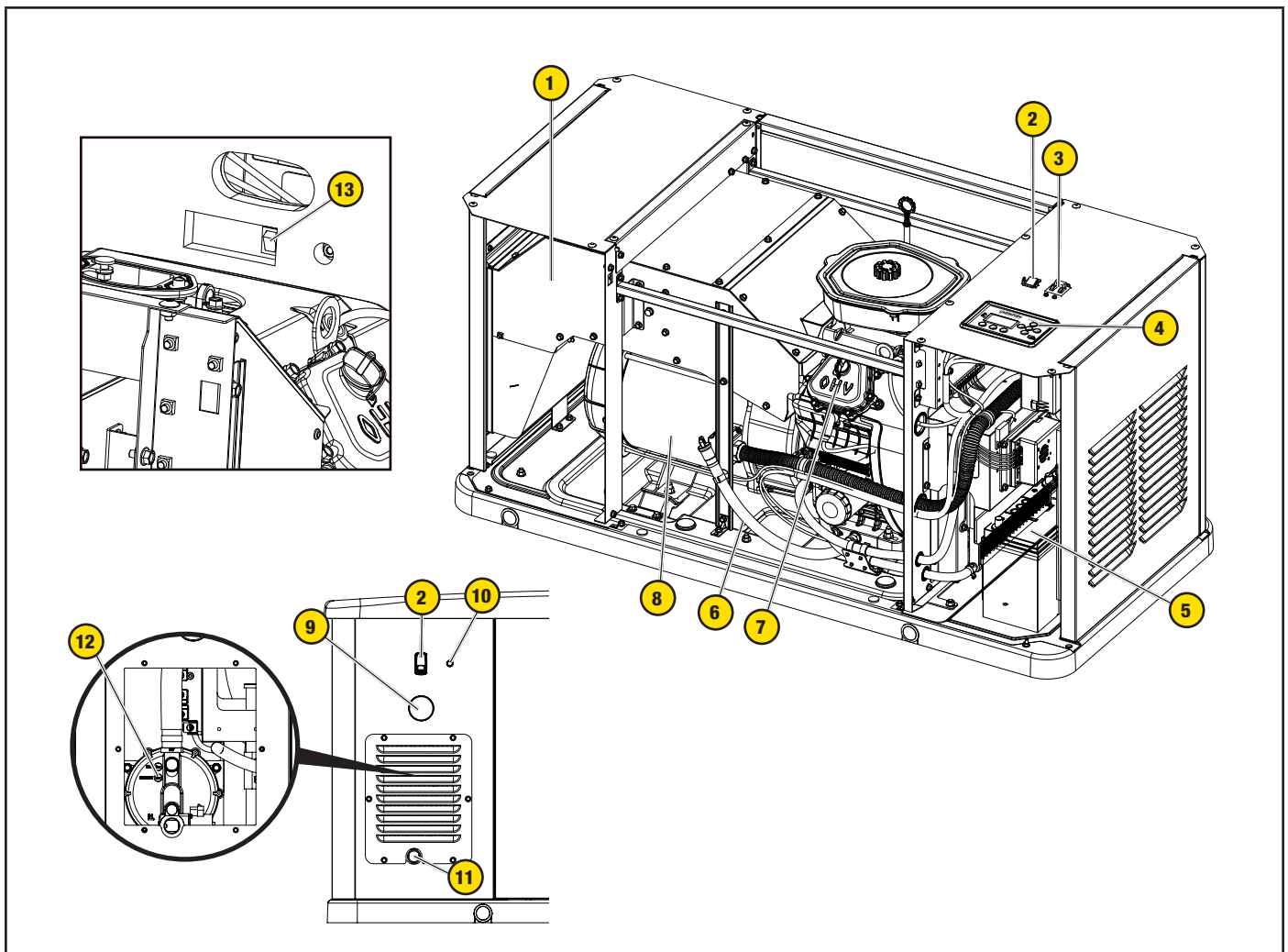
- | | |
|---|--|
| 1. Exhaust System | 7. Engine |
| 2. Generator ON/OFF | 8. Alternator (Inside) |
| 3. Main Circuit Breaker | 9. Electric Conduit Caps |
| 4. flex Controller™ | 10. Exterior Warning LED |
| 5. Batteries (not included, side cover) | 11. Fuel Inlet |
| 6. Oil Drain Hose | 12. Fuel Pressure Reducing Valve/Fuel Shut Off |
| | 13. LPG/NG Ignition Timing Switch |

Component Identification - Home Standby (HSB) Generator 18-22 kW (Model 201249/201202)



- | | |
|---|--|
| 1. Exhaust System | 7. Engine |
| 2. Generator ON/OFF | 8. Alternator |
| 3. Main Circuit Breaker | 9. Electric Conduit Caps |
| 4. fleX Controller™ | 10. Exterior Warning LED |
| 5. Batteries (not included, side cover) | 11. Fuel Inlet |
| 6. Oil Drain Hose | 12. Fuel Pressure Reducing Valve/Fuel Shut Off |

Component Identification - Home Standby (HSB) Generator 26 kW (Model 201244)



- | | |
|---|---|
| 1. Exhaust System | 8. Alternator |
| 2. Generator ON/OFF | 9. Electric Conduit Caps |
| 3. Main Circuit Breaker | 10. Exterior Warning LED |
| 4. fleX Controller™ | 11. Fuel Inlet |
| 5. Batteries (not included, side cover) | 12. Fuel Regulator |
| 6. Oil Drain Hose | 13. LPG/NG Ignition Timing Switch (on the lower right side of the air filter) |
| 7. Engine | |

10 kW (Model 201391) Specifications

Home Standby Generator	
Maximum continuous power, LPG	10 kW
Maximum continuous power, NG	9 kW
Rated voltage	120/240
Amps	83.3/41.7 LPG (propane), 75/37.5 NG (natural gas)
Harmonic distortion	Less than 5%
Main line circuit breaker	45 amp
Phase	Single
Frequency	60 Hz
Unit weight	305.4 lbs. (138.5 kg) (no battery)
Size (L x W x H)	41.7 x 25.8 x 25.2 in. (106 x 65.5 x 64 cm)
Engine	
Type	OHV
No. of cylinders	1
Displacement	500 cc
Cylinder block	Aluminum with cast iron sleeves
Ignition system	TCI (Transistorised Coil Ignition)
Spark plug	Champion RC12YC(NGK-BKR7ES-11)
Governor	Electronic
Starter	Electric 24V DC
Oil capacity- Dry	1.4 US qt (1.3 L)
Oil Type	0W-40 Full Synthetic*
RPM	3600
Controls	
Mode switch auto	Auto start on utility failure
Mode switch manual	Starts on demand
Mode switch off	Stops unit/control and charger active
Ready to run/maintenance messages	Standard
Programmable start delay	Standard
Engine start sequence	Standard
Starter lockout	Standard
Battery charger/low battery indicator	Standard
Charger fault	Standard
AVR over voltage protection	Standard
Low oil protection	Standard
Safety fused	Standard
Overcrank/overspeed/underspeed protection	Standard

*After 25 hours, change oil per maintenance schedule. The recommended oil type for typical use is 0W-40 full synthetic oil. However, using the listed conventional oils shown in the "Recommended Engine Oil Type" chart may be used for typical use. If running generator in extreme temperatures, refer to the "Recommended Engine Oil Type" chart.

18 kW (Model 201249) Specifications

Home Standby Generator	
Maximum continuous power, LPG	18 kW
Maximum continuous power, NG	16.2 kW
Rated voltage	120/240
Amps	150/75 LPG (propane), 130/65 NG (natural gas)
Harmonic distortion	Less than 5%
Main line circuit breaker	82.5 amp
Phase	Single
Frequency	60 Hz
Unit weight	520.4 lbs. (236 kg) (no battery)
Size (L x W x H)	56.3 x 28 x 28.5 in. (143 x 71 x 72.5 cm)
Engine	
Type	OHV Commercial V-Twin
No. of cylinders	2
Displacement	999 cc
Cylinder block	Aluminum with cast iron sleeves
Ignition system	TCI (Transistorised Coil Ignition)
Spark plug	Champion RC12YC(NGK-BKR7ES-11)
Governor	Electronic
Starter	Electric 24V DC
Oil capacity- Dry	3.4 US qt (3.2 L)
Oil capacity- With oil filter change	2.5 US qt (2.4 L)
Oil Type	0W-40 Full Synthetic*
RPM	3600
Controls	
Mode switch auto	Auto start on utility failure
Mode switch manual	Starts on demand
Mode switch off	Stops unit/control and charger active
Ready to run/maintenance messages	Standard
Programmable start delay	Standard
Engine start sequence	Standard
Starter lockout	Standard
Battery charger/low battery indicator	Standard
Charger fault	Standard
AVR over voltage protection	Standard
Low oil protection	Standard
Safety fused	Standard
Overcrank/overspeed/underspeed protection	Standard

*After 25 hours, change oil per maintenance schedule. The recommended oil type for typical use is 0W-40 full synthetic oil. However, using the listed conventional oils shown in the "Recommended Engine Oil Type" chart may be used for typical use. If running generator in extreme temperatures, refer to the "Recommended Engine Oil Type" chart.

22 kW (Model 201202) Specifications

Home Standby Generator	
Maximum continuous power, LPG	22 kW
Maximum continuous power, NG	19.8 kW
Rated voltage	120/240
Amps	183.4/91.7 LPG (propane), 165/82.5 NG (natural gas)
Harmonic distortion	Less than 5%
Main line circuit breaker	100 amp
Phase	Single
Frequency	60 Hz
Unit weight	557.9 lbs. (253 kg) (no battery)
Size (L x W x H)	56.3 x 28 x 28.5 in. (143 x 71 x 72.5 cm)
Engine	
Type	OHV Commercial V-Twin
No. of cylinders	2
Displacement	999 cc
Cylinder block	Aluminum with cast iron sleeves
Ignition system	TCI (Transistorised Coil Ignition)
Spark plug	Champion RC12YC(NGK-BKR7ES-11)
Governor	Electronic
Starter	Electric 24V DC
Oil capacity- Dry	3.4 US qt (3.2 L)
Oil capacity- With oil filter change	2.5 US qt (2.4 L)
Oil Type	0W-40 Full Synthetic*
RPM	3600
Controls	
Mode switch auto	Auto start on utility failure
Mode switch manual	Starts on demand
Mode switch off	Stops unit/control and charger active
Ready to run/maintenance messages	Standard
Programmable start delay	Standard
Engine start sequence	Standard
Starter lockout	Standard
Battery charger/low battery indicator	Standard
Charger fault	Standard
AVR over voltage protection	Standard
Low oil protection	Standard
Safety fused	Standard
Overcrank/overspeed/underspeed protection	Standard

*After 25 hours, change oil per maintenance schedule. The recommended oil type for typical use is 0W-40 full synthetic oil. However, using the listed conventional oils shown in the "Recommended Engine Oil Type" chart may be used for typical use. If running generator in extreme temperatures, refer to the "Recommended Engine Oil Type" chart.

26 kW (Model 201244) Specifications

Home Standby Generator	
Maximum continuous power, LPG	26 kW
Maximum continuous power, NG	23.4 kW
Rated voltage	120/240
Amps	216.6/108.3 LPG (propane), 195/97.5 NG (natural gas)
Harmonic distortion	Less than 5%
Main line circuit breaker	120 amp
Phase	Single
Frequency	60 Hz
Unit weight	577.7 lbs. (262 kg) (no battery)
Size (L x W x H)	56.3 x 28 x 28.5 in. (143 x 71 x 72.5 cm)
Engine	
Type	OHV Commercial V-Twin
No. of cylinders	2
Displacement	999 cc
Cylinder block	Aluminum with cast iron sleeves
Ignition system	TCI (Transistorised Coil Ignition)
Spark plug	Champion RC12YC(NGK-BKR7ES-11)
Governor	Electronic
Starter	Electric 24V DC
Oil capacity- Dry	3.4 US qt (3.2 L)
Oil capacity- With oil filter change	2.5 US qt (2.4 L)
Oil Type	0W-40 Full Synthetic*
RPM	3600
Controls	
Mode switch auto	Auto start on utility failure
Mode switch manual	Starts on demand
Mode switch off	Stops unit/control and charger active
Ready to run/maintenance messages	Standard
Programmable start delay	Standard
Engine start sequence	Standard
Starter lockout	Standard
Battery charger/low battery indicator	Standard
Charger fault	Standard
AVR over voltage protection	Standard
Low oil protection	Standard
Safety fused	Standard
Overcrank/overspeed/underspeed protection	Standard

*After 25 hours, change oil per maintenance schedule. The recommended oil type for typical use is 0W-40 full synthetic oil. However, using the listed conventional oils shown in the "Recommended Engine Oil Type" chart may be used for typical use. If running generator in extreme temperatures, refer to the "Recommended Engine Oil Type" chart.

Engine Torque Specifications

Crankcase Cover Bolts	18.4 lbf-ft (25 Nm)
Connecting Rod Bolts	18.4 lbf-ft (25 Nm)
Rocker Cover Screws	7 lbf-ft (10 Nm)
Cylinder Head Bolts	33.2 lbf-ft (45 Nm)
Intake Manifold Screws	16.2 lbf-ft (22 Nm)
Carburetor to Intake Manifold	7 lbf-ft (10 Nm)
Blower Housing	7 lbf-ft (10 Nm)
Flywheel Nut	118 lbf-ft (160 Nm)
Ignition Coil Bolts	7 lbf-ft (10 Nm)
Starter Motor Bolts	16.2 lbf-ft (22 Nm)
Spark Plug	14.8 lbf-ft (20 Nm)
Air Cleaner box to Carb	7 lbf-ft (10 Nm)
Exhaust pipe nuts	25.8 lbf-ft (35 Nm)

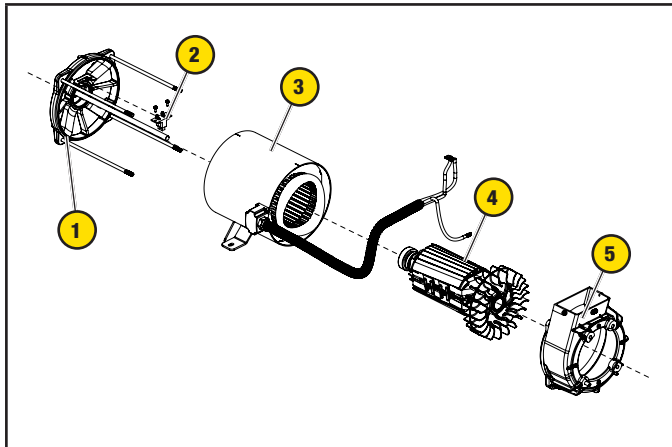
Master Mixing Assembly Jets (Carburetor System)

Idle/low-speed Jet	NA
Main Jet	1.1 lbf-ft (1.5 Nm)
Fuel Inlet Chamber Screws	0.7 lbf-ft (1 Nm)

Alternator Overview

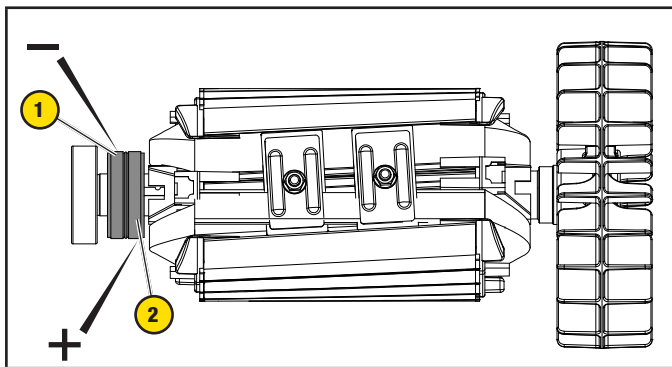
The alternator is made up with the following major components;

1. Rear bearing carrier
2. Brush holder assembly
3. Stator assembly (all copper wire)
4. 2 pole rotor (all copper wire)
5. Engine adapter



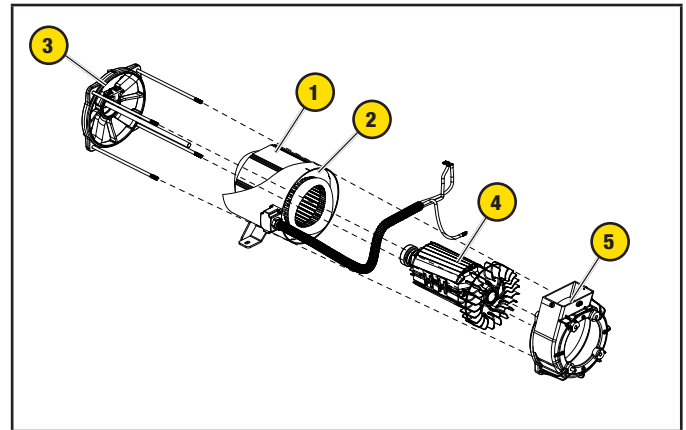
ROTOR ASSEMBLY

The alternator has a 2-pole rotor, which means the rotor has a single south magnetic pole and a single north magnetic pole. As the rotor spins, its magnetic field passes through the stator assembly windings and voltage is induced into the stator windings. This is known as induction. The rotor shaft has a negative (-) slip ring (1) and a positive (+) slip ring (2), with the negative (-) nearest the bearing carrier. The rotor shaft is held in place with single through bolt.



STATOR ASSEMBLY

The stator houses AC power windings (1) and excitation windings (2). It is held in place with 4 bolts that pass through the bearing carrier (3) and engine adapter (5), then attached to the engine mounting flange. In combination with the rotor assembly (4), they generate the electrical output of the HSB.

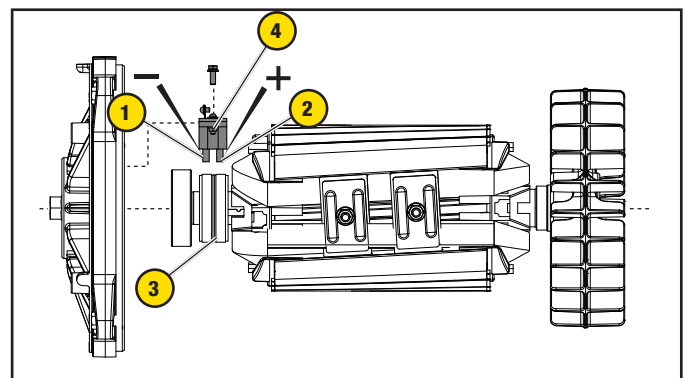


BRUSH HOLDER AND BRUSHES

The brush holder is a component that holds the brushes in a stationary position enabling them to maintain contact with the rotating surface commutator rings on the rotor. The brush holder (4) is attached to the rear bearing carrier by means of two M6 x 12 bolts. A negative (-) brush (1) and a positive (+) brush (2) are retained in the brush holder (4). The negative (-) brush rides on the slip ring nearest the bearing carrier. The brushes are spring loaded to maintain contact.

A RED wire connects to the positive (+) brush and a BLACK wire to the negative (-) brush. Rectified and regulated excitation current, as well as current from the field boost circuit, are delivered to the rotor windings via the RED wire, and the positive (+) brush and slip ring. The excitation and field boost current passes through the windings and to the frame ground via the negative (-) slip ring and brush, and the BLACK wire.

The current flow creates a magnetic field around the rotor having a flux concentration that is proportional to the amount of current flow.



UNPACKING

WARNING

The HSB weighs more than 500 lbs. (227 kg).
Use the aid of additional assistants and exercise caution during installation.

Inspect the generator for damaged or loose parts. DO NOT operate the generator if any components are damaged or loose. Contact your dealer for assistance.

1. Cut banding straps.
2. Remove top lid.
3. Remove center cardboard supporting rib.
4. Lift cardboard housing and set aside.
5. Remove plastic covering and set aside.
6. Remove 4 securing clamps. Save if going to use anchor bolts to secure to concrete pad (not supplied).
7. Insert 2 lifting rods (not supplied) into lifting holes at each end of the base.
8. Discard all shipping materials and recycle if possible.

NOTICE

If you know the length of run for wires you may want to install the ATS voltage wires now before setting unit to industry 17.7 in. from fire rated wall and when code permits. Also, install the wires, some of the gas delivery pipes and flex hose now while you have ample room at tailgate height before the generator is put in its permanent location. Use cardboard when kneeling.

INSTALLATION

Placement & Installation Guidelines for Champion Home Standby Generators to Reduce the Risk of Fire

NATIONAL FIRE PROTECTION ASSOCIATION (NFPA) STANDARD NFPA 37 REQUIREMENTS AND TESTING

Requirements:

NFPA 37 2010, section 4.1.4, Engines Located Outdoors.

Engines, and their weatherproof housings if provided, that are installed outdoors shall be located at least 1.5 m (5 ft.) from openings in walls and at least 1.5 m (5 ft.) from structures having combustible walls. A minimum separation shall not be required where either of the following conditions exist:

1. The adjacent wall of the structure has a fire resistance rating of at least 1 hour.
2. The weatherproof enclosure is constructed of noncombustible materials and has been demonstrated that a fire within the enclosure will not ignite combustible materials outside the enclosure.

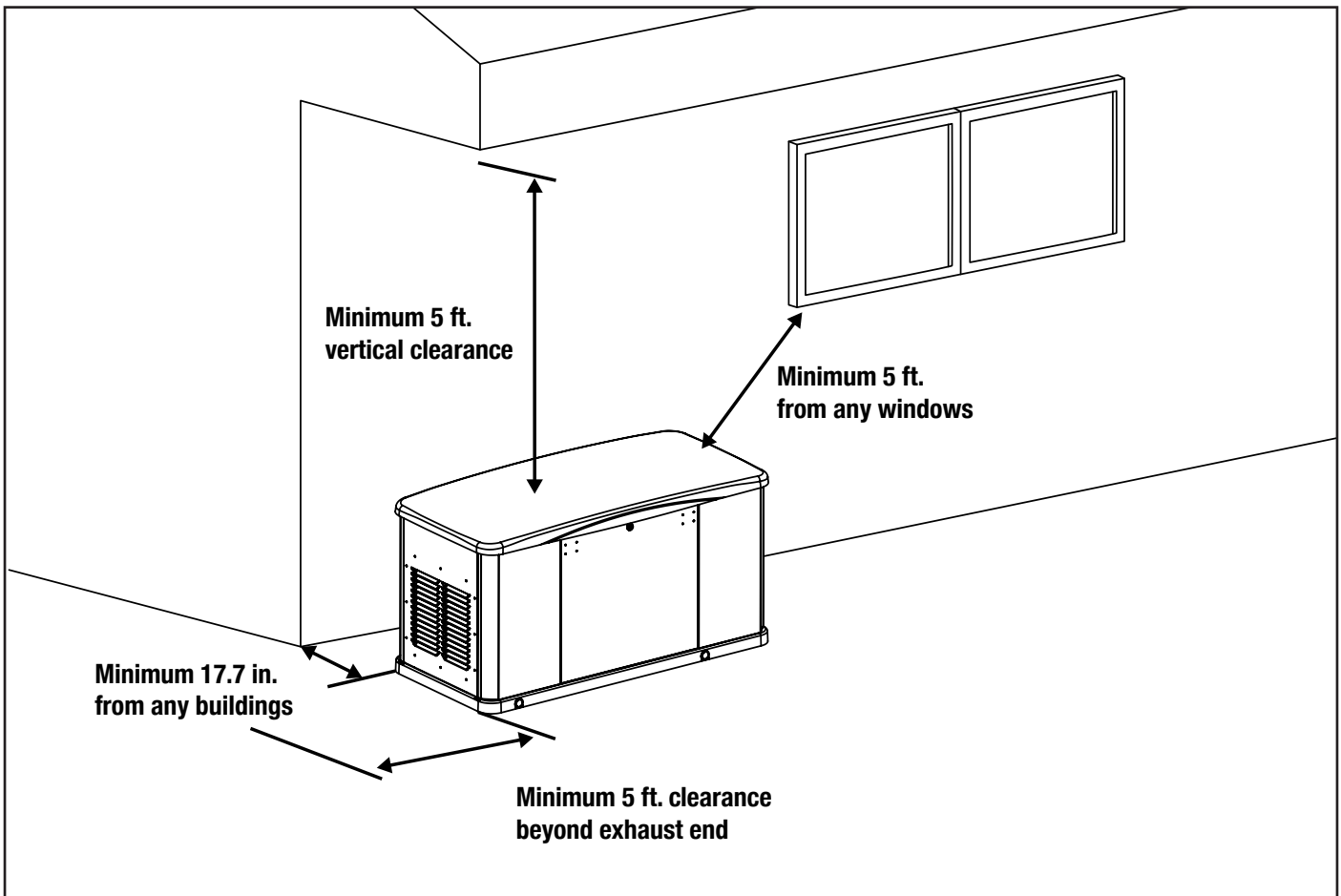
Annex A Explanatory Material

A.4.1.2 (2) Means of demonstrating compliance are by means of full-scale fire tests or by calculating procedures, such as those given in NFPA 555, Guide on Methods for Evaluating Potential for Room Flashover.

To comply with condition 2 the weatherproof enclosure has been constructed of non-combustible materials and full-scale fire tests have been performed to demonstrate that a fire within the enclosure will not ignite combustible materials outside the enclosure.





Based on this testing and the requirements of NFPA 37, Sec. 4.1.4, the guidelines for installation of the Champion home standby generator are changed to 17.7 inches (45 cm) from the backside of the generator to a combustible wall. All other location and distances remain the same as noted in the Operators and Installation manuals.

These guidelines are based upon fire testing of the generator enclosure and Champion's requirement for air flow for proper operation. Local codes may be different and more restrictive.



Intertek Group PLC Label

Located inside the generator, near the serial number or nameplate label.

10 kW (Model 201391)	18 kW (Model 201249)	22 kW (Model 201202)	26 kW (Model 201244)
			

NFPA® 37 Standard for the Installation and Use of Stationary Combustion Engines and Gas Turbine

The National Fire Protection Association (NFPA) standard NFPA 37 establishes criteria for minimizing the hazard of fire during the installation and operation of stationary combustion engines. NFPA 37 limits the spacing of an enclosed generator from openings in walls, structures and combustible materials outside the enclosure.

NFPA 37 (2015): Section 4.1.4 stipulates that engines installed outdoors shall be located at least 5 ft. (1.5 m) from structures having combustible walls. Further, a minimum separation shall not be required where the following conditions exist:

- All walls of the structure that are closer than 5 ft. from the engine enclosure have a fire resistance rating of at least 1 hr., or
- The weatherproof engine enclosure is constructed of noncombustible materials, and it has been demonstrated that a fire within the enclosure will not ignite combustible materials outside the enclosure.

Intertek Group PLC performed a full-scale fire test under a worst-case fire scenario within the stationary generator enclosure to determine the ignitability of combustible material near the stationary generator. The enclosure is made of non-combustible materials and the results and conclusions of the test indicate that a fire within the enclosure would not pose any risk of ignition to nearby combustible materials or structures. Intertek Group PLC is certifying that this model complies with clause (2) of Section 4.1.4 of NFPA 37 when installed at a minimum distance of 450 mm (17.7 in.) from a combustible wall.

Champion HSB units have been run and tested at the factory prior to shipment. They do not require any type of break-in period.

Site Selection, Preparation and Placement

These items are important to the overall performance of the HSB generator. Many items covered in this section are not optional and are requirements under Federal, State and Local codes. As with all generators, your generator must be installed in accordance with current NFPA-37, NFPA 54, NFPA 58 and NFPA-70 standards. Contact your local electrical inspector or city hall to insure you are aware of all codes and regulations. Install the equipment in compliance with the National Electric Code (NEC). For Canada installations, refer to Canadian Electrical Code (CEC). Contact your natural gas supplier to verify that increased BTU gas demand can be handled with the existing NG meter. The same should be done for LPG fueled generators. This generator in the enclosure is designed to be installed outdoors only.

Champion HSB units are run and tested at the factory prior to being shipped. They do not require any type of break-in period.

SUGGESTED SITE SELECTION

The installation of the HSB must comply strictly with NFPA 37, NFPA 54, NFPA 58 and NFPA 70 standards.

Always install your generator within 20 feet of the NG meter, the closer the better. This will reduce expensive costs of running fuel line. In some cases longer runs of fuel line, when not properly sized may cause inadequate fuel delivery. This could result in poor starting, lower outputs and diminished overall performance of the unit. The Champion HSB is shipped from the factory set up for natural gas (NG) fuel. The HSB can be converted to LPG if required. Orifices in the master mixer assembly (carburetor) MUST be changed. The LPG orifices are shipped with the unit and include installation instructions.

Install the unit in a location where the sump pump discharge, rain gutter downspouts, roof run off, landscape irrigation, natural ponding or water sprinklers will not flood the unit or spray the enclosure entering any inlet or outlet opens.

Position the unit in an area where prevailing winds will carry the exhaust gas away from any potentially occupied building or structure.

Install the unit where leaves, grass, snow, ect., will not obstruct air inlet and outlet openings. If prevailing winds cause blowing or drifting, you may consider building a windbreak, planting trees or shrubs within the guidelines and codes applicable.

Watch out for roof overhangs. Snow, ice or rain shouldn't be permitted to accumulate on the roof and then cascade onto the unit.

⚠ DANGER

Engine exhaust from the unit is hot, poisonous and dangerous.

Exhaust must be allowed to dissipate into a free air zone as listed in the applicable codes with no obstructions.

Direct the HSB exhaust away from or parallel to the building or structure. DO NOT direct the HSB exhaust toward a potentially occupied building, structure, windows, doors, ventilation intakes, soffit vents, crawl spaces, open garage doors or other openings where exhaust gas could accumulate and enter inside or be drawn into potentially occupied buildings or structures.

Install the unit on higher ground where water levels will not rise and endanger it. This unit shouldn't be operated in standing water.

DO NOT place HSB waterproof enclosure under a deck or other type of structure that may confine or restrict airflow. Operate HSB only outdoors, where adequate ventilation and air movement is available. Avoid installations under decks, inside garages or carports, in basements, along home exterior within 5 feet (1.5m) of home vent, roof overhang vents, a window that can be opened, or other such home invasion points. Use the same precautions when installing HSB at property line, close to a neighbor's home, or any building or structure that houses animals.

⚠ DANGER

Running engines give off carbon monoxide (CO), an odorless, colorless, invisible, poisonous gas.

Breathing carbon monoxide (CO) will cause fatigue, headache, dizziness, vomiting and in prolonged conditions, even death. Carbon monoxide (CO) detectors MUST be installed and maintained indoors according to the manufacturer's instructions/recommendations. Smoke alarms cannot detect carbon monoxide (CO) gas.

The back of the HSB locates the fuel and wire entry points. When placement/mounting is done this side generally faces the closest point to each of those sources.

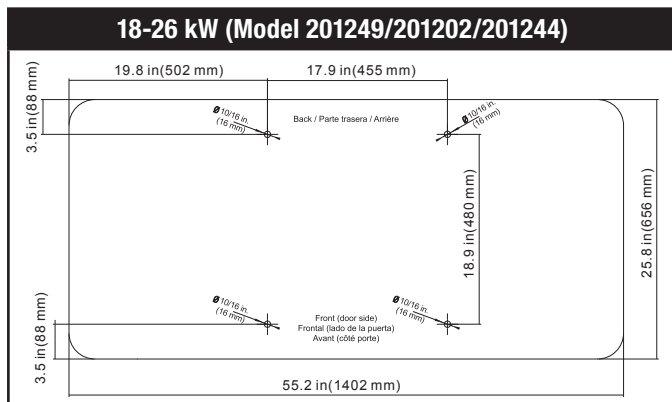
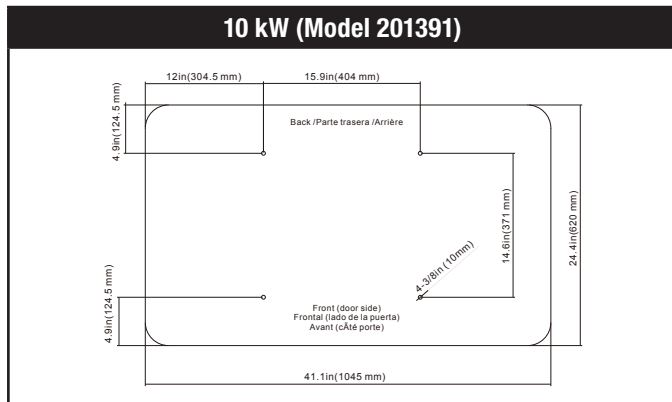
It is always recommended to prepare a drawing showing location of HSB, typical gas utility approach, circuit connections and full load connections.

Similar considerations should be given to the location of the ATS (automatic transfer switch) in relationship to the HSB generator. The closer to both the fuel meter and the main utility panel the better. The key point here is, the closer to fuel meter is the suggested direction to go, wire is cheaper to run and more flexible.

SUGGESTED PREPARATION

A concrete pad can be poured or purchased through Champion and the HSB secured to it. In some areas a concrete pad is required due to high wind potential. Check local codes to see what type of mounting base is required. If a concrete pad is required, all federal, state and local codes should be followed. Unless mandated by federal, state or local code, a concrete pad is not required.

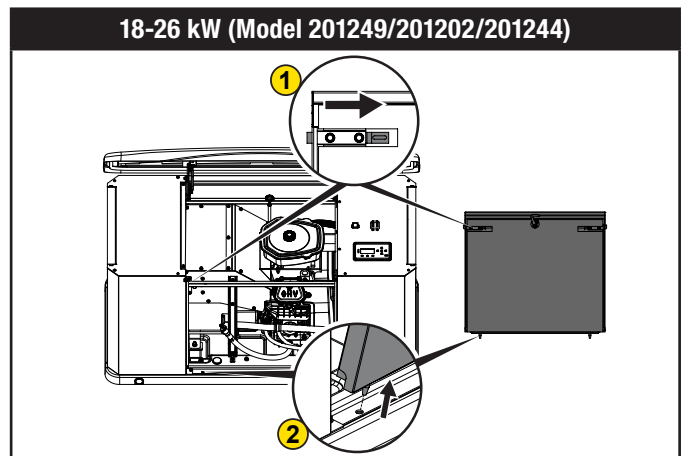
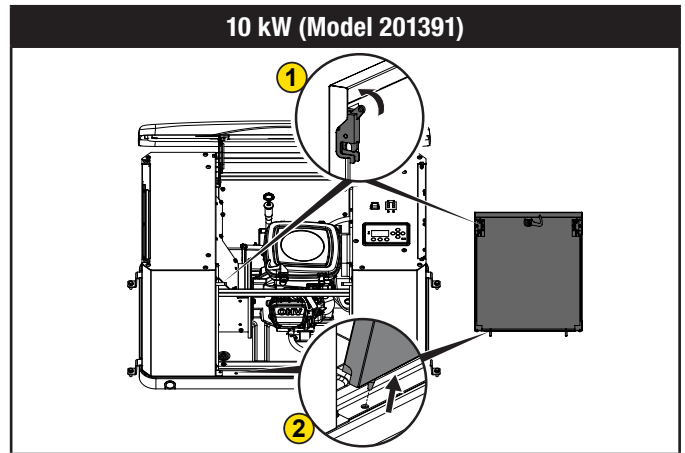
1. Below template may be found on the inside top cover of your home standby packaging or as a loose folded paper insert to help assist you in 1:1 drilling your own holes into your concrete pad if you are not choosing the approved pad.
2. **This template shows the outline of the plastic base on your home standby.**
3. The bolts and washers which tie your home standby to the concrete pad are included for the approved pad only. If you choose your own hardware, they must meet hurricane ratings and fit into the home standby properly. Pay attention to proper torque values noted.



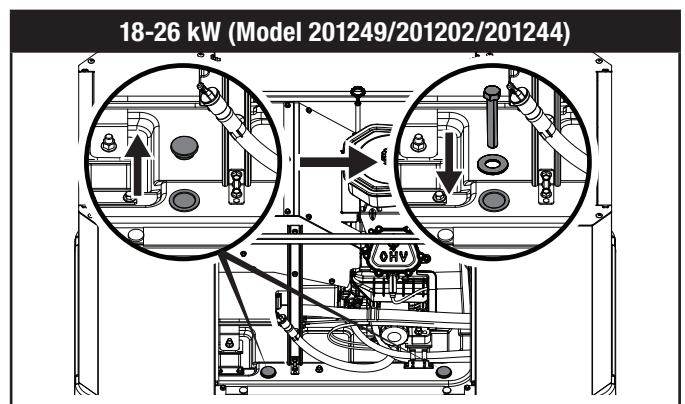
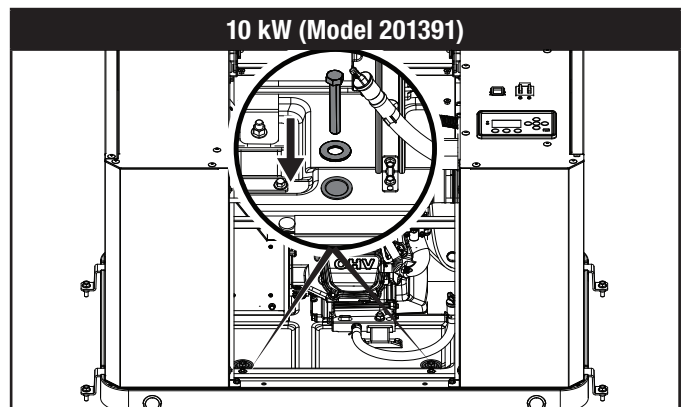
Front

See Enclosure and Access section in the Operator’s Manual for more details on access and panel removal.

1. Open the top cover and remove the front panel. This front panel is held position with 2 spring loaded pins on the inside. Press inward on each side. Tilt back from the top and lift from the base.

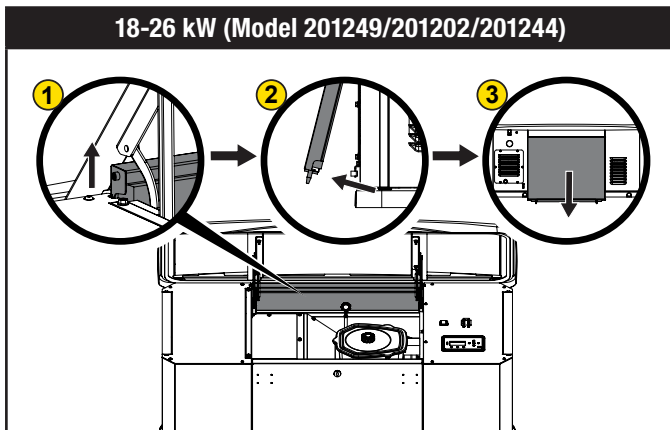
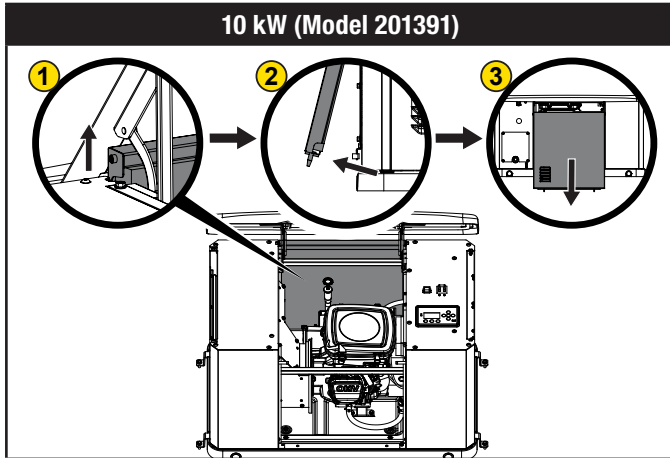


2. Remove bushing cap, and install washer and bolt as shown. Bolt and washer will tighten inside the hurricane bushing below the home standby pan. Torque to 3.2 Nm (2.4 lbf-ft) or hand tight and 1/8 turn more.

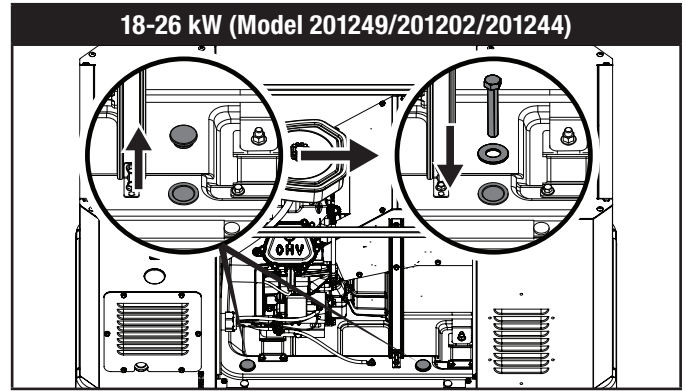
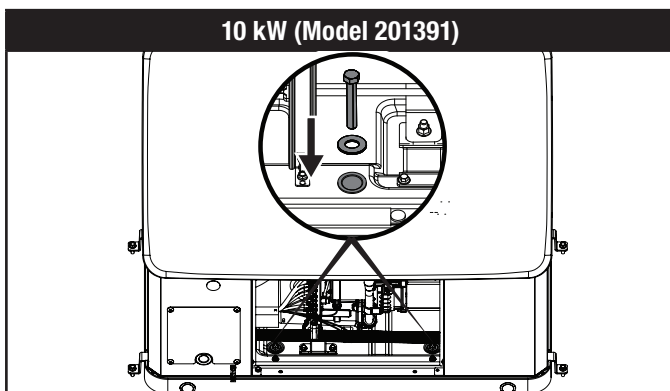


Back

3. With top cover open, from the front, lift up on the back panel, then kick out the bottom edge towards the back once the panel pins clear. From the back, pull the panel down and out from under the top cover.



4. Remove bushing cap, and install washer and bolt as shown. Bolt and washer will tighten inside the hurricane bushing below the home standby pan. Torque to 3.2 Nm (2.4 lbf-ft) or hand tight and 1/8 turn more.

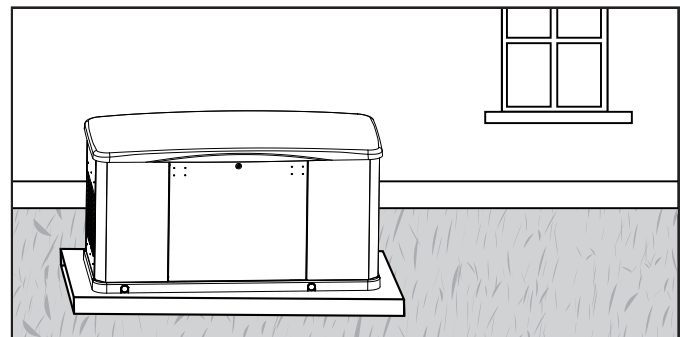


If no concrete pad is being used, Champion recommends using a mixture of pea gravel and sand or crushed stone for placement of the mounting pad. The mounting pad **MUST** be level. The gravel mixture or crushed stone is to permit water runoff, drainage and reduce ponding of water around the HSB.

Dig an area 5 inches (12.7 cm) deep that is 6 inches (15.2 cm) longer and wider than the foot print of the HSB. See *Specifications* section for L x W dimensions.

Cover the dug area with a weed barrier or landscape cloth if desired.

Fill the area with pea gravel and sand mixture or crushed stone. Final stone level must be 2 or 3 inches (5.1 or 7.6 cm) higher than the original ground level to ensure water run-off and drainage.



Compact the fill, this is to provide a firm base for the HSB. Remember the final stone level must be 2 or 3 inches (5.1 or 7.6 cm) higher than the original ground level to ensure water run-off and drainage.

Tools required

1. General SAE and Metric hand tools, wrenches, sockets and screwdrivers.
2. Standard electrician's hand tools, drill and bits.
3. Monometer (for checking fuel pressures).
4. Meter capable of measuring AC/DC Voltage and Frequency
5. Safety apparel

Inspect the unit. Carefully inspect the HSB for any damage that may have occurred during shipment and delivery. If loss or damage is noted at the time of delivery, have the person(s) making delivery note all damage on the freight bill and affix their signature under the consignor's memo of loss or damage. If loss or damage is noted after delivery, separate the damaged materials and contact the carrier for claims procedures. Parts damaged in shipping are not covered under Champion warranty.

Unbox the unit, by removing the exterior shipping carton. If ATS is included, remove the packaging and lift it out. Remove the 4 shipping brackets, 2 on each end that hold the HSB to the wood shipping pallet. This pallet is for shipping/transportation only and cannot be used as a mounting pad in any form. Exercise caution when removing the HSB from the wood pallet, dragging it off the wood pallet will damage the HSB base. The HSB must be lifted from the wood pallet to separate.

Contact your natural gas (NG) supplier about the meter size. Most meters must be replaced with a larger BTU size, due to a larger demand of BTU's from the HSB and appliances during operation (utility outage). This also applies to HSB utilizing LPG.

SUGGESTED PLACEMENT

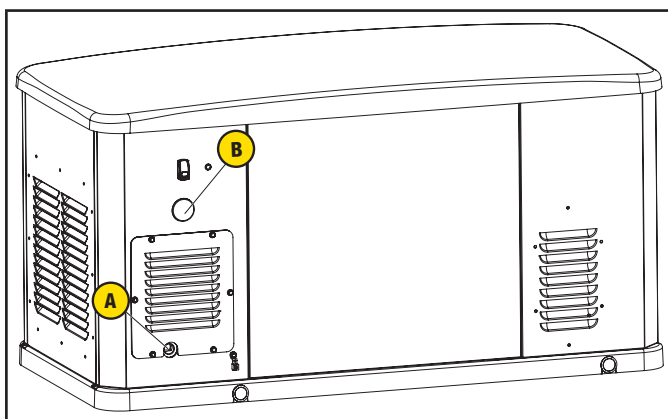
⚠ WARNING

HSBs weigh approximately 300-600 lbs (136-272 kg) depending on the model. Proper tools, equipment and qualified personnel should be used in all phases of handling and moving the HSB. Do not lift or move the HSB without assistance. Do not lift the unit by the roof structure or any other enclosure component as damage to the HSB may occur, including possible injury of persons when handling and or moving the HSB in this manner.

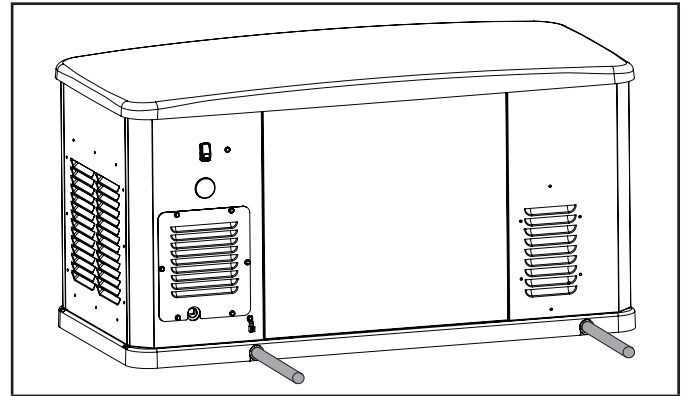
The Site Selection has been completed, all federal, state and local codes have been reviewed and applied as mandated by the NFPA standards and all other related codes/standards.

Preparation has been completed and everything has been properly prepared to place the HSB.

The rear right side of the HSB locates the fuel (A) and electrical (B) entry points. When placement is done this side generally faces the closest point to each of those sources for fuel and electrical entry.



Two (2) 5 feet (1.5 m) lengths of 1 inch (2.5 cm) steel pipe (supplied by the installer), are required to lift the HSB. Insert the steel pipes through the lifting holes located near the HSB base in the composite pad, on each end.



You may also lift the HSB using a properly rated strap, lift, hook and hoist procedure attached to both steel lifting pipes, provided that you use spreader bars to ensure that the belts, chains or cables DO NOT touch/contact the HSB.

Once the HSB has been placed, check to make sure it is level. If it isn't, make adjustments prior to installation procedures start.

Installation Preparation

⚠ WARNING

Improper installation can result in personal injury and damage to the generator. It may also result in the warranty being suspended or voided. All the instructions must be followed including location clearances and pipe size.

Once Site Selection, Preparation and Placement has been completed, you can proceed to Installation Preparation. Without these in place you may encounter problems moving forward.

There are a number of key items that MUST be addressed prior to the physical installation of the HSB. The installation of the HSB must comply strictly with all applicable codes, standards and regulations (NFPA 37, NFPA 54, NFPA 58, and NFPA 70).

Check and confirm that the flex Controller™ is in the "OFF" position. It is recommended to pull the control module fuse located on the front panel and turn the circuit breaker to the OFF position.

Champion HSB units have been run and tested at the factory prior to being shipped. They do not require any type of break-in period.

⚠ CAUTION

Check oil level, add oil if required. Add oil to full capacity as stated in the specification section before starting the HSB.

Never operate the HSB with the engine oil level below the “ADD” mark on the dipstick, doing so could damage the engine. Check the oil level and add the appropriate viscosity and amount indicated on the oil dipstick full line. The recommended oil type for typical use is 0W-40 full synthetic oil.

The following will be covered;

1. Fuel Requirements and Recommendations
2. Fuel Consumption
3. NG Pipe Sizing, flexible fuel line
4. LPG Vapor Pipe Sizing, flexible fuel line
5. Converting to LPG
6. Full Flow Shut Off Valve
7. Sediment Trap
8. Checking Pressure with a Manometer
9. Battery Requirements, Installation & Service
10. Wiring of the HSB

1. FUEL REQUIREMENTS AND RECOMMENDATIONS

The following NG and LPG fuel information is provided to assist the fuel installer. This information should not be deemed to be all inclusive or to conflict with local dry fuel codes. Consult your local fuel supplier or Fire Marshall for guidance on proper local codes and installations. Local codes will mandate correct routing of gaseous fuel line piping around gardens, shrubs and other landscaping to prevent any damage.

Special considerations should be given when installing the HSB where local conditions include might flooding, tornadoes, hurricanes, earthquakes and unstable ground. These are considerations for the flexibility and strength of piping and their connections.

NG is lighter than air and will collect in high areas. LPG is heavier than air and will settle in low areas.

⚠ DANGER

Gaseous fuels such as NG and LPG are highly explosive. Even the slightest spark can ignite such fuels and cause an explosion, which could cause burns, fire or explosion resulting in serious injury, property damage or even death. NO leakage is permitted.

Recommended fuels should have a BTU content of at least 1,000 BTU's per cubic foot for NG, or at least 2,500 BTU per cubic foot for LPG. Ask the fuel supplier for the BTU content of the fuel.

Before NG fuel lines plans are made, call your NG supplier, provide them information on the amount cubic feet/hour and the BTU's/hour that the HSB will use, and ask if the NG meter and primary regulator can accommodate the addition of the NG generator. NG companies have different meters for increased BTU demands. Utilize the “Fuel Consumption (BTU) Chart” contained in this manual or the Installation Manual for your specific HSB model.

Verify that the current gas meter is capable of providing enough fuel flow to include household appliances and other loads including the addition of the HSB. Check the NG primary regulator, connected at the NG meter output. The correct primary regulator is set at 5 to 7 inches water column. The existing primary regulator may be undersized once the HSB is added.

The HSB engine can run on either NG or LPG. The HSB comes equipped from the factory to run on NG. If your installation requires the engine to run on LPG, orifices in the master mixer assembly (carburetor) MUST be changed. The LPG orifices are shipped with HSB. Refer to “Converting to LPG” in this manual or the “Operator’s Manual” for your specific HSB model.

Fuel System Requirements

10 kW (Model 201391)		
Fuel System Requirements	LPG	NG
Fuel Supply Inlet	3/4 in. NPT	
Fuel Supply Pressure	10 – 12 inch-H ₂ O. (2.5 – 3.0 kPa)	5 – 7 inch-H ₂ O (1.2 – 1.7 kPa)
Maximum flow rate	7.43 l/hr @10 kW	4.05 m ³ /hr @9 kW

Nominal Fuel Rating	
LPG	2500 BTU/ft ³
NG	1000 BTU/ft ³

18 kW (Model 201249)		
Fuel System Requirements	LPG	NG
Fuel Supply Inlet	3/4 in. NPT	
Fuel Supply Pressure	10 – 12 inch-H ₂ O. (2.5 – 3.0 kPa)	5 – 7 inch-H ₂ O (1.2 – 1.7 kPa)
Maximum flow rate	12.33 l/hr @18 kW	7.63 m ³ /hr @16.2 kW

Nominal Fuel Rating	
LPG	2500 BTU/ft ³
NG	1000 BTU/ft ³

22 kW (Model 201202)		
Fuel System Requirements	LPG	NG
Fuel Supply Inlet	3/4 in. NPT	
Fuel Supply Pressure	10 – 12 inch-H ₂ O. (2.5 – 3.0 kPa)	5 – 7 inch-H ₂ O (1.2 – 1.7 kPa)
Maximum flow rate	14.23 l/hr @22 kW	8.29 m ³ /hr @19.8 kW

Nominal Fuel Rating	
LPG	2500 BTU/ft ³
NG	1000 BTU/ft ³

26 kW (Model 201244)		
Fuel System Requirements	LPG	NG
Fuel Supply Inlet	3/4 in. NPT	
Fuel Supply Pressure	10 – 12 inch-H ₂ O. (2.5 – 3.0 kPa)	5 – 7 inch-H ₂ O (1.2 – 1.7 kPa)
Maximum flow rate	14.96 l/hr @26 kW	9.09 m ³ /hr @23.4 kW

Nominal Fuel Rating	
LPG	2500 BTU/ft ³
NG	1000 BTU/ft ³

Install the fuel system in accordance with NEC and local codes. The HSB is EPA Phase 3 certified for LPG and NG fuels.

2. FUEL CONSUMPTION

Air density is less at high altitudes, resulting in less available engine power. Engine power will decrease 3.5% for each 1,000 feet (300 m) above sea level and 1% for each 10° F (5.5° C) above 77° F (25° C). Make sure these factors are considered when determining total HSB load.

The gas supply and pipe MUST be sized at 100% load BTU rating. Understand that as a specific fuel supply line pipe diameter is extended in length, its ability to carry the volume of gas diminishes in direct proportion. Improper fuel pipe sizing is the number one reason for poor operating performance (hard starting, output).

Required fuel pressure for NG is 5 – 7 inches water column. Required fuel pressure for LPG vapor is 10 – 12 inches water column. These are estimated fuel supply requirements listed.

10 kW (Model 201391)				
Fuel Type	Percent Load	Consumption		
		L/hr	gal/hr	BTU/hr
LPG	0%	2.00	0.53	48,368
	50%	4.75	1.25	114,875
	100%	7.43	1.96	179,688
		m ³ /hr	ft ³ /hr	BTU/hr
NG	0%	1.23	43.4	43,437
	50%	2.42	85.5	85,461
	100%	4.05	143.0	143,024

18 kW (Model 201249)				
Fuel Type	Percent Load	Consumption		
		L/hr	gal/hr	BTU/hr
LPG	0%	3.35	0.88	81,017
	50%	7.54	1.99	182,349
	100%	12.33	3.26	298,191
		m ³ /hr	ft ³ /hr	BTU/hr
NG	0%	2.51	88.6	88,640
	50%	4.99	176.2	176,220
	100%	7.63	269.5	269,451

22 kW (Model 201202)				
Fuel Type	Percent Load	Consumption		
		L/hr	gal/hr	BTU/hr
LPG	0%	3.87	1.02	93,472
	50%	8.86	2.34	214,151
	100%	14.23	3.76	344,020
		m ³ /hr	ft ³ /hr	BTU/hr
NG	0%	2.59	91.4	91,359
	50%	5.88	207.7	207,721
	100%	8.29	292.6	292,617

26 kW (Model 201244)				
Fuel Type	Percent Load	Consumption		
		L/hr	gal/hr	BTU/hr
LPG	0%	3.94	1.04	95,286
	50%	9.05	2.39	218,867
	100%	14.96	3.95	361,795
		m ³ /hr	ft ³ /hr	BTU/hr
NG	0%	2.70	95.3	95,350
	50%	5.60	197.8	197,762
	100%	9.09	321.1	321,081

3. NG PIPE SIZING

The HSB leaves the factory set up for NG, no changes or alteration need to be made if NG is the fuel source you are going to use. The following NG fuel information is provided to assist the fuel installer. This information should not be deemed to be all inclusive or to conflict with local dry fuel codes. Consult your local fuel supplier or Fire Marshall for guidance on proper local codes and installations. All piping must comply with NFPA 54 and related codes. Gas line connections should be made by a certified plumber familiar with local codes.

Always use AGA approved gas pipe and a quality pipe sealant or joint compound. The piping should conform to federal and local codes, rigidly mounted and protected from vibration. Piping should be black iron or steel to avoid reacting with the sulfur in the fuel.

⚠ DANGER

NG is highly explosive. Even the slightest spark can ignite and cause an explosion, which could cause burns, fire or explosion resulting in serious injury, property damage or even death. NO leakage is permitted. Safety is important.

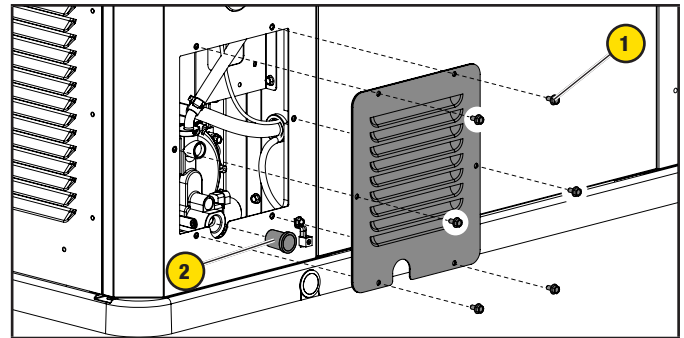
Gas pipe sizing is critical to the proper operation of the HSB. The HSB fuel inlet size has no bearing on the proper gas pipe size running to the HSB. Gas supply and pipe MUST be sized at 100% load BTU rating. Understand that as a specific fuel supply line pipe diameter is extended in length, its ability to carry the volume of gas is diminished in direct proportion.

Pipe sizes are measured by inside diameter (ID) to include any fittings, valves, elbows, tees or angles. Add 2.5 feet (.76 m) per bend, tee or angle in the pipe line to the overall distance, for each 90 degree elbow, add 8 feet (2.4 m) to the measurement. Use a pipe sealant or joint compound approved for use with LPG/NG on all threaded fittings to assure zero leakage.

A dedicated NG fuel supply line pipe and primary gas regulator is mandatory for proper operation. A minimum of one (1) approved, external manual full flow shutoff gas valve must be installed in the fuel supply line pipe leading to the HSB. This line must be easily accessible.

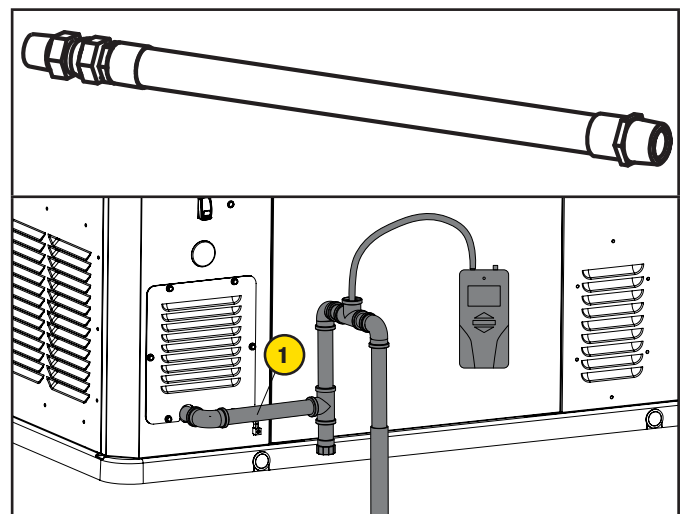
FUEL LINE

Remove access panel by removing six [6] M6 inside hex bolts (1) with 5 mm (included) or 3/16" allen wrench. Pull off or unscrew protection cap (2) from fuel line before continuing with further connections.



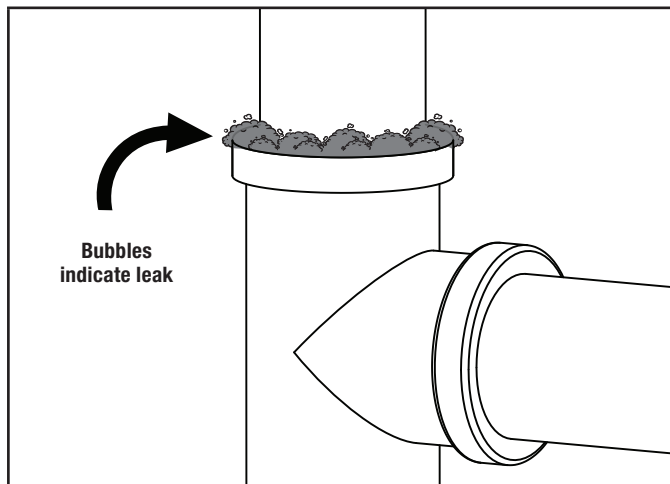
FLEXIBLE FUEL LINE

A flexible fuel line (1) is to be installed between the stationary fuel supply line pipe and the fuel inlet pipe to the HSB. This flexible fuel line is included with the HSB. The purpose of the flexible fuel line is to ensure that vibration from the HSB does not cause a gas leak at one of the connection points. The flexible fuel line is not to be installed underground, in contact with any enclosure parts or contact with the ground. The entire flexible fuel line must be visible for periodic inspection and must not be concealed within nor contact nor run through any wall, floor, partition or fence. Never bend flexible fuel line to avoid using an elbow. Bending the flexible fuel line decreases its ability to absorb vibrations and could restrict the actual fuel flow. Because a HSB engine is prone to vibration, a flexible piping connection to the gas supply is required. Connect the HSB to the gas supply piping with an approved flexible gas line according to local codes. The flexible gas line also protects against settlement between the HSB pad and the ridged gas supply piping.



⚠ CAUTION

Check for leaks by spraying all connection points with a soap solution made of dishwashing liquid and water. If you see bubbles, this indicates a leak and the connection should be corrected. Check each connection point, there should not be a visible bubbling when soap solution applied. Installed piping must be properly purged and leak tested, in accordance with applicable codes and standards. A sediment trap should be placed in the fuel supply pipe line to drain any condensation.



Refer to the “Fuel Pipe Sizing Chart” contained in this manual. Champion HSB units have been run and tested at the factory prior to shipment. They do not require any type of break-in period.

4. LPG VAPOR PIPE SIZING

The HSB leaves the factory set up for NG. If your installation requires the engine to run on LPG, simply rotate the Fuel Select Dial on top of the mixture assembly. The jet block is enclosed (shipped) with the HSB.

The following LPG information is provided to assist the fuel installer. This information should not be deemed to be all inclusive or to conflict with local dry fuel codes. Consult your local fuel supplier or Fire Marshall for final answers on proper local codes and installation. All piping must comply with NFPA 54 and related codes. Gas line connections should be made by a certified plumber familiar with local codes.

⚠ DANGER

LPG is highly explosive. Even the slightest spark can ignite and cause an explosion, which could cause burns or fire resulting in serious injury, property damage or even death. No leakage is permitted. Safety is important.

Gas pipe sizing is critical to the proper operation of the HSB. The HSB fuel inlet size has no bearing on the proper gas pipe size running to the HSB. Gas supply and pipe MUST be sized at 100% load Btu rating.

Pipe sizes are measured by inside diameter (ID) to include any fittings, valves, elbows, tees or angles. Add 2.5 ft. (.76 m) per any bend, tee or angle in the pipe to the overall distance. For each 90 degree elbow, add 8 ft. (2.4m) to the measurement. Use a pipe sealant or joint compound for use with LPG/NG on all threaded fitting to assure zero leakage.

The LPG must be a vapor withdrawal system. The HSB will not work on a liquid withdrawal system. Gas line connections should be made by a certified plumber familiar with local codes.

New LPG tanks and existing LPG tanks already located at the installation site, have a primary fuel regulator set and intended for home heating and cooking. This regulator might not be properly sized to accommodate the addition of the HSB. Contact the local LPG supplier to properly size the fuel regulator. Make sure the tank is sized large enough to provide the required Btu’s for the HSB and all connected appliances.

The LPG fuel tank must have a dedicated primary fuel regulator mounted at the tank fuel outlet point and set for 6 ounce pressure, 10 -12 inch water column. A direct, dedicated fuel line connected directly to the HSB mounted secondary regulator, also set at 6 ounce pressure, 10 -12 inch water column. When sizing the secondary regulator for LP applications be sure to note the maximum individual load capabilities. This could impact HSB starting performance if sized to small. It is not recommended to reduce the fuel supply line pipe exiting the secondary regulator unless to accommodate the flexible fuel line required to install and shipped with the unit. The may result in starting or performance issues with the HSB.

Make sure fuel supply line pipe includes an on/off external manual full flow shut off gas valve at both the LPG tank and at the point of connection to the HSB.

A sediment trap should be installed into the fuel supply pipe line to drain any condensation.

FUEL PIPE SIZING CHART

🗨 NOTICE

Reduced pipe size will affect fuel delivery and performance.

Measure the pipe length from the generator fuel inlet to the primary gas pressure regulator.

Pipe Length*	NG	LPG
25 ft (8 m)	3/4 in. NPT	3/4 in. NPT
50 ft (15 m)	1 in. NPT	3/4 in. NPT
100 ft (30 m)	1 in. NPT	1 in. NPT
150 ft (46 m)	1-1/4 in. NPT	1 in. NPT
200 ft (61 m)	1-1/4 in. NPT	1 in. NPT

*Add 2.5 ft (0.76 m) per bend, tee or angle in the pipe line to overall distance, for each 90 degree elbow, add 8 feet (2.4 m) to the overall measurement.

5. CONVERTING TO LPG

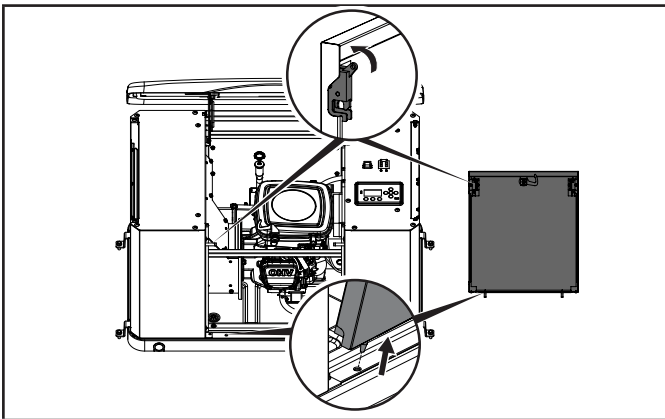
Jet Change Procedures 10 kW (Model 201391)

The engine is fitted with a dual Master Mixer Assembly (carburetor system), which allows the HSB to run on either NG or LPG. It has been configured at the factory to run on NG. If your installation requires to run on LPG, you need to exchange the Master Mixer Assembly (carburetor system). This Master Mixer Assembly is included for LPG conversion. Place a rag in the valley of the engine to prevent damaging other components from any dropped parts.

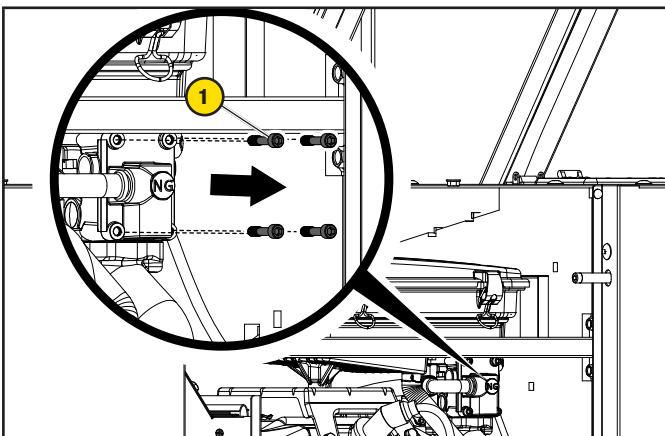
Tools Required:

- 4 mm hex bit socket or 4 mm T-Handle hex key - 4 mm allen wrench is included.
- Ratchet Wrench for bit socket
- 10mm wrench or ratchet
- Torque wrench

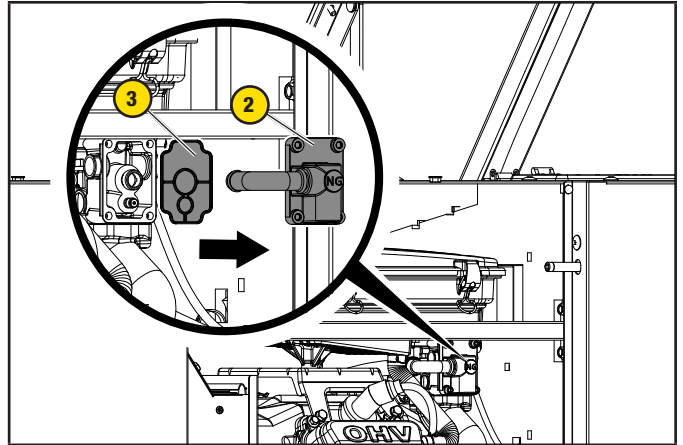
1. Press the OFF button on the flex Controller™.
2. Put the generator ON/OFF switch in the OFF position.
3. Remove the fuse from the front of the flex Controller™. This will disable automatic starting in the event of a power outage.
4. Open the top cover and remove the front panel. This front panel is held position with 2 spring loaded pins on the inside. Press inward on each side. Tilt back from the top and lift from the base.



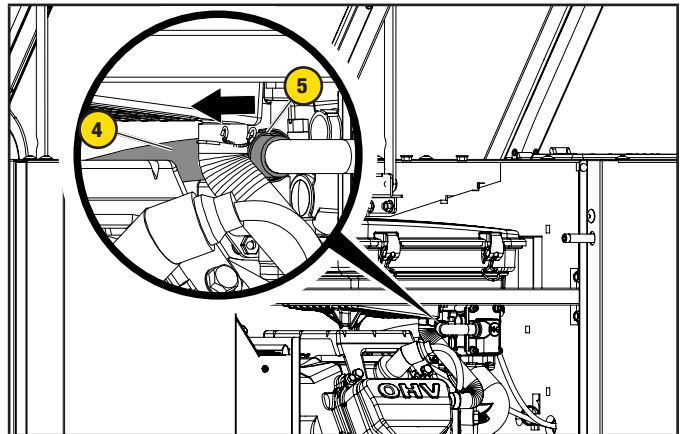
5. Remove four [4] fuel inlet chamber cap head bolts (1) with 4mm or 5/32" allen wrench.



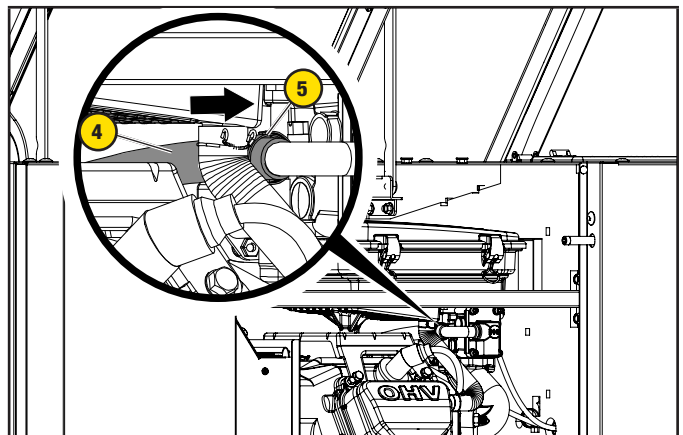
6. Remove Master Mixer Assembly (2) along with the gasket (3).



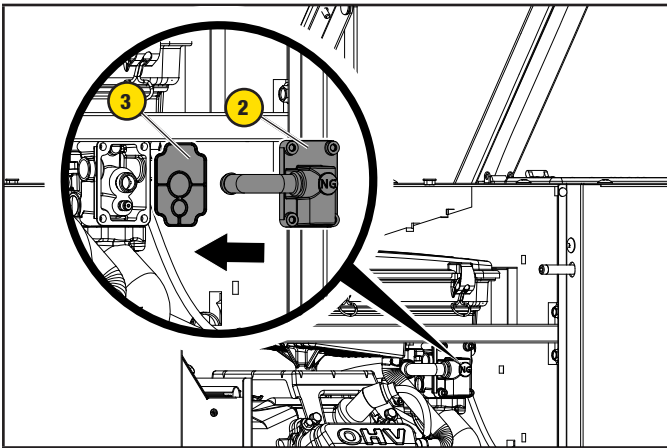
7. Remove fuel line (4) by loosening fuel line clamp (5) with 7 mm or 9/32" socket.



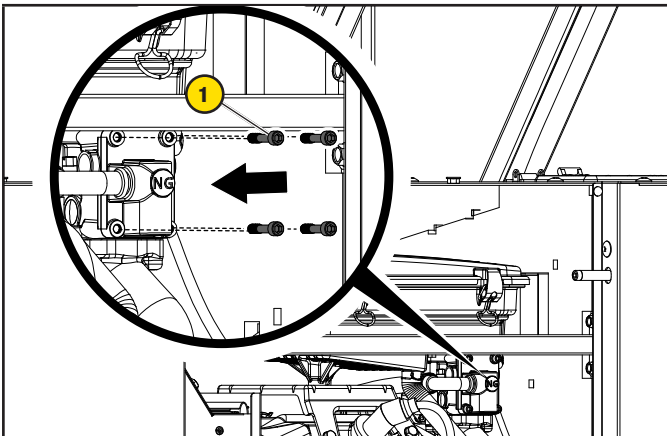
8. Connect the fuel hose (4) to master mixer assembly (LPG) and put clamp (5) on fuel hose.



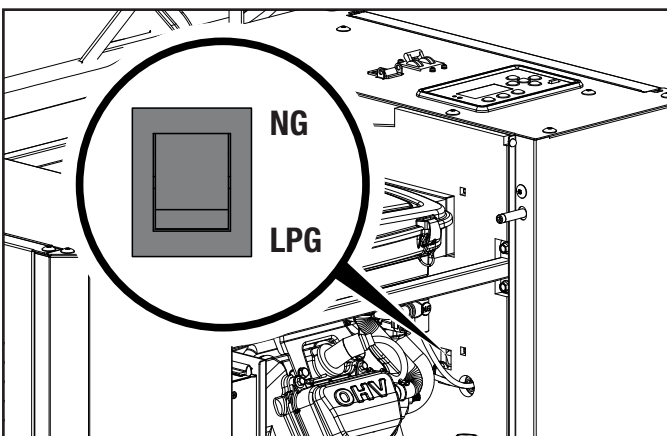
9. Install Master Mixer Assembly (2) (LPG) to mixer body. Make sure the gasket (3) is installed on the fuel inlet chamber side.



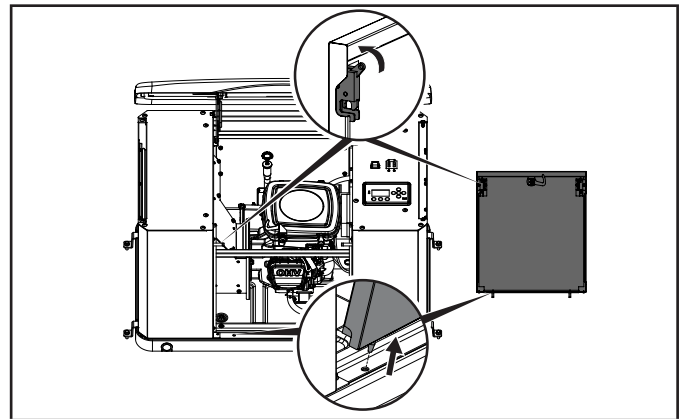
10. Tighten Master Mixer Assembly four [4] cap head bolts (1) with 4mm or 5/32" allen wrench. Torque: 26.0 lb.-in (2.94Nm).



11. Locate the LPG/NG ignition timing switch and switch to LPG.



12. Replace the front panel by locating the panel pins into the base, tilt the cover forward, then press inward on each side pin. The pins are located on the top, backside of the front panel. Lower top cover and lock.



13. Reinstall fuse removed in the earlier step back into the fleX Controller™.
14. Put the generator ON/OFF switches in the ON position.
15. Put the fleX Controller™ to the previous position (either Manual/ON, OFF or AUTO for example).

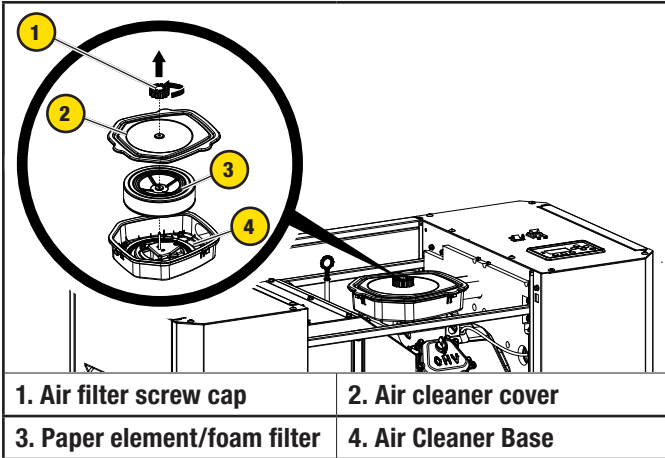
Jet Change Procedures 18-26 kW (Model 201249/201202/201244)

The engine is fitted with a dual Master Mixer Assembly (carburetor system), which allows the HSB to run on either NG or LPG. It has been configured at the factory to run on NG. If your installation requires to run on LPG, you need to exchange the Master Mixer Assembly (carburetor system). This Master Mixer Assembly is included for LPG conversion. Place a rag in the valley of the engine to prevent damaging other components from any dropped parts. After removing the air cleaner base, place a rag around the base of the mixer assembly in case an o-ring, gasket or screw drops.

Tools Required:

- 4 mm hex bit socket or 4 mm T-Handle hex key - 4 mm allen wrench is included.
 - Ratchet Wrench for bit socket
 - 10mm wrench or ratchet
 - Torque wrench
1. Press the OFF button on the fleX Controller™.
 2. Put the generator ON/OFF switch in the OFF position.
 3. Remove the fuse from the front of the fleX Controller™. This will disable automatic starting in the event of a power outage.
 4. Open the top cover to gain access to the air filter.
 5. Unscrew the air filter screw cap holding the air cleaner cover in place and remove the air cleaner cover. Check the air cleaner gasket is in good shape, if not replace the gasket.

6. Remove the air cleaner paper element and set aside.



1. Air filter screw cap	2. Air cleaner cover
3. Paper element/foam filter	4. Air Cleaner Base

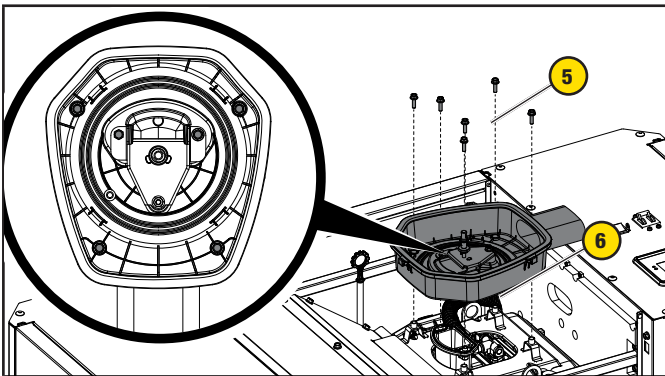
CAUTION

Before removing the air filter base, place a rag in the intake to prevent any parts from falling inside the engine.

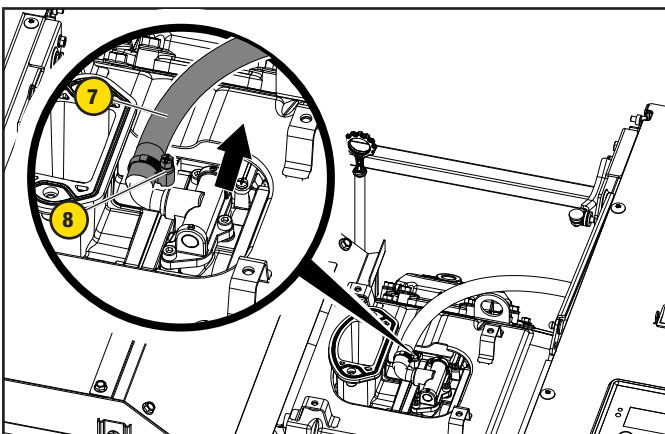
After removing the air cleaner base, place a rag around the base of the mixer assembly in case an o-ring, gasket or screw drops.

7. Remove (5) six (6) M6 bolts with 10mm socket to remove air filter base (6).

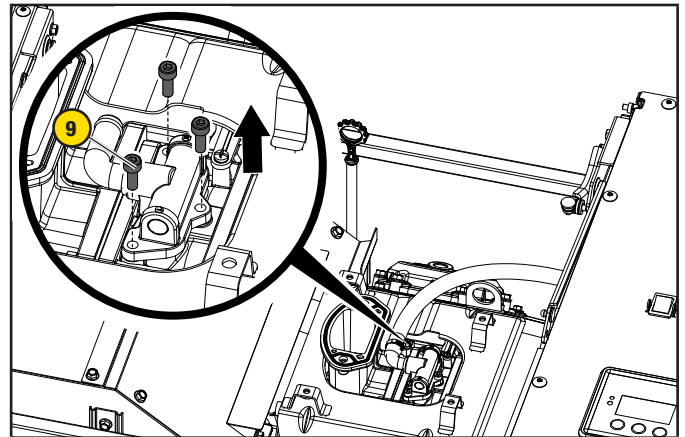
**Do not remove highlighted nut.*



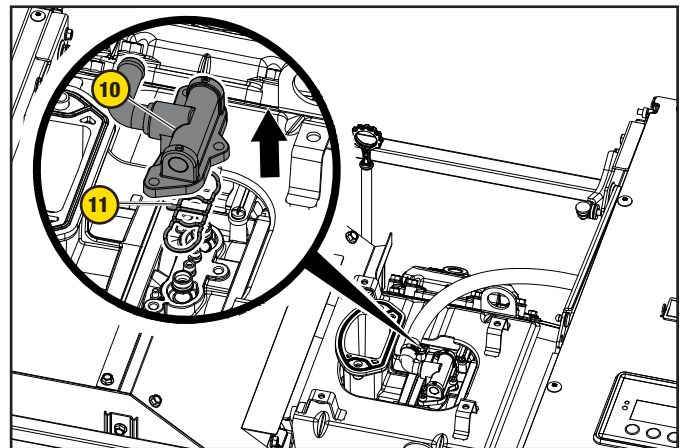
8. Remove fuel line (7) by loosening fuel line clamp (8) with 7 mm or 9/32" socket.



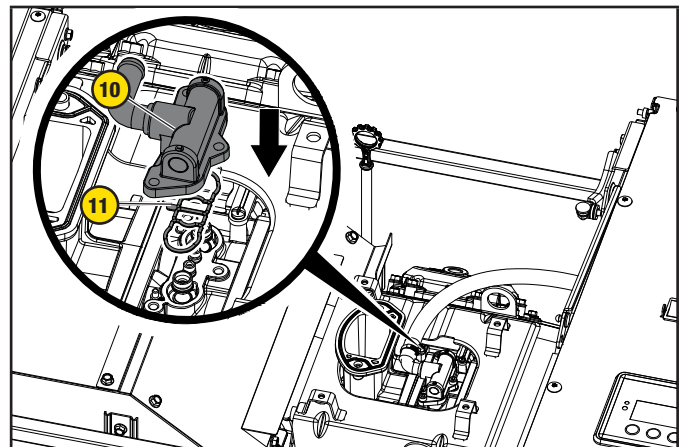
9. Remove three (3) fuel inlet chamber cap head bolts (9) with 4mm or 5/32" allen wrench.



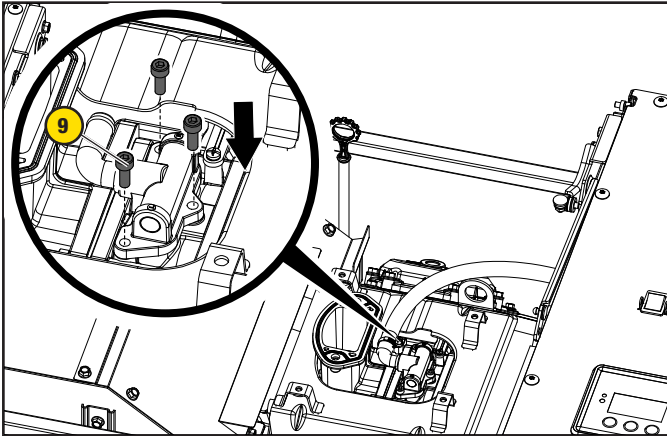
10. Remove Master Mixer Assembly (10) along with the gasket (11).



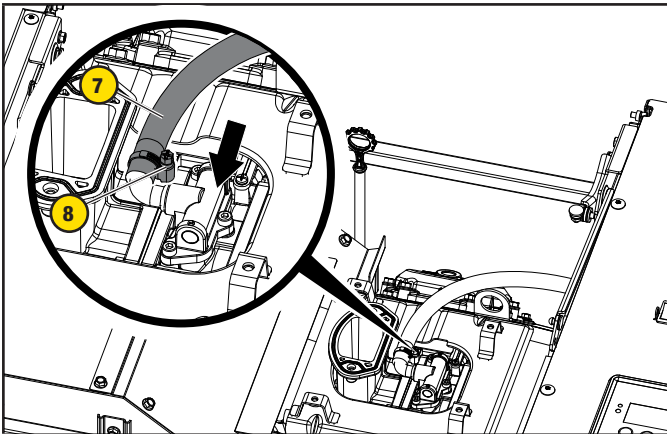
11. Install Master Mixer Assembly (10) with the green dot (this indicates LPG) to mixer body. Make sure the gasket (11) is installed on the fuel inlet chamber side.



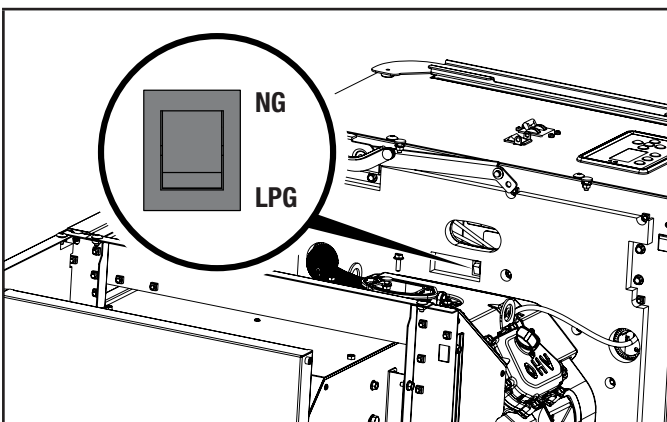
12. Tighten Master Mixer Assembly three [3] cap head bolts (9) with 4mm or 5/32" allen wrench. Torque: 26.0 lb.-in (2.94Nm)



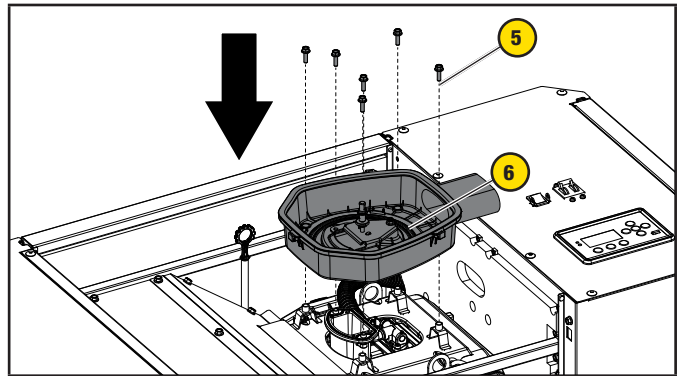
13. Connect the fuel hose (7) to master mixer assembly and put clamp (8) on fuel hose.



14. Locate the LPG/NG ignition timing switch and switch to LPG. (26 kW [Model 201244] only)

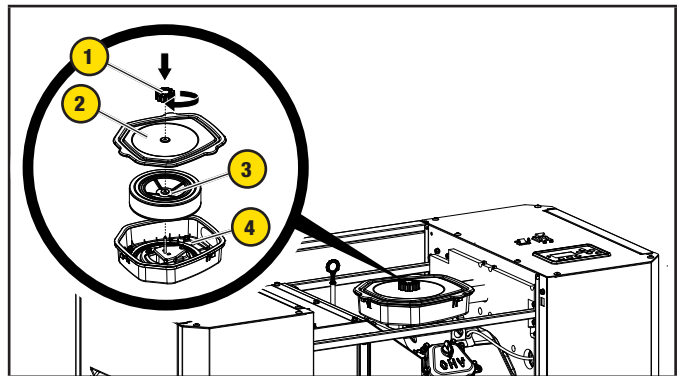


15. Reinstall (5) six [6] M6 bolts with 10mm socket to reinstall air filter base (6).



16. Install paper element plus air cleaner foam element as one piece back in the air cleaner base.

17. Replace air filter cover and screw the air filter screw cap holding the air cleaner cover on.



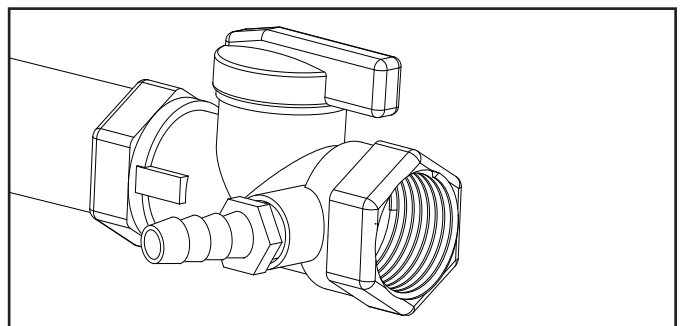
18. Reinstall fuse removed in the earlier step back into the flex Controller™.

19. Put the generator ON/OFF switches in the ON position.

20. Put the flex Controller™ to the previous position (either Manual/ON, OFF or AUTO for example).

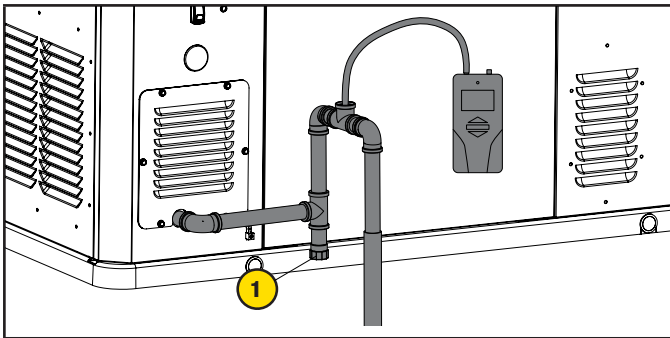
6. FULL FUEL SHUT OFF

A minimum of one accessible, approved manual full fuel shutoff valve shall be installed in the fuel supply line of the HSB. A manual full fuel shut off valve should be installed inside the building, for those locations with inside gas meters. The full flow shut off valve should be installed in accordance with all applicable codes and standards.



7. SEDIMENT TRAP

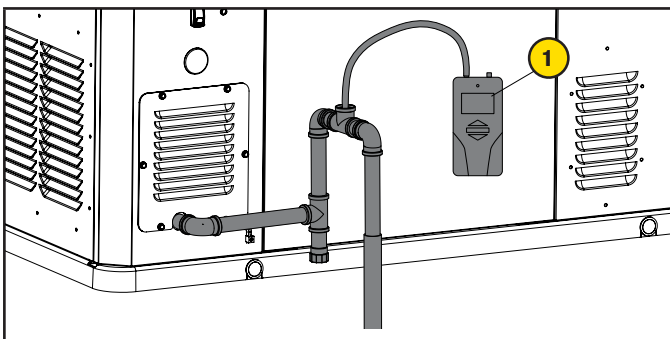
A sediment trap should be installed into the fuel supply line pipe when using either NG or LPG to drain any condensation. Always make sure the HSB is completely in the OFF position and the full flow fuel shut off valve is closed before removing the sediment trap for drainage. Use a pipe sealant or joint compound approved for use with LPG/NG on all threaded fittings to reduce the possibility of leakage. Install a sediment trap (1) downstream of the HSB shut-off valve as close to the inlet as possible in accordance with local codes.



8. CHECKING PRESSURE WITH A MANOMETER

This check should only be done when the HSB and ATS have been installed, properly inspected and ready for testing.

A Manometer is a general term for any device that measures pressure. A gas manometer (1) measures gas pressure. It's important to make sure the correct amount of fuel is being delivered to the HSB when it starts and at full load usage, the Manometer provides the ability to check the fuel pressure throughout the operation of the HSB. A Manometer port should be placed in the fuel supply pipe line.



⚠ CAUTION

Remove the plug, install the Manometer. Open the gas supply valve check to make sure the pressures are within the specified values for NG or LPG. This is always a good starting point for evaluations related to poor performance.

After all appliances have been turned on, start the HSB. If the Manometer stays within 5 -7 inches of water column for NG, 10 -12 inches of water column for LP, with full load applied to a properly running HSB, the installation is good.

If the Manometer reading falls below the listed inches of water column for either specific gas rating while the HSB engine is starting or running. It may be an indication that the gas meter or primary regulator is undersized.

If the Manometer reading stays within the specific gas rated inches water column, but the HSB engine will not start, run erratic, it may indicate insufficient fuel volume due to long fuel supply pipe line, incorrect full pipe diameter. Recheck your initial calculations to ensure where the problem might exist. Champion HSB units have been run and tested at the factory. They do not require any type of break-in period.

9. BATTERY REQUIREMENTS, INSTALLATION & SERVICE

Battery sizing is a topic that is discussed and debated for a number of reasons. The battery size, cold cranking amps (CCA), starting cycle or deep cycle are all items for consideration. The following will assist you to better understand the battery, the codes and the purpose of the battery. It is extremely important to follow all cautions and warnings per the battery manufacturer concerning installation, service, maintenance and replacement procedures.

Battery Council International (BCI) is an association of battery industry companies whose members establish policy and standards for the industry.

Battery Size is the physical dimensions of a battery. BCI assigns letters and numbers for North American battery size types.

Cold Cranking Amps (CCA) is a rating that is used to define the battery's ability to start an engine under low-temperature conditions. BCI defines it as "the number of amps a lead-acid battery at 0 degrees F can deliver for 30 seconds".

Starting (cranking) Cycle Battery is designed to deliver large bursts of power for a short time, as needed to start an engine. Starting batteries are intended to have a low depth of discharge on each use.

⚠ WARNING

The starting system is a 24-volt DC system. The two 12-volt batteries **MUST** be wired in series to achieve the correct voltage.

Damage will result if the battery connections are made in reverse, refer to owner manual or installation manual for typical installation. Dielectric grease and felt washers should be applied on battery posts to aid in prevention of corrosion. Cables supplied with the HSB.

This HSB is equipped with an automatic float type battery trickle charger powered by utility power, to maintain full battery power while in standby (non-running) mode. This trickle charger will not recharge a fully discharged or defective battery.

When doing any work on the batteries always make sure the HSB, ATS and transfer switch from utility are in the "OFF" position or sparking may occur at the battery posts as the cables are attached and cause an explosion.

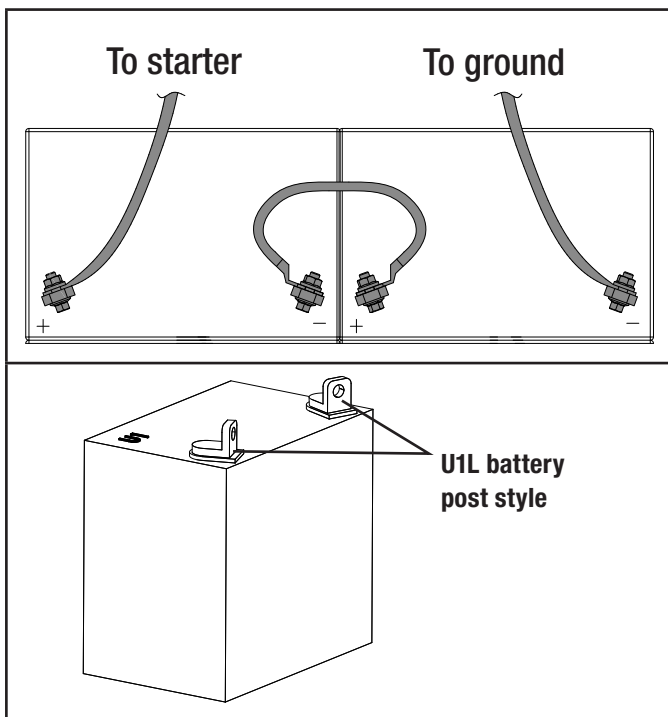
Battery Requirements 10 kW (Model 201391)

Two (2) 12 volt Group U1L batteries. Battery size: 7 3/4 L x 5 3/16 W x 7 5/16 H inches (196mm L x 131mm W x 185mm H). Purchase batteries locally.

The recommended battery type for typical use is **350 CCA**. This is based on testing in extreme cold and heat -22° F (-30° C) to 104° F (40° C). However, a 300 CCA shown in the "Recommended Battery Type" chart may be used for typical use, if in regularly warmer climates.

Recommended Battery Type					
	← 350 CCA min →				
	← 300 CCA min →				
°F	-40	-4	32	68	104+
°C	-40	-20	0	20	40+
	Ambient temperature				

Install positive cable first. Install a cable from the positive (+) terminal of one battery to the negative (-) terminal of the other battery. Always connect the positive (+) battery cable to the generator first.



⚠ CAUTION

For battery installation, maintenance, and safety requirements refer to battery manufacturer's battery installation and safety manual.

Battery Requirements 18-26 kW (Model 201249/201202/201244)

⚠ CAUTION

For battery installation, maintenance, and safety requirements refer to battery manufacturer's battery installation and safety manual.

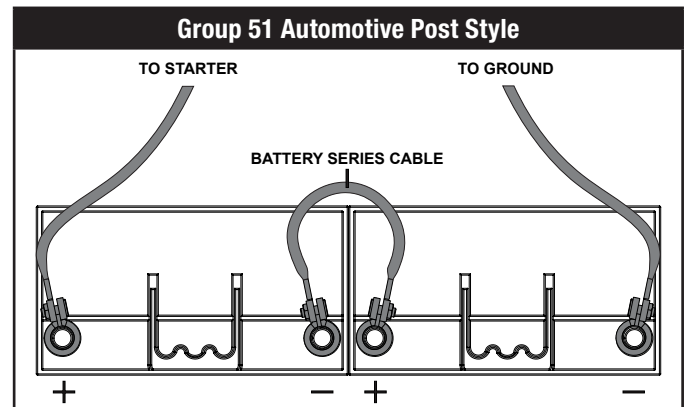
Install two (2) 12 volt Group 51 batteries with maximum overall dimension of 9 3/8 x 5 1/16 x 8 3/4 in. (238 x 129 x 223 mm) L x W x H with an Automotive (A) post or terminal configuration. Purchase batteries locally.

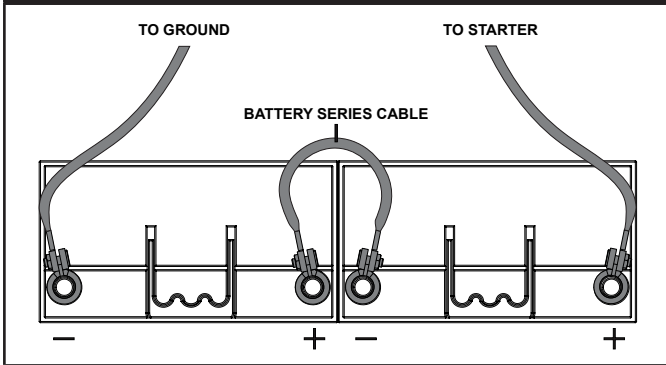
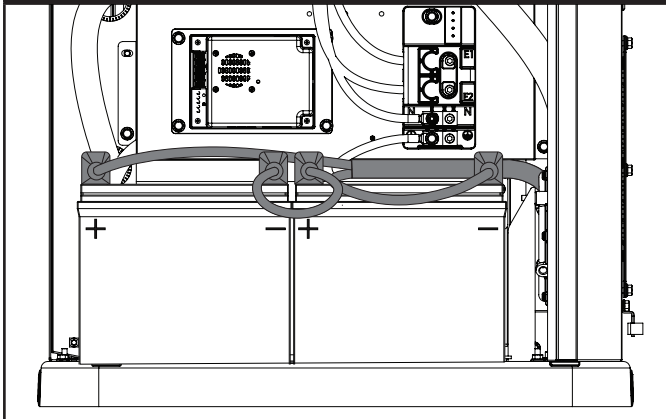
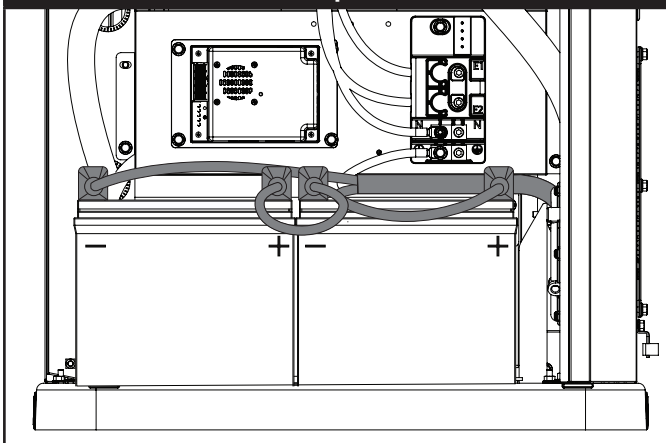
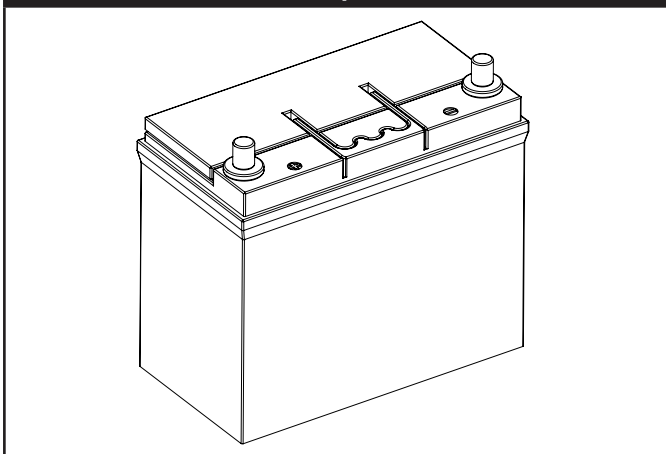
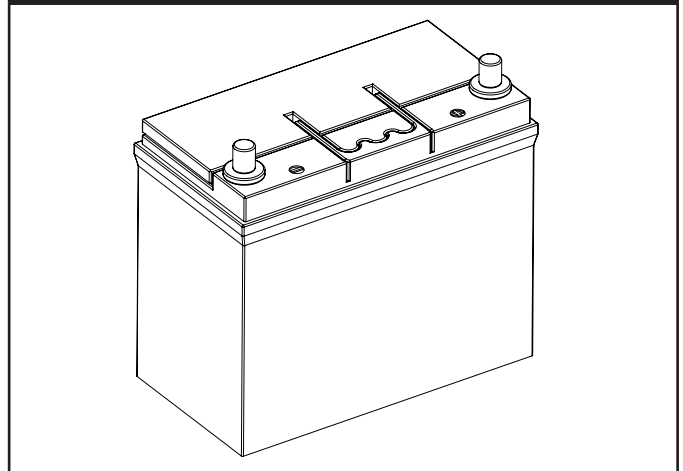
The recommended battery type for typical use is 500 CCA (Cold Cranking Amps). However, a 435 CCA battery shown in the *Recommended Battery Type* chart may be used for typical use, if in a regularly warmer climates.

Alternatively, you may also use two (2) 12 volt Group 51R, but both batteries must be 51R.

Recommended Battery Type					
	← 500 CCA min →				
	← 435 CCA min →				
°F	-40	-4	32	68	104+
°C	-40	-20	0	20	40+
	Ambient temperature				

Install positive cable first. Install a battery series cable from the positive (+) terminal of one battery to the negative (-) terminal of the other battery. Always connect the positive (+) battery cable to the generator first.



Group 51R Automotive Post Style**Group 51****Group 51R****Group 51****Group 51R****⚠ CAUTION**

A battery presents a risk of electrical shock and high short circuit current.

The following precautions are to be observed when working on batteries:

1. Remove watches, rings, or other metal objects.
2. Use tools with insulated handles.
3. Wear rubber gloves and boots.
4. Do not lay tools or metal parts on top of the battery.
5. Disconnect charging source prior to connecting or disconnecting battery terminals.
6. Determine the battery is inadvertently grounded. When inadvertently grounded, remove source of ground. Contact with any part of a grounded battery is capable of resulting in electrical shock. The risk of such a shock is reduced when such grounds are removed during installation and maintenance (applicable to a generator not having a grounded supply circuit).

⚠ WARNING

Do not dispose of battery or batteries in a fire. The battery is capable of exploding.

⚠ WARNING

Do not open or mutilate the battery or batteries. Released electrolyte has been known to be harmful to the skin and eyes and can be toxic.

Vented Batteries

The installation of the engine generator shall provide enough ventilation to ensure that all gases generated by vented batteries during charging, or caused by equipment malfunction are removed.

Battery Charger

Battery Charger 10 kW (Model 201391)

CAUTION

For battery installation, maintenance, and safety requirements refer to battery manufacturer’s battery installation and safety manual.

This automatic battery charger is an intelligent module which maintains lead acid batteries at a full charge, when the HSB has been properly installed. Continual monitoring and maintenance will promote long battery life. In accordance with the principle of high efficiency, at Full Load, >85% of efficiency is achieved. This charger is a maintenance battery charger. If the battery voltage falls below 6V, the charger will not re-charge the batteries. To properly maintain battery efficiency, you must follow the battery manufacturers; safety instructions, warnings and proper maintenance procedures.

The battery(s) might be discharged to a level that is too low to recharged with this charger (battery voltage below 6V). If this is the case, the batteries will need to be charged individually. Remove all battery cables from the batteries and follow the battery manufacturers’ instructions on properly servicing/charging the batteries.

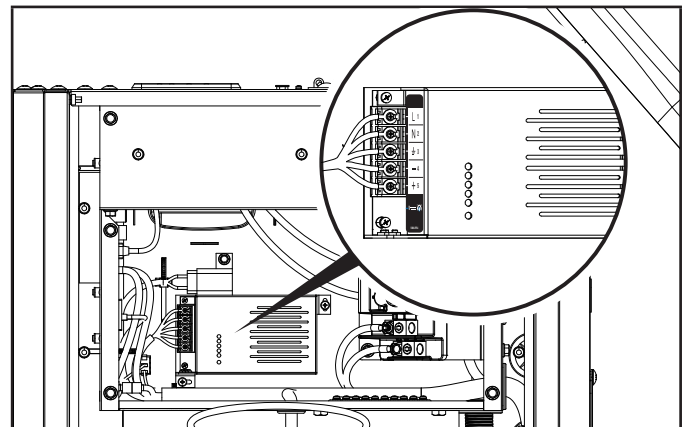
Be careful to avoid corrosion on the battery post(s). Corrosion can have the effect of creating an insulation between the post(s) and the cable(s), this will severely affect the performance of the battery.

The LEDs on the battery charger indicate whether the charger has 120VAC power, if there is a battery fault and the charger state. Battery charger rating 24 VDC 3 A.



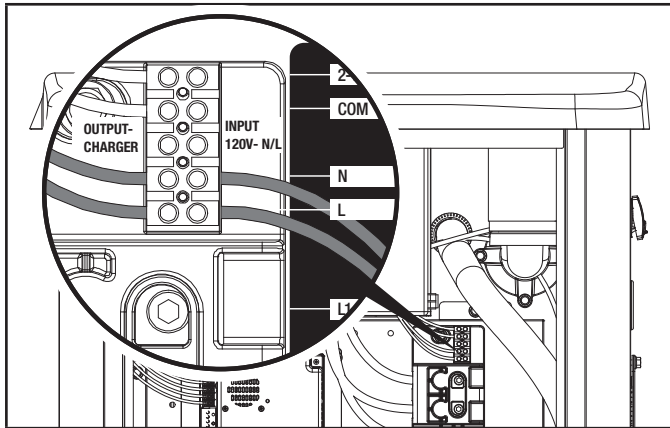
LED	SYMBOL	DESCRIPTION	
		DC Voltage Adjustment - Preset from the factory for proper DC charger output. No adjustments necessary.	
	E. O.	Enforced Output - Press to charge battery at maximum amperage for a short period.	
	Green		Power - Lit to indicate the charger is receiving 120 VAC and is ready to charge.
	Red		Fault or No Charge - Lit to indicate a battery charging problem. If this LED is lit, the LED on the flex Controller™, “LOW BATTERY” will also be lit.
	Yellow		High Charge - Lit to indicate the charger is operating above 50% capacity. Trickle charge and mid charge LED will also be lit.
	Yellow		Mid Charge - Lit to indicate the charger is near 50% capacity. Trickle charge LED will also be lit.
	Yellow		Trickle Charge - Lit to indicate the battery is receiving a trickle charge.
No Yellow		Low Trickle Charge - When no yellow LEDs are lit, the charger is in low trickle charge state.	

A 120 VAC circuit must be installed for battery charging. From ATS fuse block or distribution panel install 120V circuit to the terminal block L and N.



Wire Land Points	Function	Wire Color
Wire land #1	L	R (Red)
Wire land #2	N	W (white)
Wire land #3	Ground	G/Y (Green/Yellow)
Wire land #4	+	R (Red)
Wire land #5	-	B (black)

The terminal block is prewired by the factory to the charger L and N. A 120 VAC circuit must be installed for battery charging from the ATS or another 120VAC circuit.



Wire Land Points	Function	Wire Color
Wire land #1	L	R (Red)
Wire land #2	N	W (white)

⚠ CAUTION

The electrolyte is a diluted sulfuric acid that is harmful to the skin and eyes. It is electrically conductive and corrosive.

The following procedures are to be observed:

1. Wear full eye protection and protective clothing.
2. Where electrolyte contacts the skin, wash it immediately with water.
3. Where electrolyte contacts the eyes, flush thoroughly and immediately with water and seek medical attention, and spilled electrolyte is to be washed down with an acid neutralizing agent. A common practice is to use a solution of one pound (500 grams) bicarbonate of soda to one gallon (4 liters) of water. The bicarbonate of soda is to be added until the evidence of reaction (foaming) has ceased. The resulting liquid is to be flushed with water and the area dried.

⚠ WARNING

Lead-acid batteries present a risk of fire because they generate hydrogen gas.

The following procedures are to be followed:

1. DO NOT SMOKE when near batteries.
2. DO NOT cause flame or spark in battery area, and
3. Discharge static electricity from body before touching batteries by first touching a grounded metal surface.

Battery Charger 18-26 kW (Model 201249/201202/201244)

⚠ CAUTION

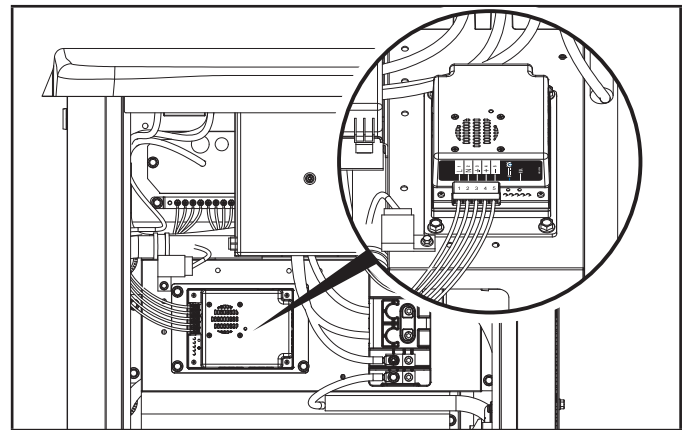
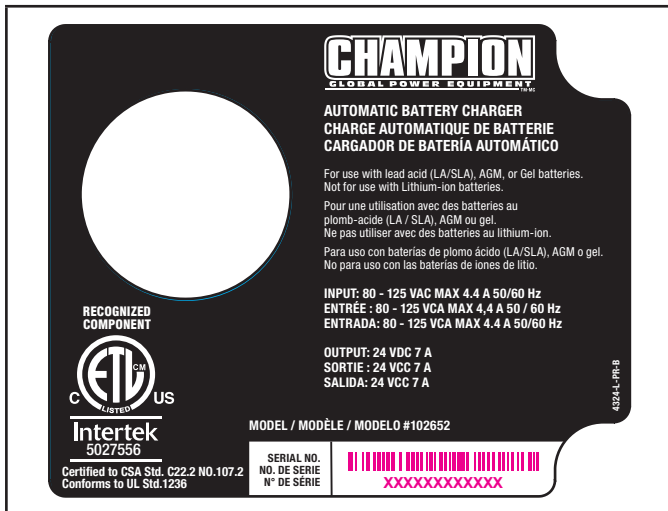
For battery installation, maintenance, and safety requirements refer to battery manufacturer's battery installation and safety manual.

This automatic battery charger is an intelligent module which maintains lead acid batteries at a full charge, when the HSB has been properly installed. Continual monitoring and maintenance will promote long battery life. In accordance with the principle of high efficiency, at Full Load, >85% of efficiency is achieved. This charger is a maintenance battery charger. If the battery voltage falls below 6V, the charger will not re-charge the batteries. To properly maintain battery efficiency, you must follow the battery manufacturers' safety instructions, warnings and proper maintenance procedures.

The battery(s) might be discharged to a level that is too low to be recharged with this charger (battery voltage below 6V). If this is the case, the batteries will need to be charged individually. Remove all battery cables from the batteries and follow the battery manufacturers' instructions on properly servicing/charging the batteries.

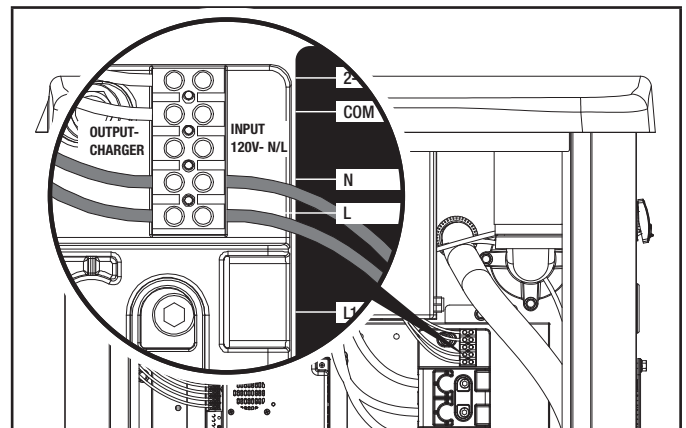
Be careful to avoid corrosion on the battery post(s). Corrosion can have the effect of creating an insulation between the post(s) and the cable(s), this will severely affect the performance of the battery.

The LEDs on the battery charger indicate whether the charger has 120VAC power, if there is a battery fault and the charger state. Battery charger rating 24 VDC 7 A.



Wire Land Points	Function	Wire Color
Wire land #1	L	R (Red)
Wire land #2	N	W (white)
Wire land #3	Ground	G/Y (Green/Yellow)
Wire land #4	+	R (Red)
Wire land #5	-	B (black)

The terminal block is prewired by the factory to the charger L and N. A 120 VAC circuit must be installed for battery charging from the ATS or another 120VAC circuit.



Wire Land Points	Function	Wire Color
Wire land #1	L	R (Red)
Wire land #2	N	W (white)

CAUTION

The electrolyte is a diluted sulfuric acid that is harmful to the skin and eyes. It is electrically conductive and corrosive.

LED	SYMBOL	DESCRIPTION
		DC Voltage Adjustment - Preset from the factory for proper DC charger output. No adjustments necessary.
	E. O.	Enforced Output - Press to charge battery at maximum amperage for a short period.
Green		Power - Lit to indicate the charger is receiving 120 VAC and is ready to charge.
Red		Fault or No Charge - Lit to indicate a battery charging problem. If this LED is lit, the LED on the flex Controller™, "LOW BATTERY" will also be lit.
Yellow		High Charge - Lit to indicate the charger is operating above 50% capacity. Trickle charge and mid charge LED will also be lit.
Yellow		Mid Charge - Lit to indicate the charger is near 50% capacity. Trickle charge LED will also be lit.
Yellow		Trickle Charge - Lit to indicate the battery is receiving a trickle charge.
No Yellow		Low Trickle Charge - When no yellow LEDs are lit, the charger is in low trickle charge state.

A 120 VAC circuit must be installed for battery charging. From ATS fuse block or distribution panel install 120V circuit to the terminal block L and N.

⚠ CAUTION

The following procedures are to be observed:

1. Wear full eye protection and protective clothing.
2. Where electrolyte contacts the skin, wash it immediately with water.
3. Where electrolyte contacts the eyes, flush thoroughly and immediately with water and seek medical attention, and spilled electrolyte is to be washed down with an acid neutralizing agent. A common practice is to use a solution of one pound (500 grams) bicarbonate of soda to one gallon (4 liters) of water. The bicarbonate of soda is to be added until the evidence of reaction (foaming) has ceased. The resulting liquid is to be flushed with water and the area dried.

⚠ WARNING

Lead-acid batteries present a risk of fire because they generate hydrogen gas.

The following procedures are to be followed:

1. DO NOT SMOKE when near batteries.
2. DO NOT cause flame or spark in battery area, and
3. Discharge static electricity from body before touching batteries by first touching a grounded metal surface.

10. WIRING OF THE HSB**Wire Sizing****⚠ CAUTION**

Use a torque wrench to tighten conductors, being sure not to overtighten, or damage to the switch base could occur. If not tightened properly, a loose connection would result, causing excess heat which could damage the switch base.

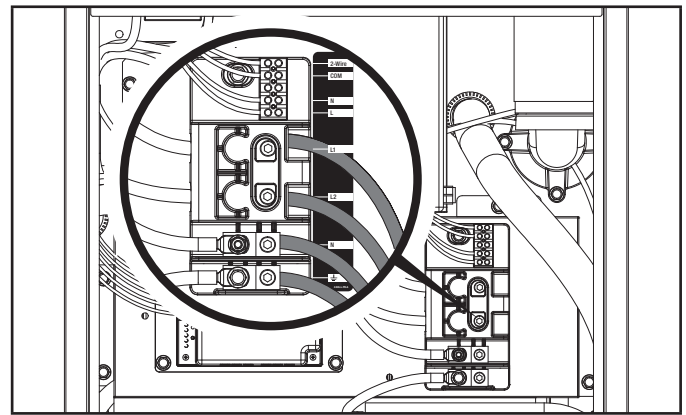
All installations must comply with National, State and Local codes. It is the responsibility of the installer to perform an installation that will pass the final electrical inspection. Conductor wire sizes must be adequate to handle the maximum current to which they will be subjected. The installation must comply fully with all applicable codes, standards, and regulations.

All power cables must enter the enclosure through the knockouts provided. If not using knockouts, conduit entry into the enclosure must be at or below knockouts to maintain the Type 3R rating. NEMA 3R enclosures are rated and tested for outside installation, they are waterproof enclosures and only come with knockouts on the bottom side of the enclosure. If a NEMA 3R enclosure is used for an inside installation, a greenlee type punch will be required to make a knockout(s) on the side or top of the enclosure.

Conduits should be arranged to provide separation between the Utility Source and HSB Source supply conduits inside the enclosure. Conductor wires must be properly supported, of approved insulated qualities, protected by approved conduit and of the correct wire gauge size in accordance with all applicable codes.

Final inspection may require the installation of an emergency shut down switch, installed and located where Home Standby Generator Engine (prime mover) can be shut down instantly.

Verify that the (4) pre-installed 14-2 conductor lugs are free of corrosion and are fully fastened and spaced properly. Make sure conductor wires are labeled and/or marked accordingly.

**Utility Circuit and Generator Power Connections**

Conductor sizes must be adequate to handle the maximum current to which they will be subjected to, based on the 75 degrees C column of tables, charts, etc. used to size conductors. The installation must comply fully with all applicable codes standards and regulations.

Surge protection**⚠ CAUTION**

Voltage fluctuation may impair the proper functioning of sensitive electronic equipment.

Electronic devices, including computers and many programmable appliances use components that are designed to operate within a narrow voltage range and may be affected by momentary voltage fluctuations. While there is no way to prevent voltage fluctuations, you can take steps to protect sensitive electronic equipment.

Install UL1449, CSA-listed, plug-in surge suppressors on the outlets feeding your sensitive equipment. Surge suppressors come in single or multi-outlet styles. They're designed to protect against virtually all short-duration voltage fluctuations.

AVR / ASR = Automatic Voltage Regulator / Speed Regulator (2 in 1)

AVR is a voltage regulator, which can automatically keep the voltage within the specified range required by electrical equipment powered by HSB. AVR uses solid-state semiconductor devices to smooth the change of current; AVR monitors the output voltage and controls the input voltage of the generator exciter. By increasing or decreasing the generator control voltage, the output voltage of the generator increases or decreases accordingly. AVR will calculate how much voltage needs to be sent to the exciter for countless times every second, to stabilize the output voltage at a predetermined set point; AVR has the functions of off-line protection, excitation short-circuit protection and overvoltage flameout protection.

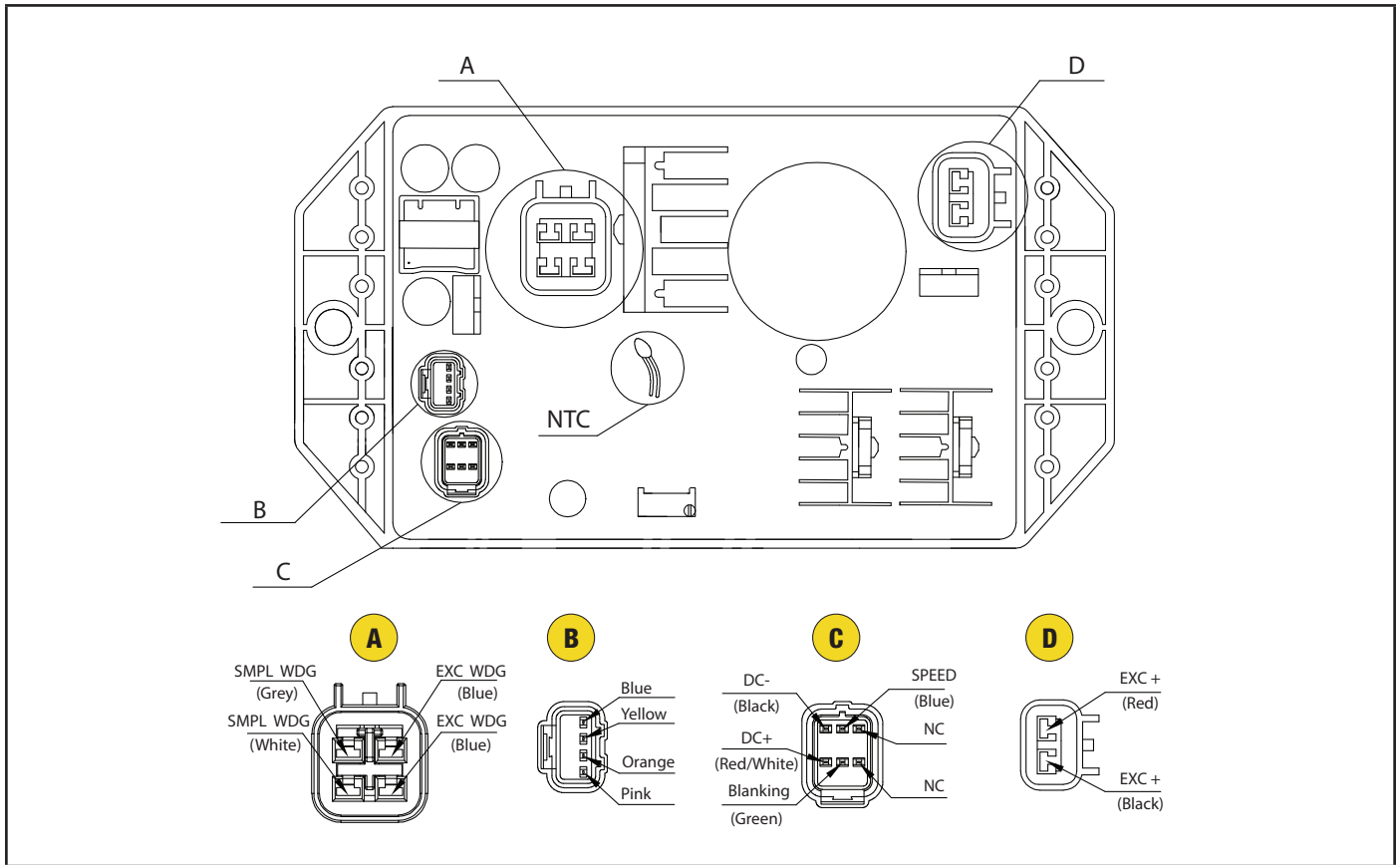
ASR is an electronic governor or speed regulator, which automatically maintains the engine speed within a predetermined range. ASR uses NTC for temperature monitoring to solve the control problem that it is not easy to start because of low ambient temperature. ASR is to monitor and control the engine speed, and there are two startup modes, namely, idle mode and normal startup mode. ASR has four functions, namely, idle function in idle mode, cold start function in normal start mode, normal temperature start function, and overspeed flameout protection function. Idle function: when idle mode is selected, control the engine to run at 40Hz (2400 RPM); Cold start function: when the temperature is detected to be lower than -18°C, it will automatically enter this mode. After entering this mode, the engine will run at the frequency of 40Hz for 60 seconds, then at the frequency of 50Hz for 20 seconds, and finally enter the rated operating frequency of 60Hz; Normal temperature starting function: when the temperature is detected to be greater than -18°C, it will automatically enter this mode, and after entering this mode, it will control the engine to directly enter the rated operating frequency of 60Hz; Overspeed flameout function: when the engine overspeed is monitored, the engine is controlled to flameout; After the overspeed protection frequency is greater than or equal to 72Hz and lasts for 2 seconds, control the engine to turn off.

The AVR/ASR 2-in-1 control module has a total of 4 connections:

- A. **Sampling and excitation winding** - 4 wires - 4 pins - top left. The two wires on the left side of the connector are gray (top) and white (bottom), which are connected to the sampling winding on the stator. The two wires (top and bottom) on the right side of the connector are blue, and they are connected to the excitation winding on the stator.
- B. **Stepper motor** - 4 wires - 4 pins - middle left. The four wires from top to bottom of the connector are blue, yellow, orange, and pink, which are directly connected to the stepping motor on the carburetor, and the throttle opening is controlled by the stepping motor.
- C. **Multiple power supplies and signal controls** - 4 wires - 6 pins - bottom left. The two wires on the left side of the connector are black (top) connected to the negative pole of 24V power supply and red (bottom) connected to the AVR power supply control port of HSB controller; Two wires in the middle of the connector are blue (top) connected to the trigger pole of the ignition coil and green (bottom) connected to the flameout control port of the ignition coil; The two wires on the right side of the connector are gray (top) idle signal control (standby) and empty.
- D. **Current transformer** - 3 wires - 3 pins. The three wires of the connector are red (left), empty (middle) and black (right). They are directly connected to the current transformer, and the voltage curve under load is adjusted through the current transformer.

CONTROLS AND FEATURES

AVR/ASR - Automatic Voltage Regulator / Electric Speed Regulator (2 in 1)

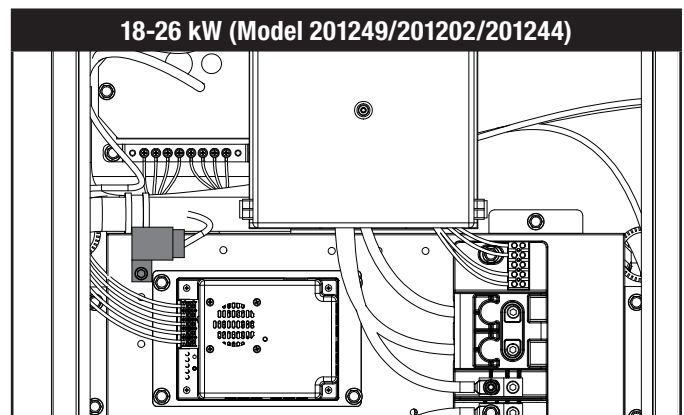
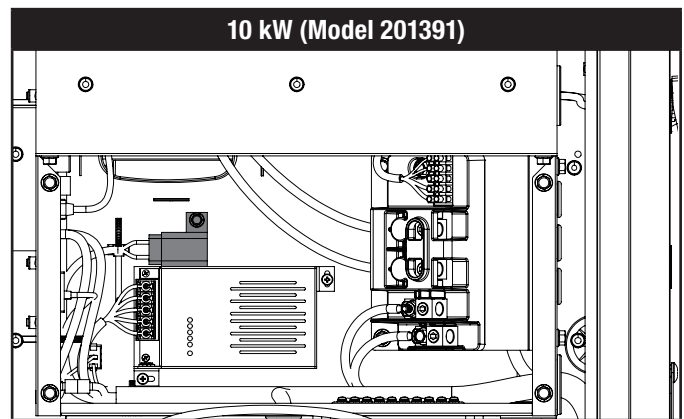


- A. Sampling and excitation winding
- B. Stepper motor
- C. Multiple power supplies and signal controls
- D. Brush and excitation

ATS Transfer Fuse

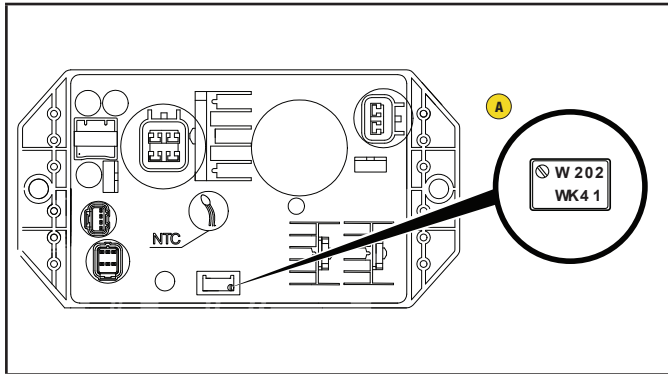
The system is protected by a automotive style fuse. This fuse, which can be blue-green or yellow, comes into play when the Automatic Transfer Switch (ATS) transfers between utility and generator or vice versa. Conveniently located just above the battery charger, it's easy to access by removing the fuse cover. In case of a fuse failure, replace the fuse with one of identical amperage and type.

Model	Rating	Color
201391	20A	Yellow
201249/201202/201244	35A	Blue-Green



Potentiometer

There is one potentiometer - voltage regulator.



- A. **Voltage regulator** - adjust the voltage to the rated voltage (240V, which can also be adjusted according to the actual situation of customers), and the voltage jump value is $\leq \pm 1V$.

NOTICE

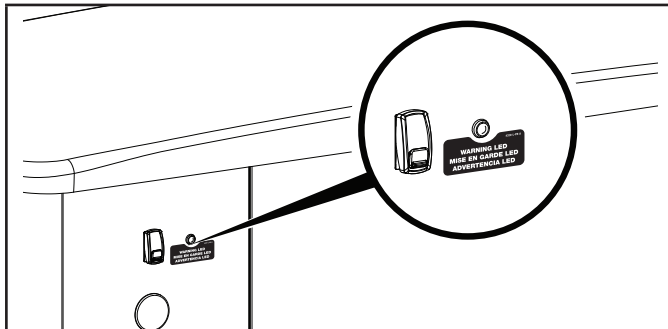
The voltage regulator potentiometer is set at the factory.

Exterior Warning LED

The exterior of the generator enclosure includes a Warning LED that illuminates RED when a fault has occurred.

The Warning LED provides a visual indicator to homeowners and service technicians that a fault has occurred, and service is needed.

The warning LED is located on the back-exterior of the HSB.



Generator ON/OFF Switch

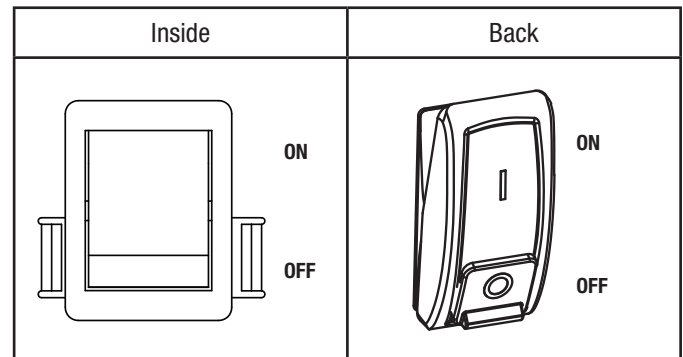
NOTICE

When maintenance or service work is performed on the generator or the home's electrical system, to prevent accidental startup pull out the fuse from the flex Controller™ panel and disconnect the batteries.

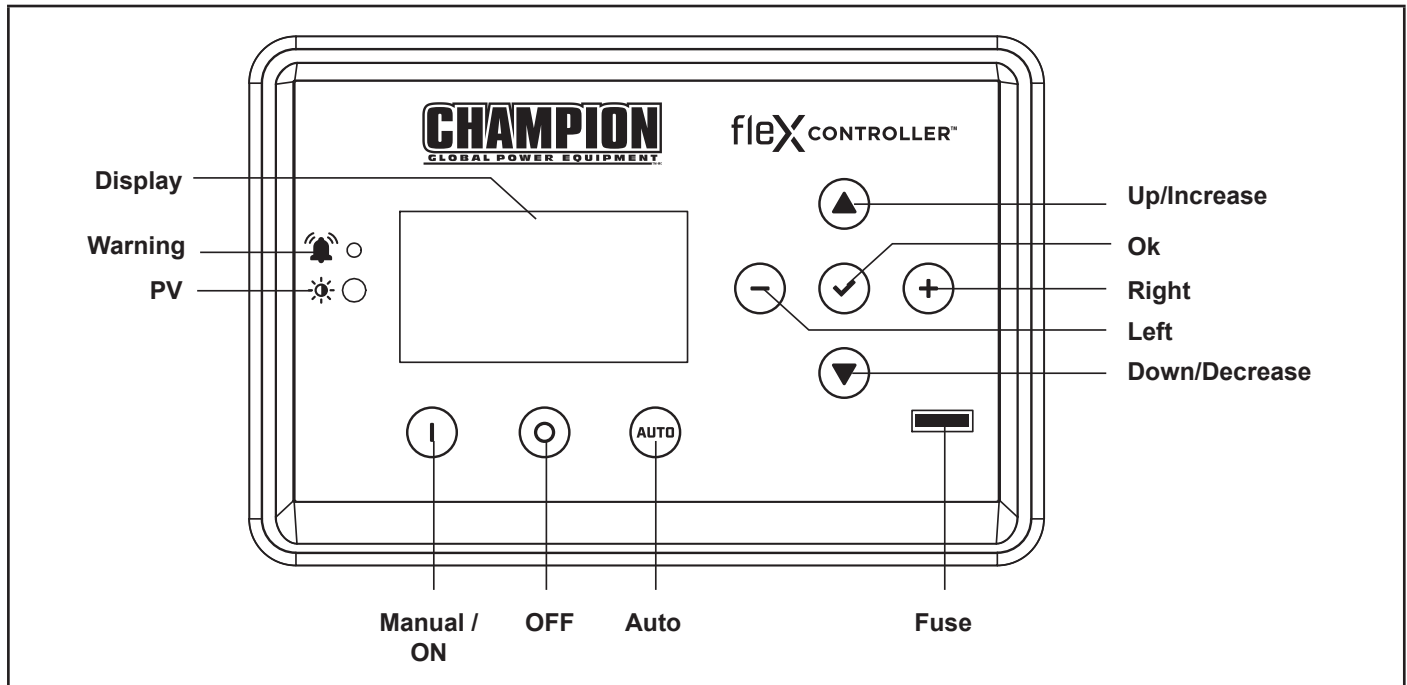
This generator has ON/OFF switches that when turned off, will shut down the HSB (if running) and deactivate the flex Controller™ preventing future starts. These switches should be used in instances where the HSB needs to stay off regardless of utility power presence. When either switch is in the OFF position, the HSB will not exercise or start for any reason.

When both of the switches are in the ON position, the flex Controller™ will be energized and the HSB will be controlled by the programming of the flex Controller™. Both switches need to be in the ON position in order for the HSB to operate in AUTO mode.

NOTE: Both switches need to be in the ON position to place the flex Controller™ in the AUTO mode and in order to exercise the HSB.



fleX Controller™



The fleX Controller™ provides real time monitoring, protection, information on the status and settings of the HSB.

Description	
Display	Shows settings and status of the HSB.
Warning	In all cases when the icon is RED, this is an indicator that the HSB has registered a fault and must be corrected. Only the “LOW BATTERY” and “MAINTENANCE” icons will not latch out or shut down the HSB. ALL other RED icon faults will latch out, shut down, disable starting and light the RED icon on the fleX Controller™ and the exterior warning LED on the backside of the HSB.
PV	Photovoltaic (PV) sensor that detects environment light level and adjusts the screen brightness automatically.
Manual/ON	Press to start the HSB in Manual mode. Allows verification that the HSB power delivery circuit is functional. The engine will start in manual mode. Safety procedures should be followed.
OFF	Press to stop the HSB in Manual or Auto mode. Closes and shuts down the engine signals. It prevents the automatic operation of the generator. OFF is required when all maintenance or service is being performed on or around the unit.
Auto	Press to put the HSB in Auto mode. When in Auto, this allows automatic delivery of power from the HSB when there is a utility power outage. With the controller in the Auto and the HSB not running (standby mode), this indicates the household is using utility power. Auto position is the standby ready position. The fleX Controller™ must be in the Auto mode in order to exercise.
Up/Increase	Moves up in the lists of the various settings or increases variables.
Down/Decrease	Moves down in the lists of the various settings or decreases variables.
Right	Moves right in the lists of the various settings.
Left	Moves left in the lists of the various settings.
Ok	Confirms programming the fleX Controller™. Press and hold to enter settings pages.
Fuse	Protects the fleX Controller™ and allow direct removal to keep the controller from engaging. Remove the fuse while all maintenance or service is being performed on or around the unit.

STATE

STATE variables in flex Controller™. These are view-only, monitor variables.

Highlighted variables show up after the ATS is connected and powered.

TOP MENU	DESCRIPTION	ON SCREEN
STATE	BATTERY VOLTAGE	BATTERY VOLTS
	CURRENT EVENT RUN TIME	EVENT TIME
	GENERATOR TOTAL HOURS	TOTAL RUN TIME
	VERSION	VERSION
	SERIAL NUMBER	S/N
	SYSTEM OUTPUT L1 AMPS	AMPERAGE L1
	SYSTEM OUTPUT L2 AMPS	AMPERAGE L2
	PHASE VOLTAGE (UTILITY, L1-N)	UTILITY L1-N
	PHASE VOLTAGE (UTILITY, L2-N)	UTILITY L2-N
	LINE VOLTAGE (UTILITY, L1-L2)	UTILITY L1-L2
	UTILITY FREQUENCY	UTILITY Hz
	PHASE VOLTAGE (GEN, L1-N)	GENERATOR L1-N
	PHASE VOLTAGE (GEN, L2-N)	GENERATOR L2-N
	LINE VOLTAGE (GEN, L1-L2)	GENERATOR L1-L2
	GENERATOR FREQUENCY	GENERATOR Hz
	LOAD VOLTAGE (LOAD, L1-N)	LOAD L1-N
	LOAD VOLTAGE (LOAD, L2-N)	LOAD L2-N
	LOAD VOLTAGE (LOAD, L1-L2)	LOAD L1-L2
	LOAD POWER (LOAD, L1-N)	LOAD Power L1-N
	LOAD POWER (LOAD, L2-N)	LOAD Power L2-N
	LOAD POWER (LOAD, L1-L2)	LOAD Power L1L2
	LOAD1 POWER	LOAD1 Power
	LOAD2 POWER	LOAD2 Power
	LOAD3 POWER	LOAD3 Power
	LOAD4 POWER	LOAD4 Power
	AC1 POWER	AC1 Power
AC2 POWER	AC2 Power	

User Settings

USER variables in fleX Controller™.

Highlighted variables show up after the ATS is connected and powered. See Programming fleX Controller™ for more information on initial setup. Abbreviations may not match exact as shown on screen for units of measure. Follow the setting defaults for guidance.

For example, 60 seconds, would be shown as 60 sec. or 60s.


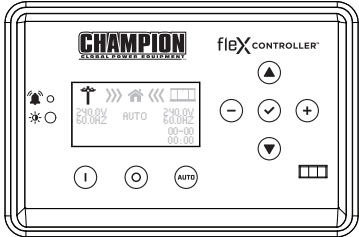
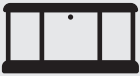
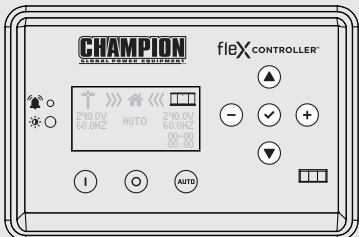

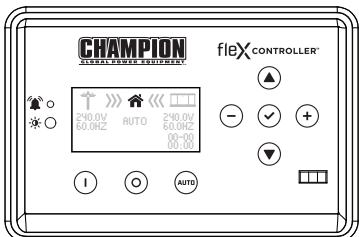
TOP MENU	DESCRIPTION	ON SCREEN	DEFAULT
USER SETTINGS	HOURS UNTIL MAINTENANCE IS REQUIRED	NEXT SERVICE	100.0h
	RESET SERVICE	RESET SERVICE	OFF
	ENGINE START DELAY AFTER UTILITY LOSS	BROWNOUT DELAY	30s
	ENGINE COOLING TIME	ENG COOL TIME	60s
	LANGUAGE	LANGUAGE	english
	SCREEN SLEEP TIME	SLEEP DELAY	600s
	SCREEN BRIGHTNESS	BRIGHTNESS	100%
	PLC COMMUNICATION ON/OFF	PLC COMM	ON
	BOND MODE	BOND MODE	OFF
	OVER THE AIR	OTA	
	SYSTEM TIME (year)	SYS year	2023
	SYSTEM TIME (month)	SYS month	12
	SYSTEM TIME (day)	SYS date	31
	SYSTEM TIME (hour)	SYS hour	0
	SYSTEM TIME (minute)	SYS minutes	0
	SYSTEM TIME (second)	SYS second	0
	SYSTEM TIME (week)	SYS week	6
	DAYLIGHT SAVINGS TIME	DST	OFF
	EXERCISE FREQUENCY	EXERCISE FREQ	None
	EXERCISE DAY OF WEEK	EXERCISE DAY	1
EXERCISE START (hour)	EXER START H	0	
EXERCISE START (minute)	EXER START M	0	
EXERCISE RUN TIME	EXERCISE TIME	15min	

TOP MENU	DESCRIPTION	ON SCREEN	DEFAULT
ATS PARAM	ATS WAITING TIME (UTILITY TO GENERATOR TO GENERATOR)	ATS SWITCH T UG	10s
	ATS WAITING TIME (GENERATOR TO UTILITY)	ATS SWITCH T GU	10s
	UTILITY OVER VOLTAGE	UTIL OVER VOLT	258V
	UTILITY UNDER VOLTAGE	UTIL UNDER VOLT	190V
	UTILITY OVER FREQUENCY TIME	UTIL OVER FREQ	66Hz
	UTILITY UNDER FREQUENCY TIME	UTIL UNDER FREQ	56Hz
	UTILITY OVER VOLTAGE TIME	UTIL OVER VOLT T	500ms
	UTILITY UNDER VOLTAGE TIME	UTIL UND VOLT T	10s
	UTILITY OVER FREQUENCY TIME	UTIL O FREQ T	1s
	UTILITY UNDER FREQUENCY TIME	UTIL U FREQ T	10s
	UTILITY LINE VOLTAGE	UTIL LINE VOLT	15V
	GENERATOR OVER VOLTAGE	GEN OVER VOLT	258V
	GENERATOR UNDER VOLTAGE	GEN UND VOLT	190V
	GENERATOR OVER FREQUENCY	GEN OVER FREQ	66Hz
	GENERATOR UNDER FREQUENCY	GEN UNDER FREQ	56Hz
	GENERATOR OVER VOLTAGE TIME	GEN OVER VOLT T	500ms
	GENERATOR UNDER VOLTAGE TIME	GEN UND VOLT T	10s
	GENERATOR OVER FREQ TIME	GEN O FREQ T	1s
	GENERATOR UNDER FREQ TIME	GEN U FREQ T	10s
	GENERATOR LINE VOLTAGE	GEN LINE VOLT	15V

Status Icons


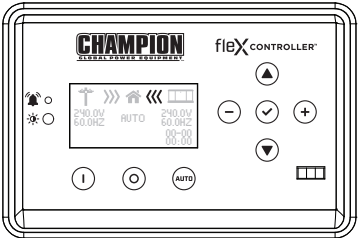

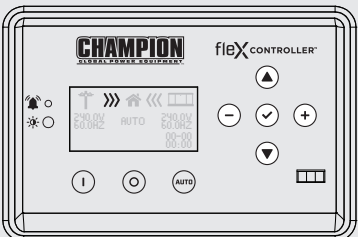
The fleX Controller™ displays status icons.

Utility, HSB, House Power

MODE	DESCRIPTION	
<p>Utility</p> 	<p>The utility pole icon indicates utility power.</p>	
<p>HSB</p> 	<p>The HSB icon indicates the generator is running.</p>	
<p>Home</p> 	<p>The home indicates your home is receiving power.</p>	


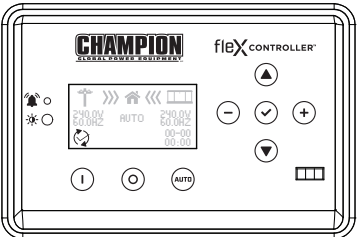
Transfer Power Direction

Show the direction of power from HSB or from utility.

MODE	DESCRIPTION	
<p>HSB Supplying Power</p> 	<p>HSB is supplying power to the home.</p> 	
<p>Utility Supplying Power</p> 	<p>Utility is supplying power to the home.</p> 	


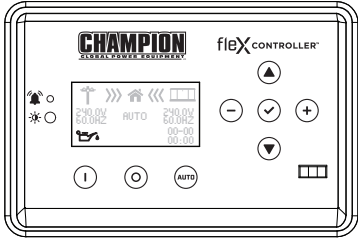

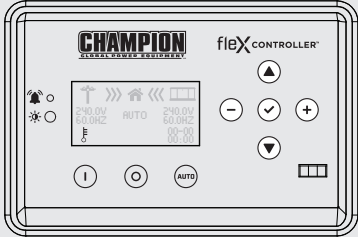
Information Icons

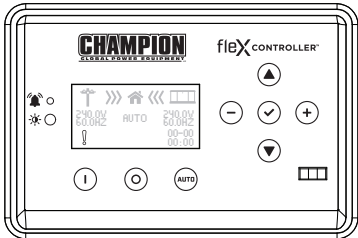
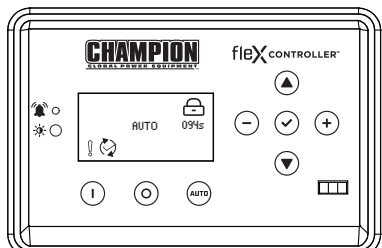

The flex Controller™ displays information icons.



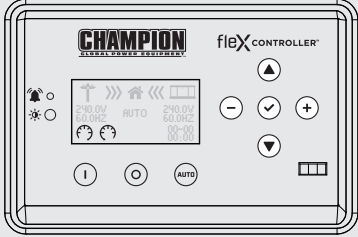

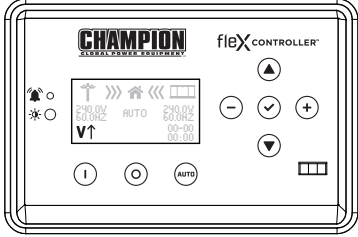

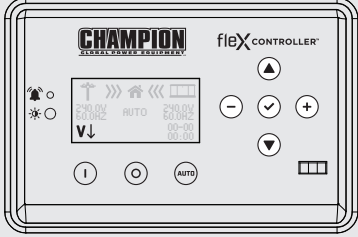
MODE	DESCRIPTION	
<p>Exercise</p> 	<p>The icon indicates when the HSB is performing the exercise period. Refer to “Setting Exercise Time” to establish the weekly exercise period. When the exercise period is complete the icon will turn off and the HSB will resume its standby monitoring. The flex Controller™ must be in the AUTO mode in order to exercise.</p> 	


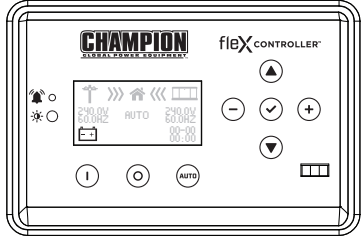

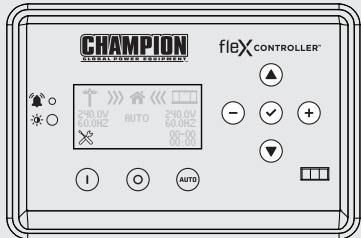
Fault Icons

The fleX Controller™ displays fault icons.

MODE	DESCRIPTION	
<p>Low Oil Pressure Shutdown</p> 	<p>The icon will be lit when the engine oil pressure drops below a safe operating level. When this fault is detected, the HSB will shut down and re-start will be disabled. The warning LED on the controller and exterior will be lit.</p> <p>Check the oil level. The oil level should be at the FULL mark, if necessary, add oil. DO NOT overfill. Inspect the unit for a possible oil leak, if a leak is discovered, contact Champion or your nearest Authorized Champion Dealer. Follow the FAULT CODE RESET instructions to clear the fault after service.</p>	
<p>High Engine Temperature</p> 	<p>The icon will be lit if the engine operating temperature exceeds the factory preset limits. If excessive operating temperature is detected, the HSB will shut down and re-start will be disabled. The warning LED on the controller and exterior will be lit.</p> <p>This failure could be the result of an excessive load or high ambient temperatures. Should this fault occur do the following:</p> <ol style="list-style-type: none"> 1. Open the enclosure doors to increase air flow through the HSB. 2. Check oil level and add oil if required. 3. Inspect the interior and exterior of the enclosure for debris, leaves, etc., and remove them to increase air flow around and inside the unit. 4. Once the engine temperature falls into the normal operating range, generally 30 minutes, follow the FAULT CODE RESET instructions to clear the fault after service. Then, put the fleX Controller™ in AUTO mode. 5. Close the enclosure doors and the unit is ready to run. 	

MODE	DESCRIPTION				
	<p>The icon will be lit if the HSB does not start. This prevents the HSB from damaging itself or other related components. When the fault is detected, the HSB will shut down and re-start will be disabled. The warning LED on the controller and exterior will be lit.</p> 				
	<p>STARTER CRANK CYCLE TIMES - If the HSB fails to start, the “OVER CRANK” icon will flash on the fleX Controller™ and a steady lit exterior warning LED on the backside of the HSB. Below outlines the crank cycle differences depending on the mode selected. Please note there is a 120 second lockout or rest period after the cycles for each mode listed to allow the starter to properly cool.</p> <p>Follow the FAULT CODE RESET instructions by pushing the OFF button to reset and clear the fault. Regardless of when you press OFF, you will need to allow the timer to count down to zero (0) before proceeding with another start procedure. The lockout time remaining is shown on the display below the lock icon.</p> 				
<p>Over Crank</p> 	<p>Mode</p>	<p>ON (seconds)</p>	<p>OFF (seconds)</p>	<p>Cycles</p>	<p>Lockout (seconds)</p>
	<p>AUTO The HSB is in the ready position. The fleX Controller™ must be in the AUTO mode in order to exercise.</p>	<p>9</p>	<p>10</p>	<p>5</p>	<p>120</p>
	<p>MAN The HSB will start in MANUAL mode.</p>	<p>10</p>	<p>10</p>	<p>2</p>	<p>120</p>
	<p>EXERCISE / TEST (PLC) The HSB is connected to a Champion Automatic Transfer Switch.</p>	<p>8</p>	<p>30</p>	<p>3</p>	<p>120</p>
	<p>EXERCISE / TEST (2-wire) The HSB is connected to a non-Champion Automatic Transfer Switch.</p>	<p>9</p>	<p>10</p>	<p>5</p>	<p>120</p>
<p>This failure could also be the result of insufficient fuel supply. Check the in-line fuel shut off valves and make sure they are in the ON/ OPEN position. Position them in the correct position, follow the FAULT CODE RESET instructions to clear the fault after service.</p> <p>If they are in the correct position and the HSB shows a fault light again, it's recommended to perform a Manometer pressure check by an Authorized Champion Dealer or installer. This will make sure the correct amount of fuel is being delivered to the HSB when it starts.</p> <p>Insufficient battery output could result in poor cranking cycles, not permitting the engine starter to reach optimum starting RPM to start the engine. This can be verified by checking the Battery Charger icon, NO CHARGE. If this occurs, the individual battery voltages must be checked to determine if the batteries are properly charged or if they have failed. It is extremely important to follow all the cautions and warnings per the battery manufacturer concerning installation, service, maintenance and replacement procedures.</p>					

MODE	DESCRIPTION	
<p>Hz Over Speed</p>  <p>Under Speed</p> 	<p>The icon will be lit if the engine was operating above or below its preset speed limits. These limits are factory set to protect the HSB and the circuits connected to the generator output circuits. When this fault occurs, the HSB will shut down, light the warning icon, shut down and re-start will be disabled. The warning LED on the controller and exterior will be lit.</p> <p>When this fault occurs, the HSB will shut down, light the warning icon, shut down and re-start will be disabled. The warning LED on the controller and exterior will be lit.</p> <p>If this failure occurs, contact Champion or your Authorized Champion Dealer. The icon will remain lit until the failure has been corrected, the HSB will not attempt to transfer or run. Follow the FAULT CODE RESET instructions to clear the fault after service.</p>	
<p>Line Over Voltage</p> 	<p>This icon will be lit if the HSB generator output power exceeds preset limits of 258-290 VAC and lasts 0.5 seconds. Alternatively, if the greater than 290 VAC and lasts 0.03 seconds. Both cases occur if running for 6 seconds the condition occurs.</p> <p>When this fault occurs, the HSB will shut down, light the warning icon, shut down and re-start will be disabled. The warning LED on the controller and exterior will be lit. Check and adjust AVR. Set voltage to 240 VAC.</p> <p>If this failure occurs, contact Champion or your Authorized Champion Dealer. The icon will remain lit until the failure has been corrected, the HSB will not attempt to transfer or run. Follow the FAULT CODE RESET instructions to clear the fault after service.</p>	
<p>Line Under Voltage</p> 	<p>This icon will be lit if the HSB generator output power is below preset limits of 216 VAC and lasts 0.5 seconds. This will occur if running for 10 seconds the condition occurs.</p> <p>When this fault occurs, the HSB will shut down, light the warning icon, shut down and re-start will be disabled. The warning LED on the controller and exterior will be lit. Check and adjust AVR. Set voltage to 240 VAC.</p> <p>If this failure occurs, contact Champion or your Authorized Champion Dealer. The icon will remain lit until the failure has been corrected, the HSB will not attempt to transfer or run. Follow the FAULT CODE RESET instructions to clear the fault after service.</p>	

MODE	DESCRIPTION	
<p>Low Battery</p> 	<p>This icon will be lit if the battery voltage falls below 21.0 volts for at least 2 seconds while the engine is running. If the battery voltage rises above 22 volts, the icon will turn off. Battery voltage is NOT monitored when the engine is cranking, just when the engine is running. If the icon comes on it will not shut the HSB off, it will remain lit until the battery condition meets the required output.</p> <p>When this fault occurs, the HSB will not shut down, light the warning icon, the battery charging should be checked. The warning LED on the controller and exterior will be lit.</p> <p>The icon will remain lit until the failure has been corrected, the HSB will continue to transfer or run until voltage drop causes fuel cut solenoid to close. Follow the FAULT CODE RESET instructions to clear the fault after service.</p>	
<p>Maintenance</p> 	<p>This icon will be lit if the HSB requires maintenance.</p> <p>The maintenance hour NEXT SERVICE meter counts from 100 hours to 0. You need to reset when the hour meter reaches 0. Refer to the scheduled maintenance chart.</p> <p>The icon will remain lit until the failure has been corrected, the HSB will continue to transfer or run. Follow the RESETTING THE MAINTENANCE HOUR METER to clear the fault after service.</p>	

Fault Protection

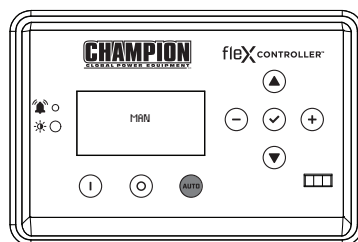
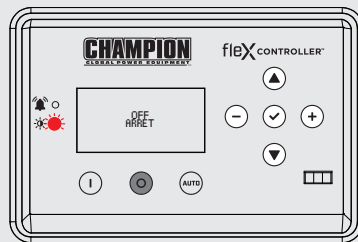
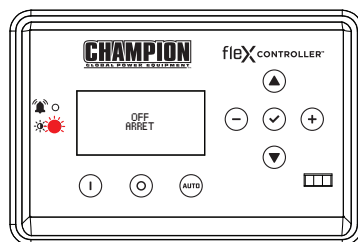
⚠ WARNING

All faults should be taken seriously and corrected before reset process is performed.

In all cases when the icon is lit, this is an indicator that the HSB has registered a fault and must be corrected. Only the “LOW BATTERY” and “MAINTENANCE” icons will not latch out or shut down the HSB. ALL other icon faults will latch out, shut down, disable starting and light the icon on the fleX Controller™ and the exterior warning LED on the backside of the HSB.

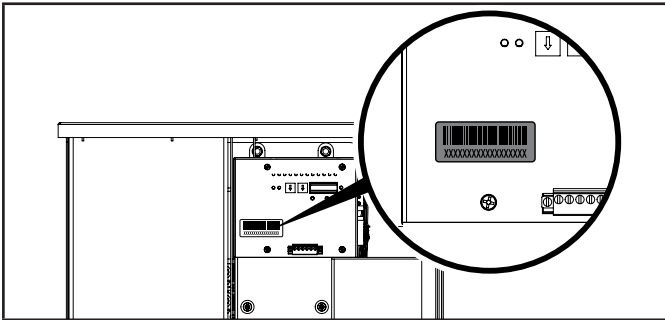
Fault Code Reset

DESCRIPTION	
1	In the event a fault has occurred
2	Push OFF button to reset
3	Then AUTO

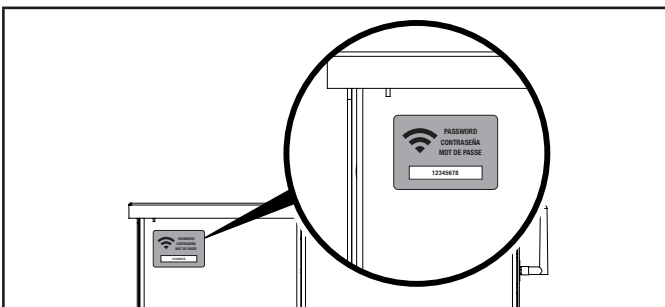


Wi-Fi Setup Method

1. Use a Wi-Fi enabled device (laptop, smart phone, tablet, etc.) in near proximity to the ATS.
2. Search and connect to network name (SSID) “Champion ####” where #### will match the last four digits of the serial number that is printed on the control board.



2a. The password for the network is located on a label on the dead front of the ATS.



NOTICE

During the setup your device will disconnect from the internet. The Champion Wi-Fi is a direct connection between your device (laptop, smart phone, tablet, etc.) and the ATS, and it does not connect to the internet. Some Android devices may show the following screen – Choose “Connect only this time.”



Internet may not be available.

If you want to connect this network without internet access, you can connect only this time or you can set your phone to always connect to it even if internet isn't available.

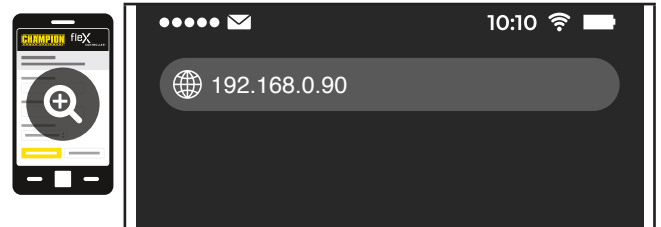
You can change this in Settings > Connections > Wi-fi > ADVANCED > Switch to mobile data > Network exceptions

[Connect only this time](#)

[Allow switch](#)

[Stay connected](#)

3. After connecting Wi-Fi, open your device’s web browser. In the browser address change the address to 192.168.0.90 and begin search. This will direct your browser to the Champion flex Controller™ Home Standby Generator Settings page located on the ATS. If your device’s web browser does not load the Champion flex Controller™ Home Standby Generator Settings Page but rather stays connected to the internet, turn off mobile data on the device (if applicable) and make sure the device is not connected to any other networks.



4. On the Champion flex Controller™ Home Standby Generator Settings Page, set the date and time. Use either the dropdown boxes or the “USE THIS DEVICE DATE & TIME” button to set the time and date.

USE DEVICE DATE & TIME ⓘ

Date:

Choose Month... ▾

Choose Date... ▾

Choose Year... ▾

Time:

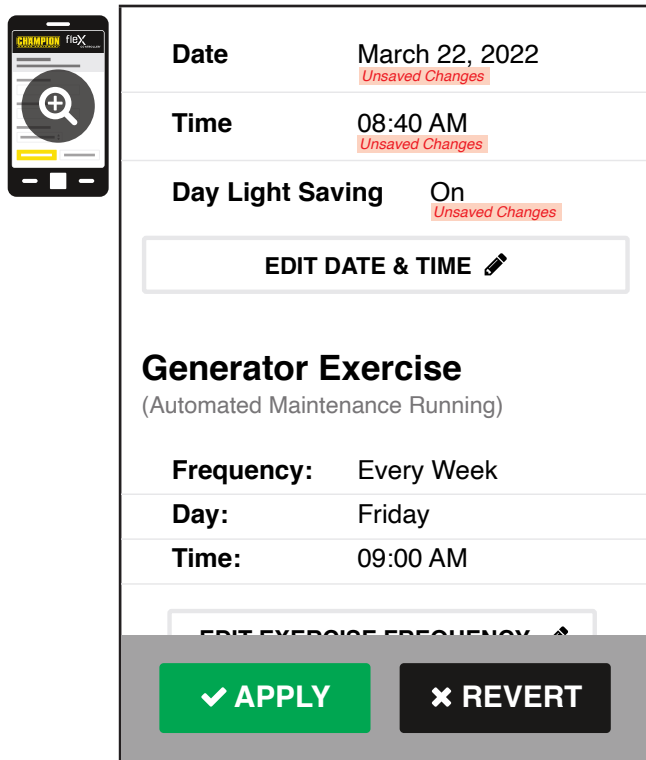
Choose Hour... ▾

Choose Minute... ▾

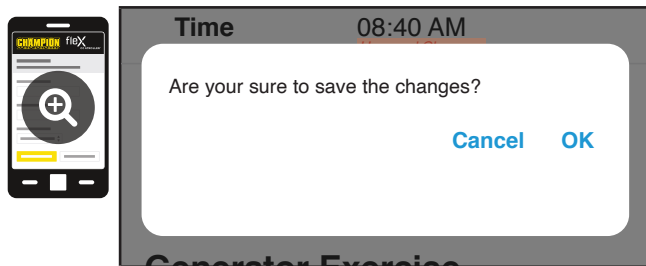
Choose AM/PM... ▾

CONFIRM DATE & TIME ➤

5. Confirm and apply the settings before continuing. If you do not apply immediately, the clock will be later than actual. Unsaved changes are highlighted.

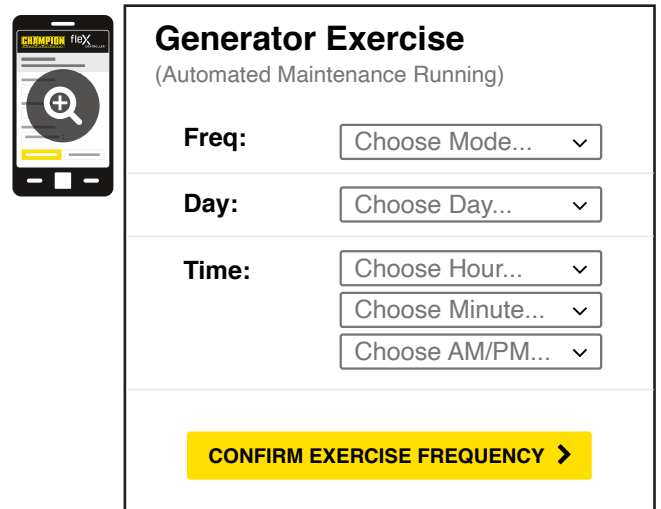


6. Some operating systems will require additional steps to confirm update, accept all pop-up windows until progress bar is seen on screen.

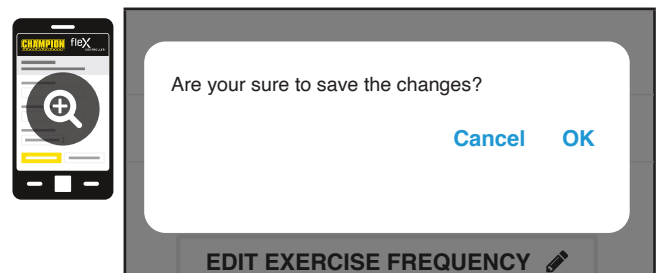
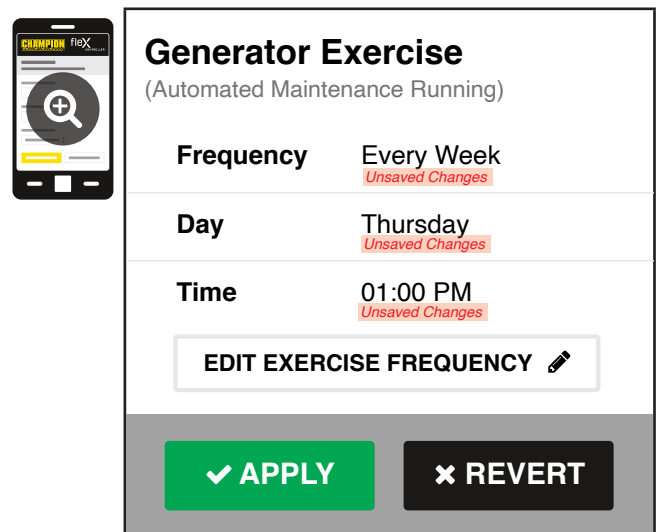


7. Set the HSB exercise frequency and schedule.

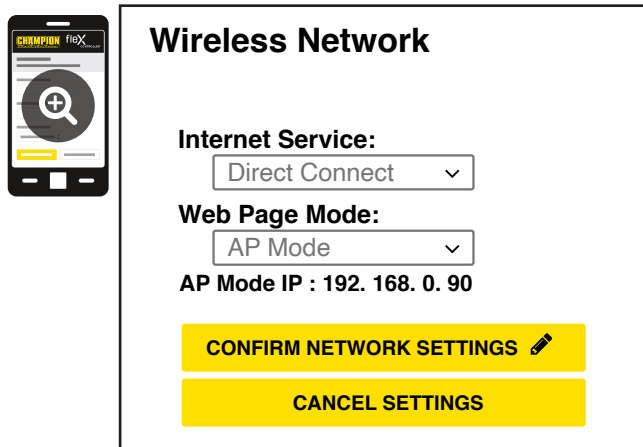
NOTE: Exercise duration is system set at 15 minutes. The duration is not adjustable. The fleX Controller™ must be in the AUTO mode in order to exercise.



8. Confirm and apply the settings before continuing. Unsaved changes are highlighted.


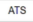




9. Wireless network settings are not used at this time. The default values (shown below) should not be adjusted. Adjustment of this factory settings will require a certified electrician to correct.

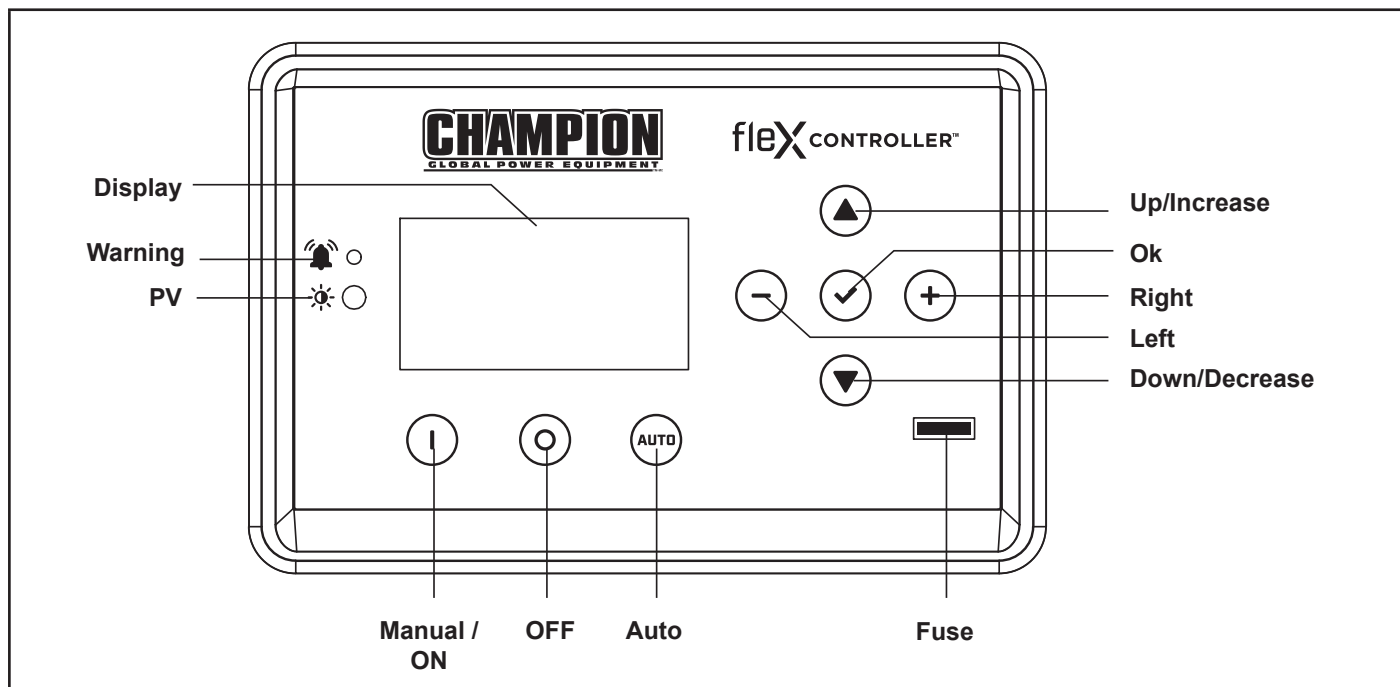


10. The time, date, and exercise information have now been setup for the flex ATS and HSB. You can close your browser and disconnect from the ATS Wi-Fi, or skip to step 2 in the next section “ATS and HSB STATUS USING WIFI”.

ATS and HSB Status Using WIFI

- Using a WIFI enabled device, connect to the “Champion HSB” WIFI network following steps 1, 2, and 3 from WIFI Setup Method.
- After loading the Home Standby Generator Settings page, locate and click the  icon at the bottom right corner of the page.
- You are now viewing the ATS and HSB status page. Items such as voltage, frequency, current, etc. can all be viewed for both utility and HSB power. All of the information is live. There are three tabs located at the top of the page.    ATS, GEN, and LMM. Each tab will display the status for the Transfer Switch, Home Standby Generator, or Load Management Module(s) respectively.
- When finished viewing the status of the ATS, Generator, and LMM, close your browser and disconnect from the WIFI.

PROGRAMMING FLEX CONTROLLER™



Explanation of USER SETTINGS for setting system and exercise time.

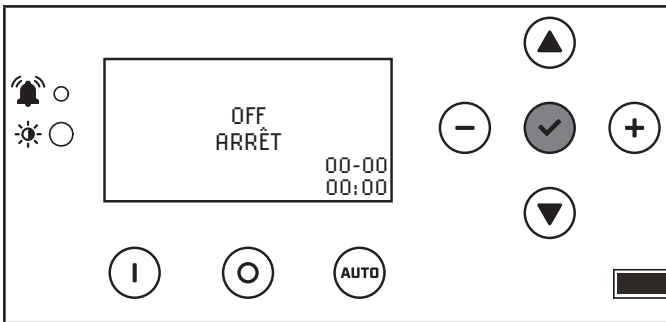
These variables show up after the ATS is connected and powered.

ON SCREEN		DESCRIPTION		DEFAULT VALUE
1	Year	SYS year	Year – each digit can be adjusted (example 2023 would be 2023)	2023
2	Month	SYS month	January to December with 01-12	12
3	Date	SYS date	Day from 1 to 31	31
4	Hour	SYS hour	Hours in military time 0 - 23	0
5	Minutes	SYS minutes	Minutes from 0-59	0
6	Second	SYS second	Second from 0-59	0
7	Week	SYS week	Week day from 1 to 7 1= Monday 2= Tuesday 3= Wednesday 4= Thursday 5= Friday 6= Saturday 7= Sunday	6
8	Daylight Saving Time	DST	DST on “ON” or “OFF”	OFF

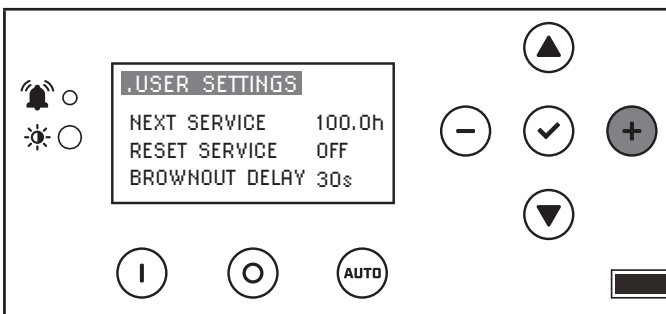
ON SCREEN		DESCRIPTION	DEFAULT VALUE	
9	Exercise Frequency	EXERCISE FREQ.	Exercise frequency options include: None = no exercise 1x/MO = 1 time per month (12 times annually) 2x/MO = 2 times per month (24 times annually) 4x/MO = 4 times per month (48 times annually) 1x/WK = weekly (52 times annually)	None
10	Exercise Day	EXERCISE DAY	Choose exercise day from 1 to 7 1= Monday 2= Tuesday 3= Wednesday 4= Thursday 5= Friday 6= Saturday 7= Sunday	1
11	Exercise Start Hour	EXER START H	Hours in military time 0 - 23	0
12	Exercise Start Minutes	EXER START M	Minutes from 0-59	0
13	Exercise Time Duration	EXERCISE TIME	Exercise duration from 1-100 minutes	15min

Setting System Time

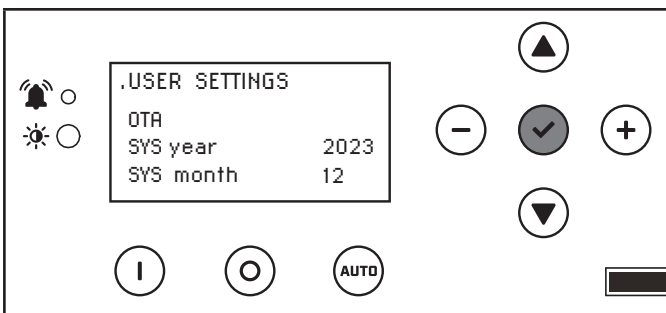
1. To begin programming, disable AUTO by pressing OFF. The screen should show OFF, then press and hold OK (checkmark icon) for 3 seconds.



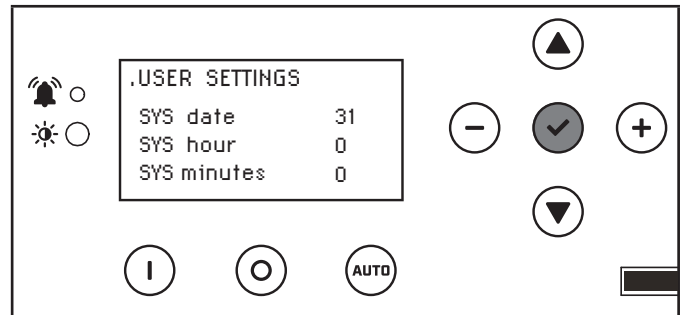
2. Click + until you reach USER SETTINGS. Click down once until the first menu item is highlighted.



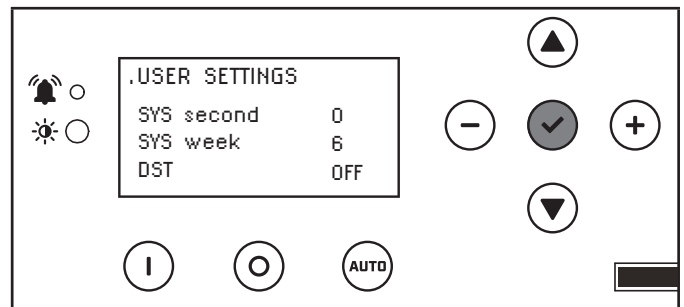
3. Scroll down until you reach date settings. Press OK, on the first setting to adjust year, then month – SYS year and SYS month. Then use a combination of up/down to adjust each digit of the year, then - /+ to move to the right or left and adjust the next digit. Press OK to return and scroll down to adjust month – SYS month - the same way.



4. Scroll down until you reach date settings. Press OK, on the next setting to adjust date, hour, and minutes – SYS date, hour, minutes. Then use a combination of up/down to adjust each digit on the date, hour, minutes. Then - /+ to move to the right or left and adjust each digit. Press OK to return and scroll down to adjust second, week and DST the same way.

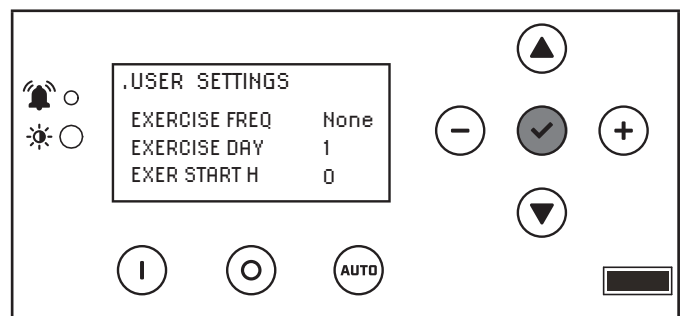


5. Scroll down until you reach date settings. Press OK, on the next setting to adjust second, week, and daylight saving time – SYS second, SYS week, DSI. Then use a combination of up/down to adjust each digit on the adjust second, week, and daylight saving time. Then - /+ to move to the right or left and adjust each digit. DST is just ON or OFF. Press OK to return and scroll down to adjust exercise information.

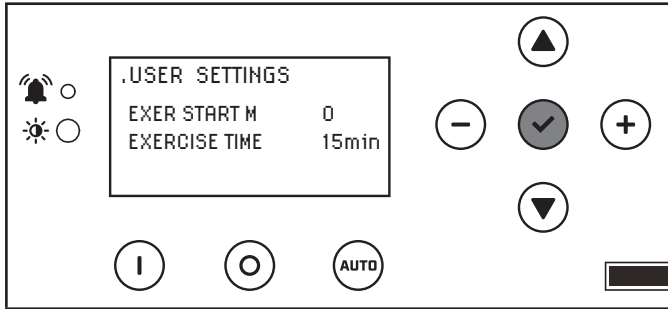


Setting Exercise Time

1. Scroll down until you reach exercise settings. Press OK, on the next setting to adjust exercise frequency, day and start time. Then use a combination of up/down to adjust each digit, then - /+ to move to the right or left and adjust each digit. Press OK to return and scroll down to adjust hour, minutes the same way.



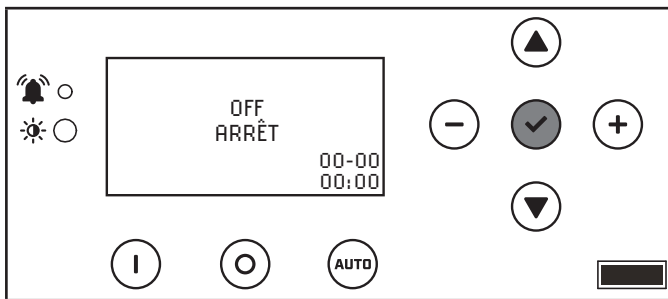
2. Scroll down until you reach exercise settings. Press OK, on the next setting to adjust exercise start time (the minutes portion of the time) and length of exercise (how long the exercise should run in minutes). Then use a combination of up/down to adjust each digit on the adjust each digit. Then -/+ to move to the right or left and adjust each digit. Press OK to return.



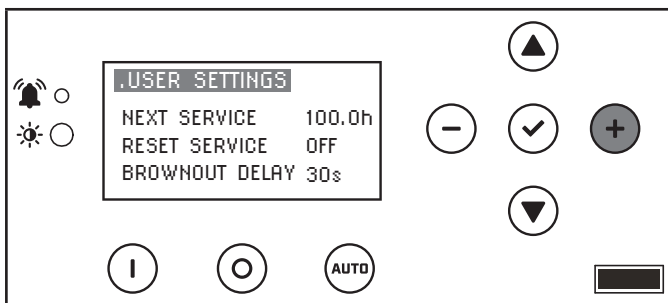
Setting Brownout Delay

Brownout allows you to adjust the settings of the fleX Controller™ to delay start up of the HSB during a brownout or partial, temporary reduction in system voltage or total system capacity from your utility. Default is 30 seconds. Choose in second increments (0-600 seconds).

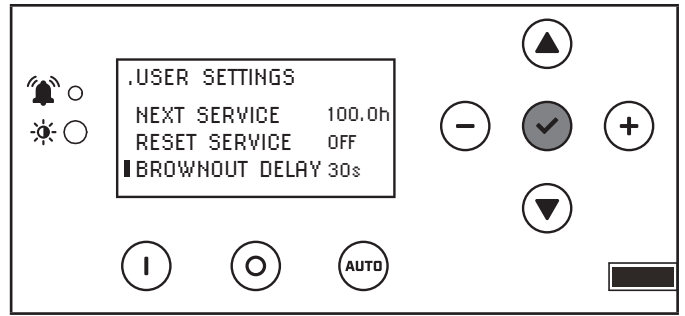
1. To begin programming, disable AUTO by pressing OFF. The screen should show OFF. Then press and hold OK for 3 seconds.



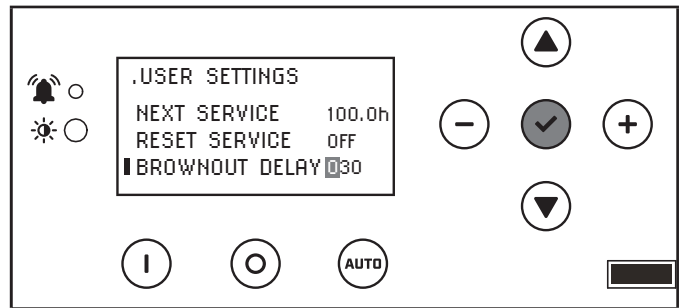
2. Click + until you reach USER SETTINGS. Click down once until the first menu item is highlighted.



3. Scroll down until you reach BROWNOUT DELAY, and press OK.



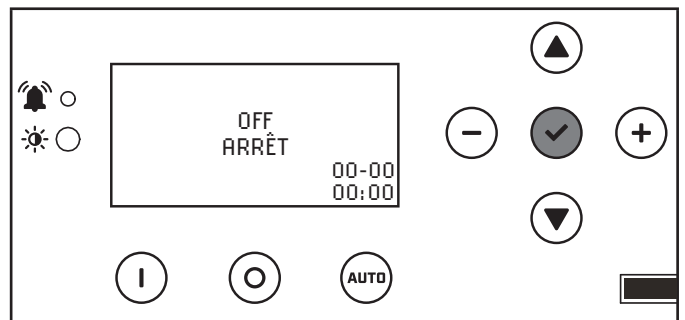
4. Use a combination of up/down to adjust. Then -/+ to move to right or left each digit brown out delay. Default is 30 seconds. Choose in second increments (0-600 seconds). Press OK to return.



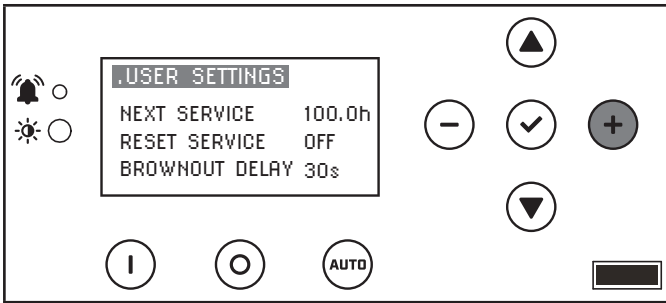
Setting Power Line Carrier (PLC)

PLC Communication (PLC COMM) allows you to adjust the settings of the fleX Controller™ to turn off communication if you setup two-wire start or do not have utility. Default is ON.

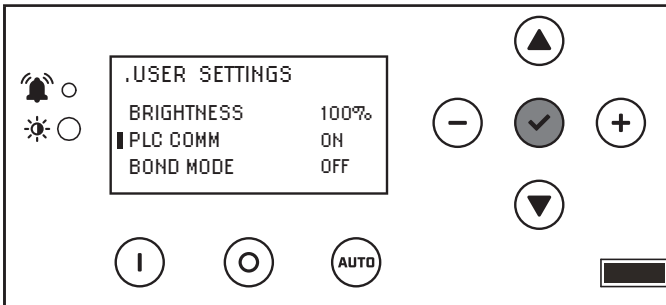
1. To begin programming, disable AUTO by pressing OFF. The screen should show OFF. Then press and hold OK for 3 seconds.



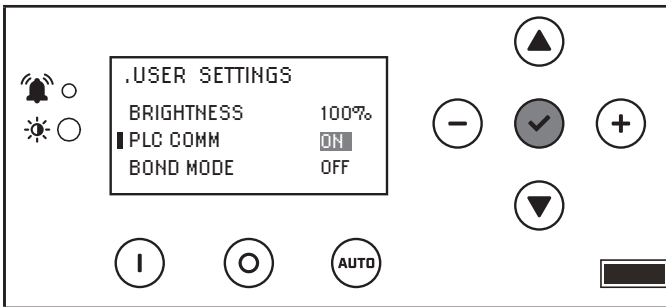
- Click + until you reach USER SETTINGS. Click down once until the first menu item is highlighted.



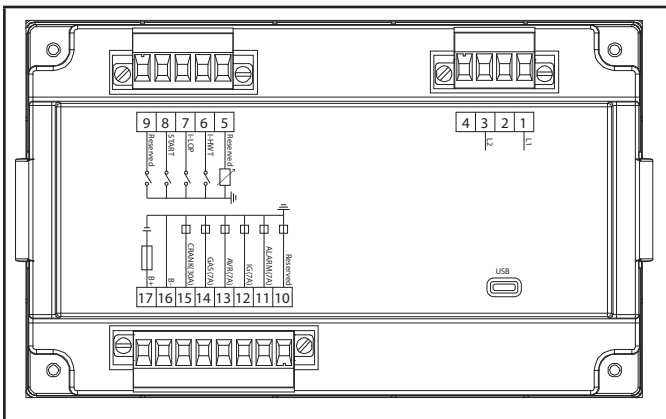
- Scroll down until you reach PLC COMM, and press OK.



- Use a combination of up/down to adjust. Default is ON. Press OK to return.



PIN Locations



The pins relate to a function of the fleX Controller™. These functions control the operation of the HSB fleX Controller™ module. There are 17 pin locations. These are the designated pin locations, function and wire colors for reference:

Pin Location	Function	Wire Color
Pin 1	Frequency Over/Under	R (Red)
Pin 2	Not Connected	
Pin 3	Frequency Over/Under	B (Black)
Pin 4	Not Connected	
Pin 5	Not Connected	
Pin 6	Engine High Temp	L (Blue)
Pin 7	Low Oil Pressure	Gr (Grey)
Pin 8	Used for two-wire start	Br (Brown)
Pin 9	Not Connected	
Pin 10	Not Connected	
Pin 11	Alarm	Br (Brown)
Pin 12	Stop	P (Pink)
Pin 13	AVR	R/W (Red/White)
Pin 14	Fuel Valve	Y (Yellow)
Pin 15	Motor Start Signal	Pu (Purple)
Pin 16	B-	B (Black)
	Used for two-wire start	
Pin 17	B+	R (Red)

Automatic Transfer Switch (ATS)

The most reliable and convenient method to transfer power is with an automatic transfer switch (ATS). The ATS will automatically disconnect the home from the utility power prior to the HSB functioning (see NEC 700, 701 and 702). Failure to disconnect the home from the utility with an approved UL listed ATS can result in damage to the HSB and can also cause injury or death to utility power workers who may receive electrical back-feed from the HSB.

ATS includes sensors to detect when a power failure (utility lost) occurs. These sensors trigger the ATS to disengage the home from the utility power. When the HSB reaches the proper voltage and frequency, the ATS will automatically transfer generator power to the home.

The ATS module continues to monitor the utility source for the return of utility power. When the utility power returns, the ATS disengages the home from generator power and re-transfers the home to utility power. The HSB is now off line and will shut down-returning to the standby mode.

NEMA 3R – This type of enclosed ATS is similar to the indoor box, except that it is a weatherproof enclosure and required for exterior installations by code. The enclosure has knockouts on the bottom and side, and requires water tight connections when installed outside per code. This enclosure can also be used inside.

fleX Controller™ Module

This standby generator is designed to communicate with the ATS using the integrated fleX Controller™. In order to utilize features such as load management, wifi programming, wireless exercise programming, etc., it is necessary that the ATS contains fleX Controller™ electronics.

While it is possible to connect this standby generator to a non-fleX Controller™ ATS using the two-wire connection shown in this manual, it will reduce the functionality of the standby generator significantly. If the standby generator is being controlled with the two-wire connection, the standby generator will turn on and off based on the two-wire signal. Full power will still be provided through the circuit breaker however will lose functionality of the ATS (like day, date, time, exercise settings).

ATS INSTALLATION

Refer to the ATS manual enclosed with each ATS for information related to the installation, operation, service, troubleshooting, and warranty.

After performing installation of Champion ATS with fleX Controller™, complete the following steps to finish the installation of this standby generator.

NOTE: If a non-fleX Controller™ ATS was installed, please skip to section “Installing Standby Generator to non-fleX Controller™ ATS” to finish installation.

Bond Mode

If LMM are installed, please complete the BOND MODE instructions found in the ATS manual.

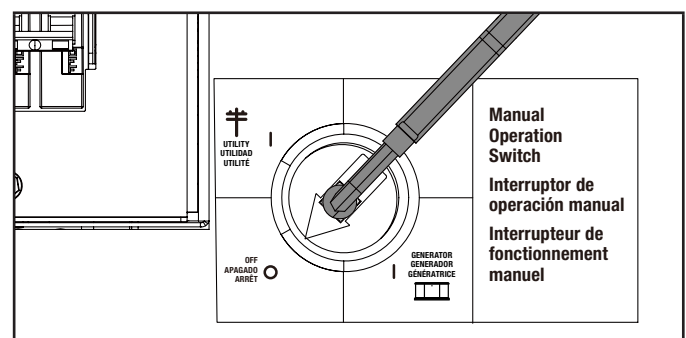
Full System Check

1. Please ensure BOND MODE has been completed before final system check. See ATS manual.
2. Open Utility breaker for full system test, close breaker after confirming all systems working.
3. After Utility breaker opens engine will start automatically.
4. fleX ATS will reboot on Generator power and control switching of latching relays.
5. Home is now powered by Generator. If Load Management modules (LMM) have been installed, please allow 5 minutes for LMM and AC1/AC2 to become active.
6. Perform Load Learning through ATS panel at this time. LMM units will be dropped and reacquired in order.
7. Close Utility breaker.
8. System is now fully functional.

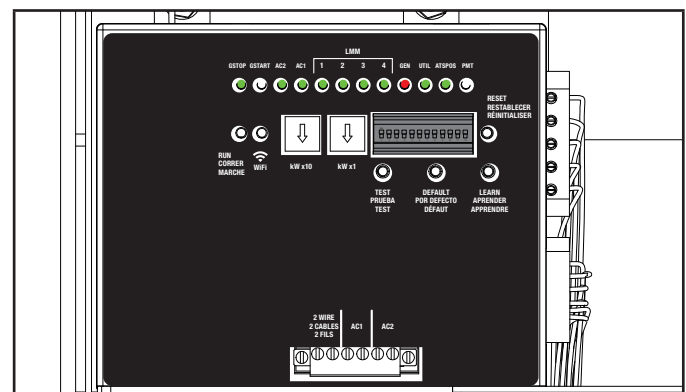
9. Put the fleX Controller™ to the previous position (either MANUAL or AUTO for example). Confirm utility power is active, utility side relay is closed, and home is receiving power.

Commissioning the ATS

1. Put the fleX Controller™ in the OFF position.
2. With door and deadfront removed from the ATS cabinet, confirm Generator and Utility circuit breakers are in the “OFF” position.
3. Confirm Manual Operation Switch indicator is “OFF” position. If not, place handle on the manual operation switch, and set the ATS in the OFF position.



4. Re-enable the Utility power to ATS.
5. At ATS panel switch Utility circuit breaker to the “ON” position. Allow at least 6 minutes for all ATS functions to resume on controller.
6. Confirm ATS controller in ATS panel has fully booted and LEDs indicate proper operating condition.



LED	Function
GSTOP	Green
GSTART	Off
AC2 to LM4	Green
GEN	Red
UTIL	Green
ATSPDS	Green
PMT	Green
RUN	Off

7. Switch Generator circuit breaker to the “ON” position.
8. Replace the dead front by sliding it from the bottom up into the cabinet; panel should index into the door latch protrusions. Secure it to the dead front bracket with included nut and stud.
9. Replace the door and secure with included hardware. It is recommended to secure the door with a lock.
10. Return to HSB and press the controller to the “AUTO” position. Confirm icons indicate Utility power is active, Utility side relay is closed, and home is receiving power.
11. Close and lock HSB cover and return keys to customer.

HSB Test

SPEED SETTING NO LOAD

No speed adjustments are necessary as it’s governed by an electronic speed controller. ATS door opened, and dead front removed as well as the HSB hood and various access panels removed for the following sections.

⚠ DANGER

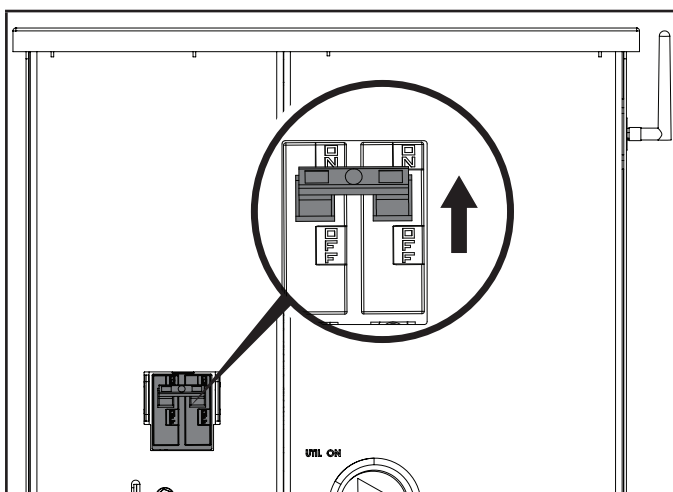
Proceed with caution. Once the Utility Power is turned ON, the ATS is now electrically hot. The feeder lines and terminals are now live.

Contact with these connections will result in extremely hazardous and possibly fatal electrical shock. Use the correct procedures as described in national electrical codes.

⚠ WARNING

The manufacturer recommends that a licensed electrician or an individual with complete knowledge of electricity perform these procedures.

1. Place flex Controller™ in the OFF position and remove flex Controller™ fuse.
2. Turn ON the utility power supply to the ATS.



3. With an AC voltmeter, check for the correct voltage. Single-phase utility power supply. Measure across the UTILITY SUPPLY ATS terminal lugs L1 and L2. Also check L1 to NEUTRAL and L2 to NEUTRAL.
4. The utility supply voltage should be correct and compatible with the ATS ratings.
5. Turn OFF the utility power supply to the ATS.
6. The Control Panel MAIN CIRCUIT BREAKER must be in the OFF position.
7. Set the flex Controller™ in the MANUAL mode. The HSB will crank and start. Let the HSB warm up at no load for 5 minutes to stabilize performance.
8. Set the Control Panel MAIN CIRCUIT BREAKER in the ON position.

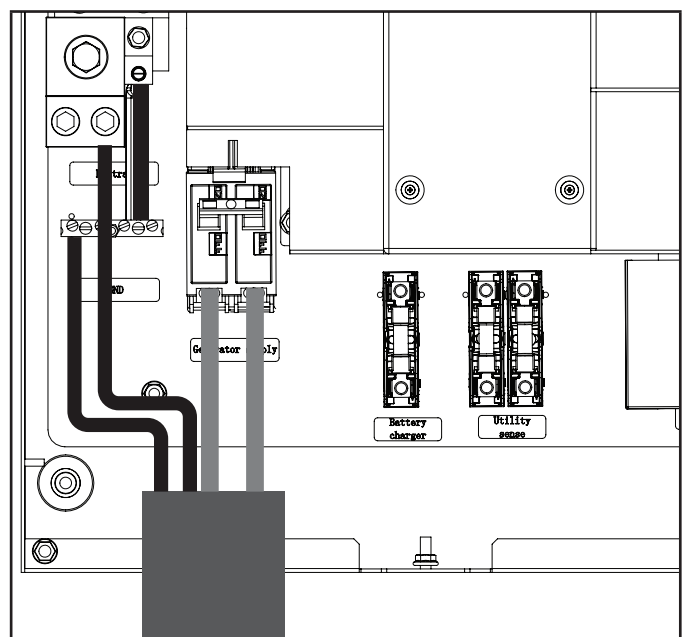
⚠ DANGER

Proceed with caution. HSB generator output voltage is now being delivered to the ATS and is electrically hot. The feeder lines and terminals are now live.

Contact with these connections will result in extremely hazardous and possibly fatal electrical shock.

9. With an AC voltmeter, check the correct voltage. Single-phase generator supply.
10. Measure across GENERATOR SUPPLY ATS lugs L1 and L2. Also check L1 to NEUTRAL. These are factory, no load, pre-set limits.

Frequency	62.5 Hertz
Terminals L1 to L2	240 VAC
Terminals L1 to NEUTRAL	120 VAC
Terminals L2 to NEUTRAL	120 VAC



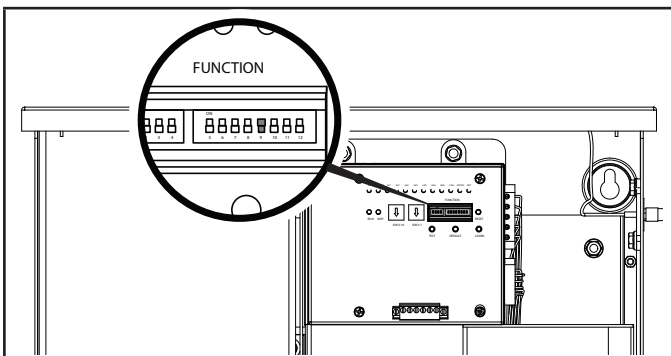
- Set the HSB generator MAIN CIRCUIT BREAKER to its OFF position.
- Set the fleX Controller™ to the OFF position. This will shut off the HSB.

HSB Tests Under Load

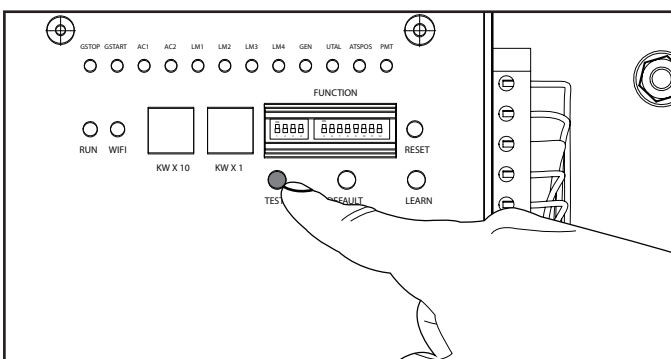
During this test you **DO NOT** need to turn off any circuit breakers in the Utility Main Distribution Panel, HSB Control Panel or the ATS.

This procedure will verify load Voltage and frequency output. Prior to starting the test, you can place a Manometer in line to check fuel flow when the HSB is near rated load.

- Remove ATS dead front.
- Assure DIP switch #9 (TEST WITH LOAD) is in the ON position.



- Press TEST button.



- The engine will start and the ATS will transfer.
- The fleX Controller™ screen will indicate that the generator is now supplying power to the home.

⚠ WARNING

The manufacturer recommends that a licensed electrician or an individual with complete knowledge of electricity perform these procedures.

- With rated load applied, check voltage and frequency across ATS GENERATOR SUPPLY terminals L1 and L2. Voltage must be greater than 216 Volts.

- Frequency should be greater than 58 Hertz.
- Verify that the gas pressure remains within the acceptable parameters as listed in the manual, if you placed a Manometer in line prior to starting this test.
- In test mode, the HSB will run under load for 15 minutes at which time it will conclude the test and shut off automatically. With the unit running listen for unusual noises, inspect for vibrations or other unusual items that might reflect a problem.
- To stop the test prior to automatic shut off, press the Test Button in the ATS a second time.
- The HSB will run through a cool down cycle, shut down and return to standby mode.
- The test is now complete, and the system is in standby mode.

Checking Automatic Operation

To check the HSB system for proper automatic operation, proceed as follows:

- Turn the ATS utility side breaker OFF.
- Engine will start and the ATS will transfer.
- Allow the system to go through a complete cycle. (Approximately 7 minutes)
- To conclude Automatic Operation Check, turn the ATS utility breaker ON.
- The HSB will run through a cool down cycle, shut off, and return to standby mode.
- Replace covers on ATS and HSB that were removed for HSB Test and Checking Automatic Operation. This check is now complete.

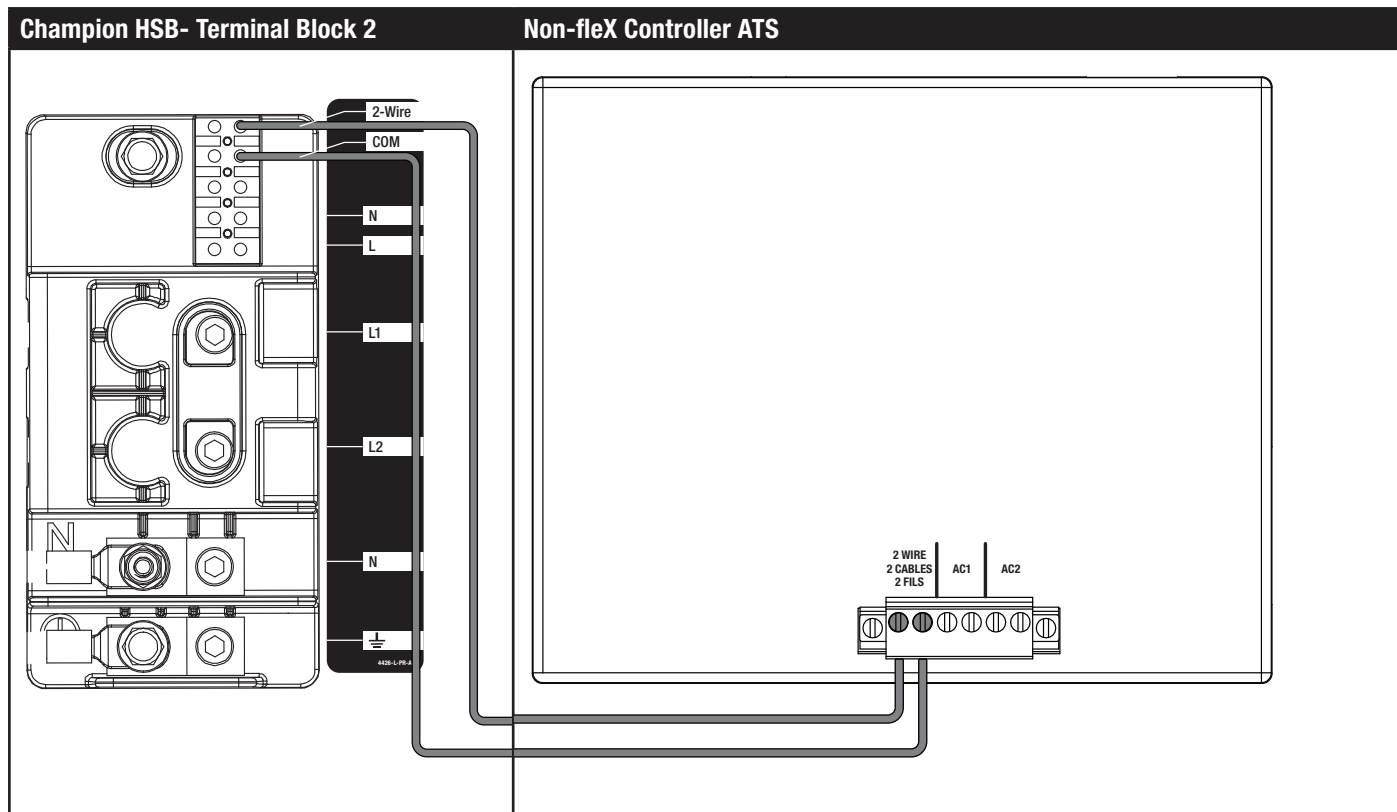
Installing Standby Generator to non-fleX Controller™ ATS

NOTE: This section is only for those looking to install their fleX Controller™ HSB to a non-fleX Controller™ ATS that supports a two-wire HSB start/stop signal. Please refer to the ATS installation manual for instructions on how to wire the ATS.

If the fleX Controller™ HSB is being connected to a non-fleX Controller™ ATS, it will be necessary to use a two-wire connection shown below to control the on/off operation of this HSB. Note that this will disable some of the fleX Controller™ features such as load management, WiFi connectivity, and wireless exercise programming.

Two-Wire Connection

A two-wire connection refers to a signal circuit that runs between the non-flex Controller ATS and the HSB. When installed in this configuration, the HSB will turn on and off based on the signal it is receiving from the ATS. The two-wire signal from the non-flex Controller ATS is connected to 2-wire (START) and COM (Ground) Terminal Block 2. Refer to the non-flex Controller ATS operator's manual for the wiring diagram on how to create the circuit.



Customer Familiarization Summary

It's important to educate the home owner on proper maintenance, operation and service call procedures. A properly educated home owner can reduce unnecessary service trips and phone calls.

Ensure that the installation of the HSB and ATS has been correctly performed as outlined by the manufacturer and that it meets all applicable codes.

Test and confirm proper operation of the HSB and ATS system as outlined in the appropriate installation and owner's manuals.

Educate the home owner on the location and operation of;

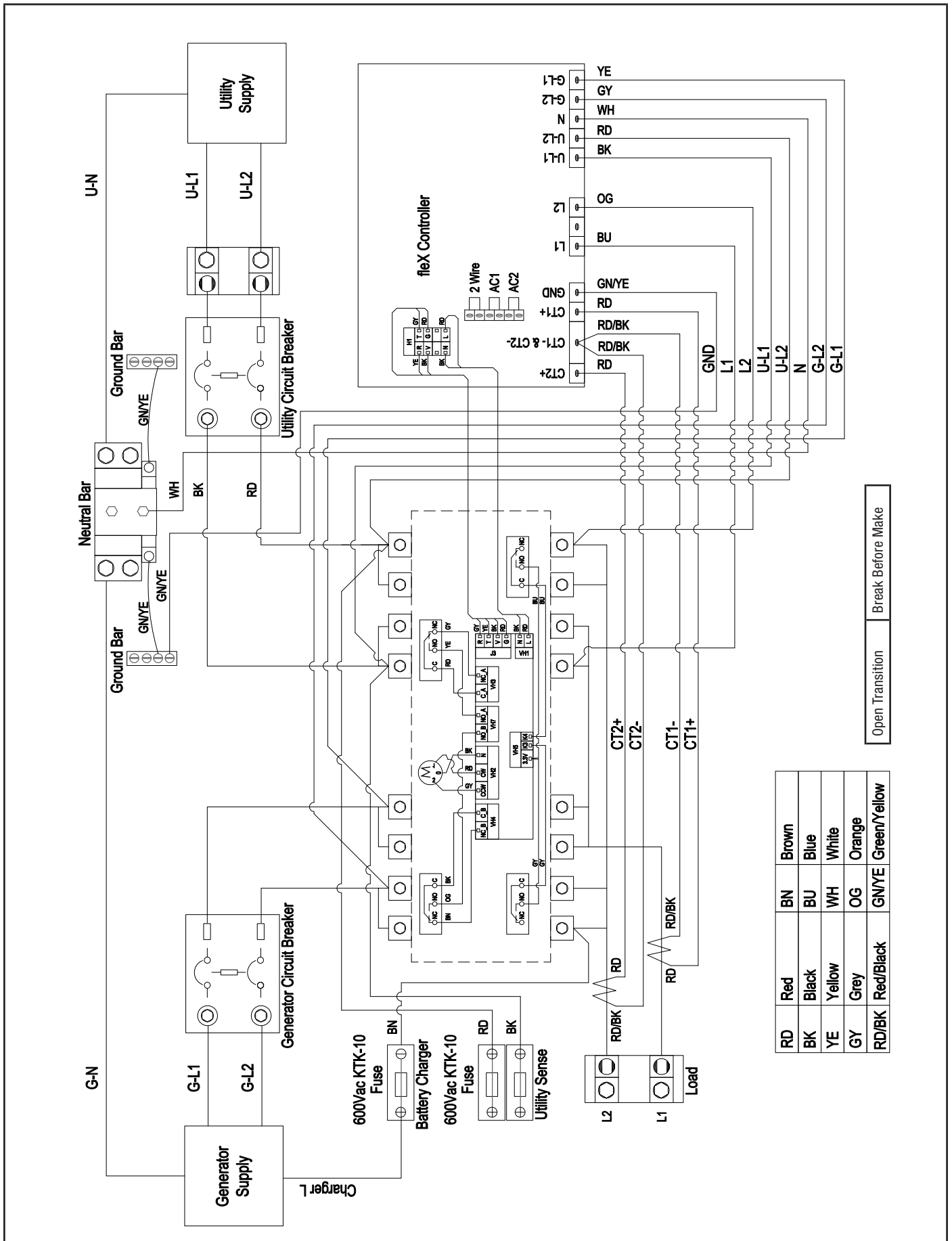
- Full flow shutoff valve
- Automatic operation of the HSB system
- Battery Charger and LED indicators
- Exterior warning LED on the backside of the HSB
- ATS operation
- Exercise scheduled time of operation
- Scheduled Maintenance
- Fill out and provide the customer a copy of the HSB, ATS model & serial number reference. This information is extremely important for part purchases and service information, these numbers are specific to each HSB and ATS.

MAINTENANCE

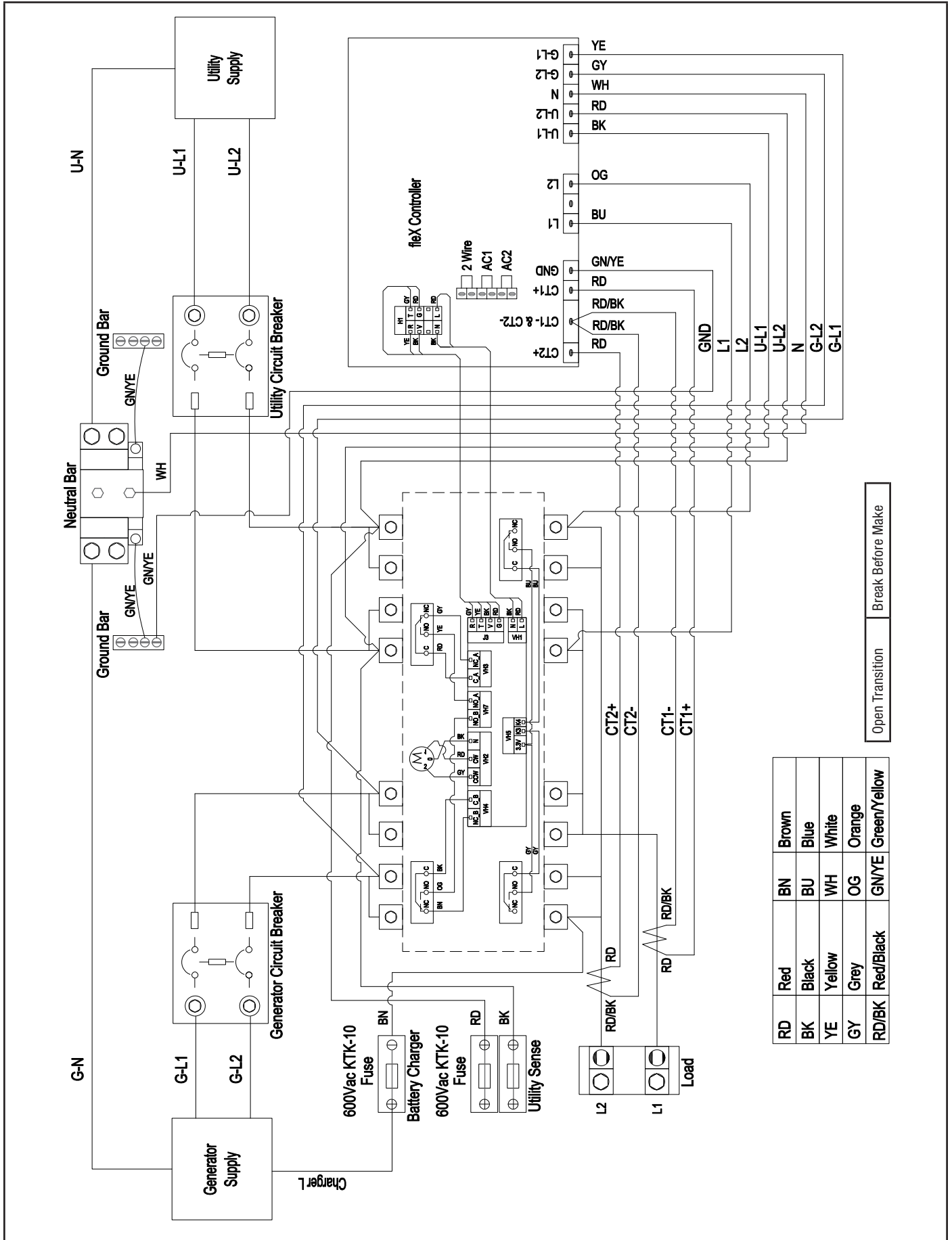
Before performing maintenance procedures, review SAFETY section of your operator's manual.

Ensure that the ATS and generator ON/OFF switches (depending on model) are in the OFF position before performing any maintenance or cleaning.

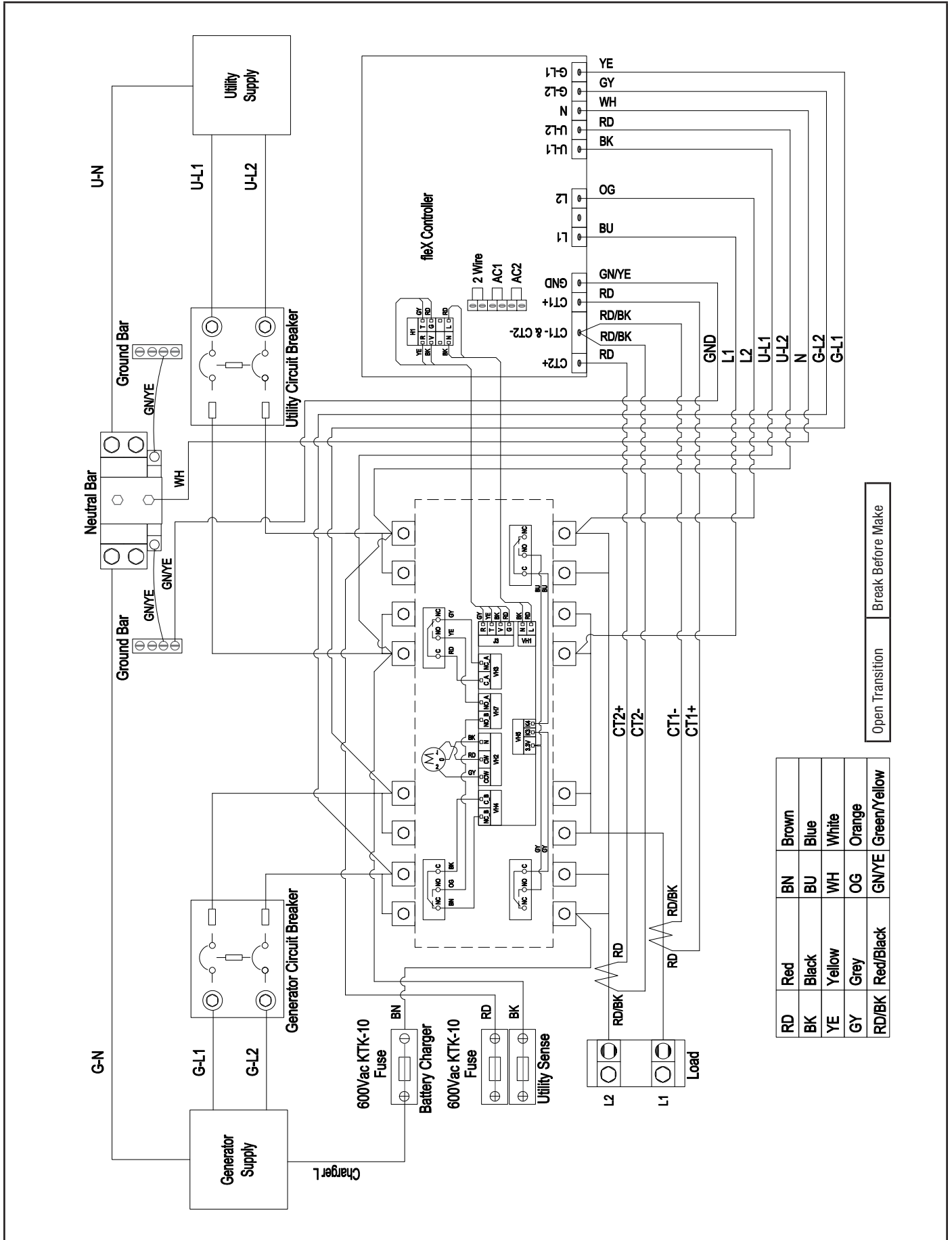
201020 ATS WIRING DIAGRAM



201039 ATS WIRING DIAGRAM



201355 ATS WIRING DIAGRAM



TROUBLESHOOTING HSB

Engine will not crank/turn over		
1	HSB set in "OFF" mode.	Place the flex Controller in the AUTO position.
2	Battery not connected or loose, corroded posts or wires	Connect the batteries according to owner's manual, clean and tighten the battery connections
3	Battery(s) not charged or low charge.	Recharge or replace battery(s).
4	Check for active fault code.	Identify fault code, correct and reset.
5	Defective starter solenoid *	
6	Defective starter *	
7	Generator ON/OFF switch is in the OFF position.	Check the generator ON/OFF switches are in the ON position.

Generator will crank/turn over but will not start		
1	Check for active fault code.	Identify fault code, correct and reset.
2	Fuel valve(s) turned off.	Turn on fuel supply.
3	Fuel pressure insufficient*.	Manometer check, confirm fuel pressure to fuel regulator*.
4	Weak battery(s).	Recharge or replace battery(s)
5	Low oil level.	Check for oil leaks. Check the oil level and add oil if necessary.
6	Spark plug wire is disconnected.	Connect spark plug wire.
7	Defective fuel solenoid/regulator. *	

Engine starts, runs rough		
1	Fuel pressure insufficient*.	Manometer check, confirm fuel pressure to fuel regulator*.
2	Wrong fuel.	Check the jet block and the position of LPG/NG ignition timing switch.
3	Faulty spark plug, loose spark plug wire.	Change spark plug, set gap, connect wire.
4	Plugged air cleaner	Clean or replace air cleaner.
5	Generator overloaded*.	Remove one or more loads*.
6	Shorted circuit *	

HSB starts, then suddenly stops		
1	Check for active fault code.	Identify fault code, correct and reset.
2	Fuel supply insufficient*	Manometer check, confirm fuel pressure to fuel regulator*.
3	Low oil, pressure shut down	Check for oil leaks. Check the oil level and add oil if necessary.
4	Generator over loaded	Turn off standby circuits for house, reset fault, place unit back into AUTO and ATS mode. Turn on standby circuits for house. If problem returns contact Champion or Champion service dealer*.
5	Engine high/over temperature shut down	Check all intake and exhaust ventilation around the HSB, remove all debris. Let HSB sit for 30 minutes to cool down.

No AC output		
1	Circuit breaker in “OFF” position	Turn on breaker.
2	Main circuit breaker in “OFF” position.	Turn on breaker.
3	Transfer switch breaker in “OFF” position.	Turn on breaker.
4	Generator or HSB breaker is set in “OFF” position.	Turn on breaker.
5	Line circuit tripping breaker because of short circuit *	
6	Line circuit tripping breaker because of overload *	
7	Poor wiring connections*	
8	ATS problems*	

Reset fault code(s)

There is an exterior warning LED located on the back of the enclosure. This should be checked weekly to make sure there are no active fault codes.

The fault code(s) can be reset by placing the flex Controller™ in the OFF position for 10 seconds and then placed into ATS mode. This will reset fault icon, however if a fault code(s) re-occurs it must be addressed.

BATTERY(S) NO OR LOW LEVEL CHARGED, BATTERY(S) DEAD, NEEDS REPLACEMENT, THE EXERCISE TIME MUST BE RESET ONCE THE BATTERY(S) HAVE BEEN DISCONNECTED.

**Contact Champion Power Equipment, Technical Service toll free 1-877-338-0999, tech@championpowerequipment.com or your nearest Champion dealer.*

www.championpowerequipment.com

HSB, ATS Model & Serial Reference ATS Back-up Circuits

HSB Model Number _____

HSB Serial Number _____

Fuel Type LPG _____ NG _____

ATS Model Number _____

ATS Serial Number _____

ATS circuits powered _____

Date Installed _____

Dealer/Installer _____

Address _____

Phone _____

Cell _____

Purchased from _____