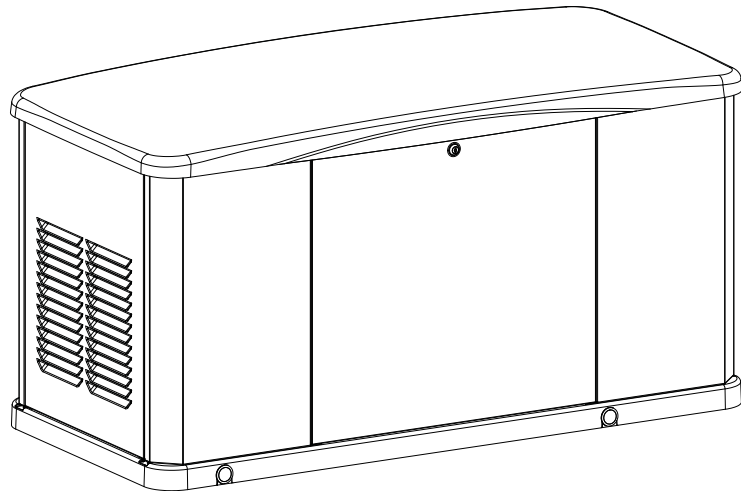


Champion Power Equipment, Inc.

MODEL #201202



PARTS INFORMATION

22-KW HOME STANDBY GENERATOR WITH FLEX CONTROLLER™

SERIAL NUMBER RANGE: ALL



To order replacement parts please visit:
shop.championpowerequipment.com
or call **1-877-338-0999**.

TABLE OF CONTENTS

Generator Parts Diagram	3	Mounting Plate Assembly Parts Diagram	19
Generator Parts List	4	Mounting Plate Assembly Parts List	20
Engine Parts Diagram	5	Frame Parts Diagram	21
Engine Parts List	6	Frame Parts List	22
Cylinder Head Left Parts Diagram	9	Outlet Panel Parts Diagram	23
Cylinder Head Left Parts List	10	Outlet Panel Parts List	24
Cylinder Head Right Parts Diagram	11	Wiring Diagram	25
Cylinder Head Right Parts List	12		
Shell Parts Diagram	13		
Shell Parts List	14		
Muffler Assembly Part Diagram	15		
Muffler Assembly Parts List	16		
Alternator Parts Diagram	17		
Alternator Parts List	18		

GENERATOR PARTS DIAGRAM

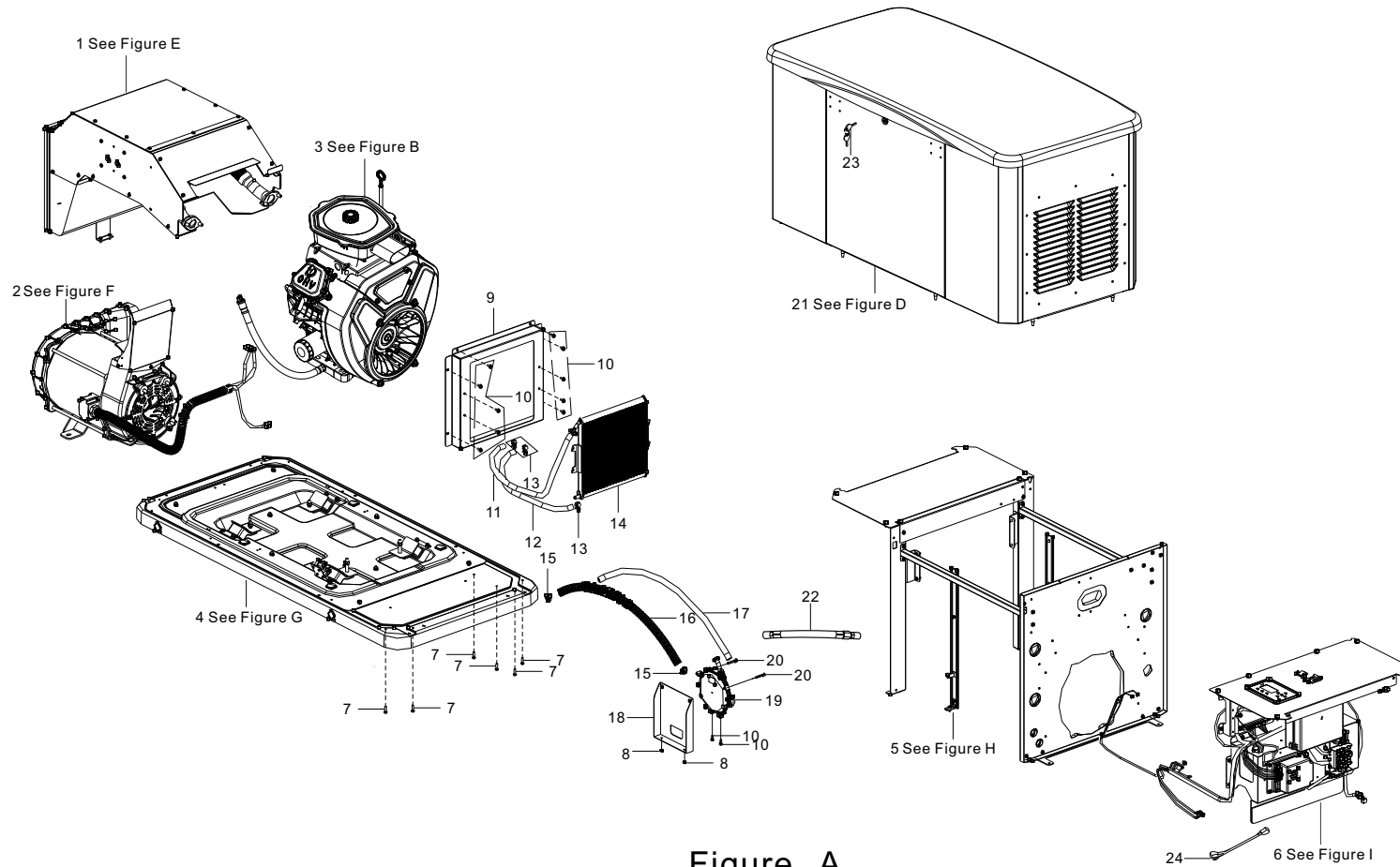


Figure A

GENERATOR PARTS LIST

#	Part Number	Description	Qty.
1	96117-Y18100-0003	Muffler Assembly - See Figure E	1
2	96114-Y31300-0007	Alternator Assembly - See Figure F	1
3	96100-999DM000-02	Engine - See Figure B	1
4	96103-Y51100-0012	Base plate Assembly - See Figure G	1
5	96103-Y51100-0013	Frame Assembly - See Figure H	1
6	96119-Y35610-0004	Panel Assembly - See Figure I	1
7	90005-000006	Hex Flange Bolt, M6 x 16, Dacromet	6
8	90305-000007	Hex Flange Nut, M6 x 8, Dacromet	2
9	19346-000002	Support Bracket, Oil Cooler	1
10	90022-000002	Toothed Hex Flange Bolt, M6 x 12, Dacromet	12
11	19111-000007	Cooling Tube, Ø9.5 x Ø17 x 685	1
12	19111-000002	Cooling Tube, Ø9.5 x Ø17 x 480	1
13	90685-000019	Clamp 1	4
14	19100-000002	Oil Cooler	1
15	90748-000003	Clamp, Ø12 - 22	2
16	90697-000005	Corrugated Pipe, Ø23xØ28.5x550	1
17	90729-000022	Hose	1
18	77002-000001	Mounting Support Plate, Gas Regulator	1
19	77100-000018	Regulator, Gas	1
20	90022-000003	Toothed Hex Flange Bolt, M6 x 25, Dacromet	2
21	96132-Y80094-0001	Housing Assembly - See Figure D	1
22	90729-000019	Gas Inlet Flex Hose	1
23	35207-000001	Keys, Door Lock	1
	S/N:≤R2503120066		
	161.200110.00.01		
	S/N:>R2503120066		
24	90805-000003	Connection Cables	1

ENGINE PARTS DIAGRAM

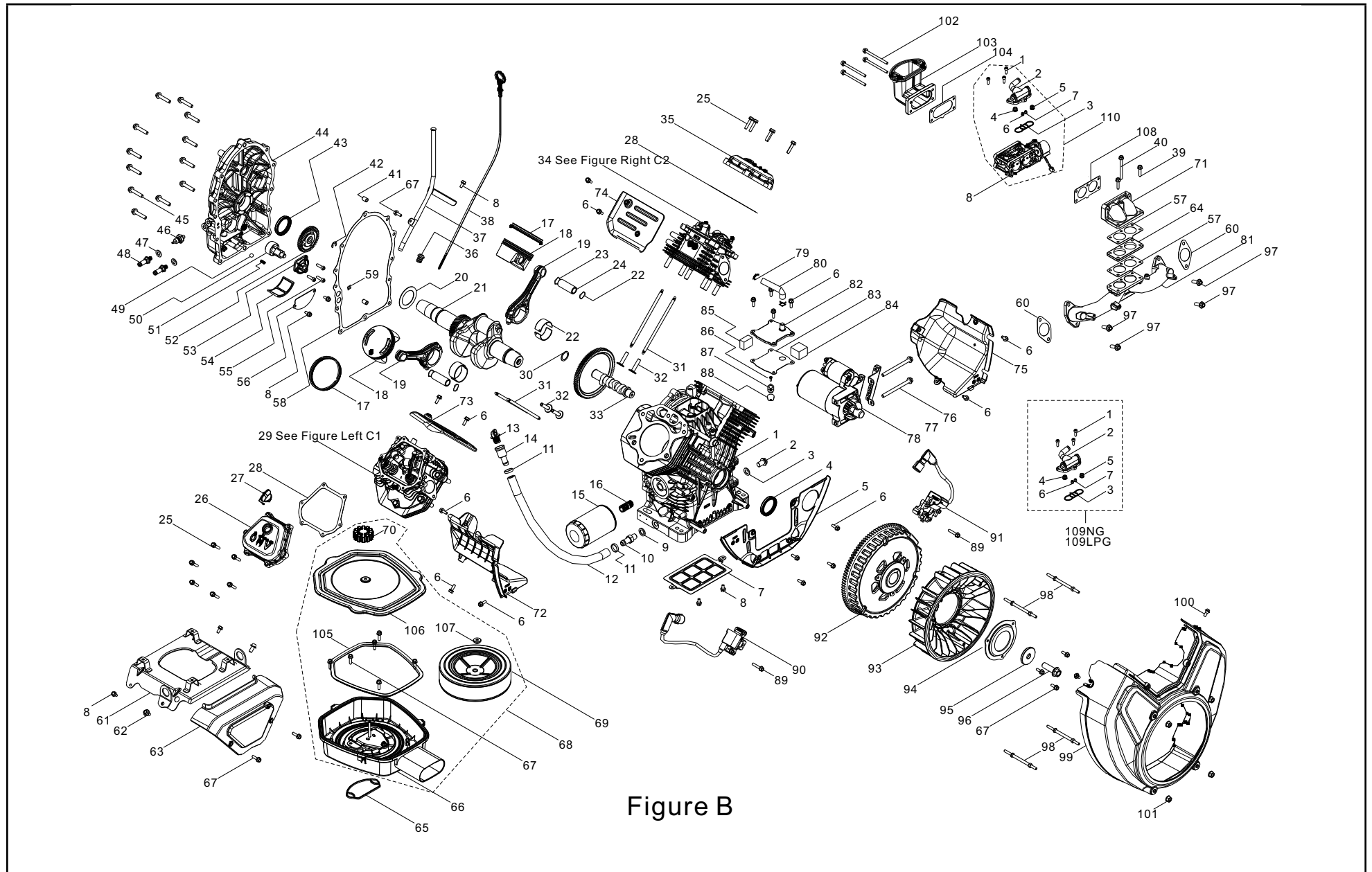


Figure B

ENGINE PARTS LIST

#	Part Number	Description	Qty.
1	11310-000036	Crankcase Assembly	1
2	11007-000003	Drain Plug Bolt, M12 x 1.5 x 18, Dacromet	1
3	90412-000003	Washer, Ø12 x Ø21 x 2	1
4	90682-000018	Oil Seal, Ø43 x Ø55 x 7	1
5	28118-000004	Crankcase Draught Block	1
6	90007-000011	Hex Flange Bolt, M6 x 16, Dacromet	17
7	22082-000001	Air Plate Base	1
8	90007-000007	Hex Flange Bolt, M6 x 12, Dacromet	7
9	90412-000007	Washer, Ø14.2 x Ø22.2 x 1.5	1
10	90689-000004	Fuel Tube Connector, M14 x 2	1
11	90685-000018	Clamp, Ø21 x 1.3 x 12	2
12	11011-000011	Oil Drain Hose Assembly, Ø13 x Ø21 x 400	1
13	15030-000001	Oil Plug Assembly	1
14	90689-000005	Fuel Tube Connector, M18 x 2.5	1
15	101766	Oil Filter	1
16	15208-000001	Oil Filter Mounting Pipe	1
17	13200-000015	Piston Ring Assembly	2
18	13111-000021	Piston	2
19	13010-000016	Connecting Rod	2
20	90408-000026	Flat Washer, Ø43.5 x Ø64 x 1	1
21	13300-000040	Crankshaft Assembly	1
22	13005-000001	Bearing Bushing, Ø42 x 21 x 1.5	4
23	13122-000002	Piston Pin Clip	4
24	13121-000005	Piston Pin	2
25	90007-000031	Hex Flange Bolt, M6 x 28, Dacromet	12
26	12411-000004	Cylinder Head Cover	1
27	15031-000003	Oil Plug Assembly	1
28	12004-000018	Cylinder Head Cover Gasket	2
29	96101-Z120410-0013	Left Cylinder Head Assembly - See Figure C1	1
30	90408-000027	Flat Washer, Ø20.3 x Ø30 x 1	1

#	Part Number	Description	Qty.
31	14070-000010	Valve Lifter	4
32	14081-000007	Valve Tappet	4
33	14200-000026	Camshaft Components	1
34	96101-Z120410-0014	Right Cylinder Head Assembly - See Figure C2	1
35	12411-000005	Cylinder Head Cover Assembly	1
36	15014-000002	Oil Dipstick Seal Plug	1
37	15020-000001	Oil Filler Pipe, Ø11 x 1	1
38	15010-000026	Oil Dipstick Assembly	1
39	90007-000016	Hex Flange Bolt, M6 x 25, Dacromet	2
40	90007-000020	Hex Flange Bolt, M6 x 65, Dacromet	1
41	90502-000006	Pin, 10 x 14	2
42	90575-000004	Split Washer	1
43	90682-000017	Oil Seal, Ø43 x Ø55 x 7	1
44	11410-000001	Crankcase Cover	1
45	90007-000022	Hex Flange Bolt, M8 x 40, Dacromet	12
46	15202-000001	Pressure Sensor	1
47	90408-000019	Flat Washer, Ø10 x Ø15.8 x 1.5	2
48	90689-000006	Fuel Tube Connector, M10 x 1	2
49	90543-000002	Steel Ball	1
50	15100-000002	Oil Pump Component	1
51	15161-000001	Pressure Reducing Valve Spring	1
52	15105-000001	Oil Pump Driven Gear	1
53	15141-000001	Oil Pump Cover	1
54	15211-000001	Oil Screen	1
55	90102-000005	Inside Hex Bolt, M6 x 16, White Zn	3
56	15214-000001	Oil Filter Cover	1
57	16004-000003	Heat Shield Gasket	2
58	11001-000013	Crankcase Gasket	1
59	90692-000001	O-shaped Rubber Seal Ring, Ø10.2x2.65	1

#	Part Number	Description	Qty.
60	17002-000007	Air Intake Gasket	2
61	17003-000014	Air Cleaner Support	1
62	90001-000040	Hex Flange Bolt, M8 x 16, Dacromet	2
63	30028-000002	Air Hood Guard Plate	1
64	16003-000019	Carburetor Insulator Plate	1
65	90681-000016	Seal Ring	1
66	17140-000001	Seat, Air Cleaner	1
	S/N:≤R2503120066		
	17140-000002		
	S/N:>R2503120066		
67	90007-000014	Hex Flange Bolt, M6 x 20, Dacromet	12
68	17100-000035	Air Cleaner	1
	S/N:≤R2503120066		
	17100-000037		
	S/N:>R2503120066		
69	17150-000006	Element, Air Cleaner	1
70	35643-000021	Knob	1
	S/N:>R2503120066		
71	12051-000002	Intake Pipe Joint, Mixer	1
72	19304-000011	Cylinder Body Shroud, Left	1
73	28118-000005	Crankcase Draught Block	1
74	28118-000006	Crankcase Draught Block 1	1
75	19304-000010	Cylinder Body Shroud	1
76	90001-000066	Hex Flange Bolt, M8 x 100, Dacromet	2
77	31303-000004	Terminal Block	1
78	30300-000009	Starter Motor	1
79	90685-000015	Clamp, Ø14 x 1	2
80	17004-000029	Breather Tube, Ø11 × Ø15	1
81	12510-000005	Intake Pipe	1
82	11333-000003	Breathing Tank Cover Plate	1
83	11332-000008	Breathing Tank Gasket	1
84	11331-000003	Breathing Tank Strainer, 47 x 40 x 6.5	1

#	Part Number	Description	Qty.
85	11331-000001	Breathing Tank Strainer, 29 x 17 x 16	1
86	90103-000003	Screw, M4 x 10, White Zn	1
87	12045-000002	Reed Valve Stop Plate	1
88	11321-000002	Respiratory Tablet	1
89	90007-000017	Hex Flange Bolt, M6 x 30, Dacromet	2
90	30400-000045	Left Ignition Coil	1
91	30400-000046	Right Ignition Coil	1
92	13500-000001	Flywheel Assembly	1
93	19352-000022	Cooling Fan, Engine	1
94	13515-000002	Fan Mounting Disc	1
95	90407-000001	Washer, Ø14.5 × Ø50 × 5, White Zn	1
96	13502-000001	Flywheel Bolt, M14 x 1.5 x 40	1
97	90001-000044	Hex Flange Bolt, M8 x 25, Dacromet	4
98	28001-000004	Double-Headed Support Bolt	4
99	19330-000003	Engine Shroud	1
100	90208-000006	Hex Step Bolt, M6X16, Dacromet	2
101	90305-000007	Hex Flange Nut, M6, Dacromet	4
102	90007-000027	Hex Flange Bolt, M6 x 80, Dacromet	4
103	17112-000003	Air Cleaner Connection Pipe	1
104	17001-000015	Air Cleaner Gasket	1
105	90014-000001	Cap Head Bolt	3
107	17156-000001	Washer, Air Cleaner Element	1
108	16001-000009	Mixer Gasket	1
109-NG	96105-Z16100-0028	Fuel Assembly, NG	1

#	Part Number	Description	Qty.	
NG	1	90014-000001	Screw, Fuel Inlet Body Set, M5 x 14	3
	2	94230-000005	Body Assembly, Fuel Inlet	1
	3	30214-000002	Gasket, Fuel Inlet Body	1
	4	16161-000102	Main Jet - Left, #750	1
	5	16161-000102	Main Jet - Right, #750	1
	6	16165-000003	Slow Jet - Left, #370	1
	7	16165-000003	Slow Jet - Right, #370	1
109-LPG	96105-Z16100-0029	Fuel Assembly LPG, Green Dot	1	
LPG	1	90014-000001	Screw, Fuel Inlet Body Set, M5 x 14	3
	2	94230-000006	Body Assembly, Fuel Inlet	1
	3	30214-000002	Gasket, Fuel Inlet Body	1
	4	16161-000100	Main Jet - Left, #500	1
	5	16161-000101	Main Jet - Right, #420	1
	6	16165-000001	Slow Jet - Left, #100	1
	7	16165-000002	Slow Jet - Right, #170	1
110-NG	16B00-000002	Carburetor Assembly, NG	1	
NG	1	90014-000001	Screw, Fuel Inlet Body Set, M5 x 14	3
	2	94230-000005	Body Assembly, Fuel Inlet	1
	3	30214-000002	Gasket, Fuel Inlet Body	1
	4	16161-000102	Main Jet - Left, #750	1
	5	16161-000102	Main Jet - Right, #750	1
	6	16165-000003	Slow Jet - Left, #370	1
	7	16165-000003	Slow Jet - Right, #370	1
	8	16141-000001	Carburetor Body	1
111	90681-000017	Cover, Air Cleaner Gasket	1	
	S/N: >R2503120066			
112	17104-000004	Cover, Air Cleaner	1	
	S/N: >R2503120066			

CYLINDER HEAD LEFT PARTS DIAGRAM

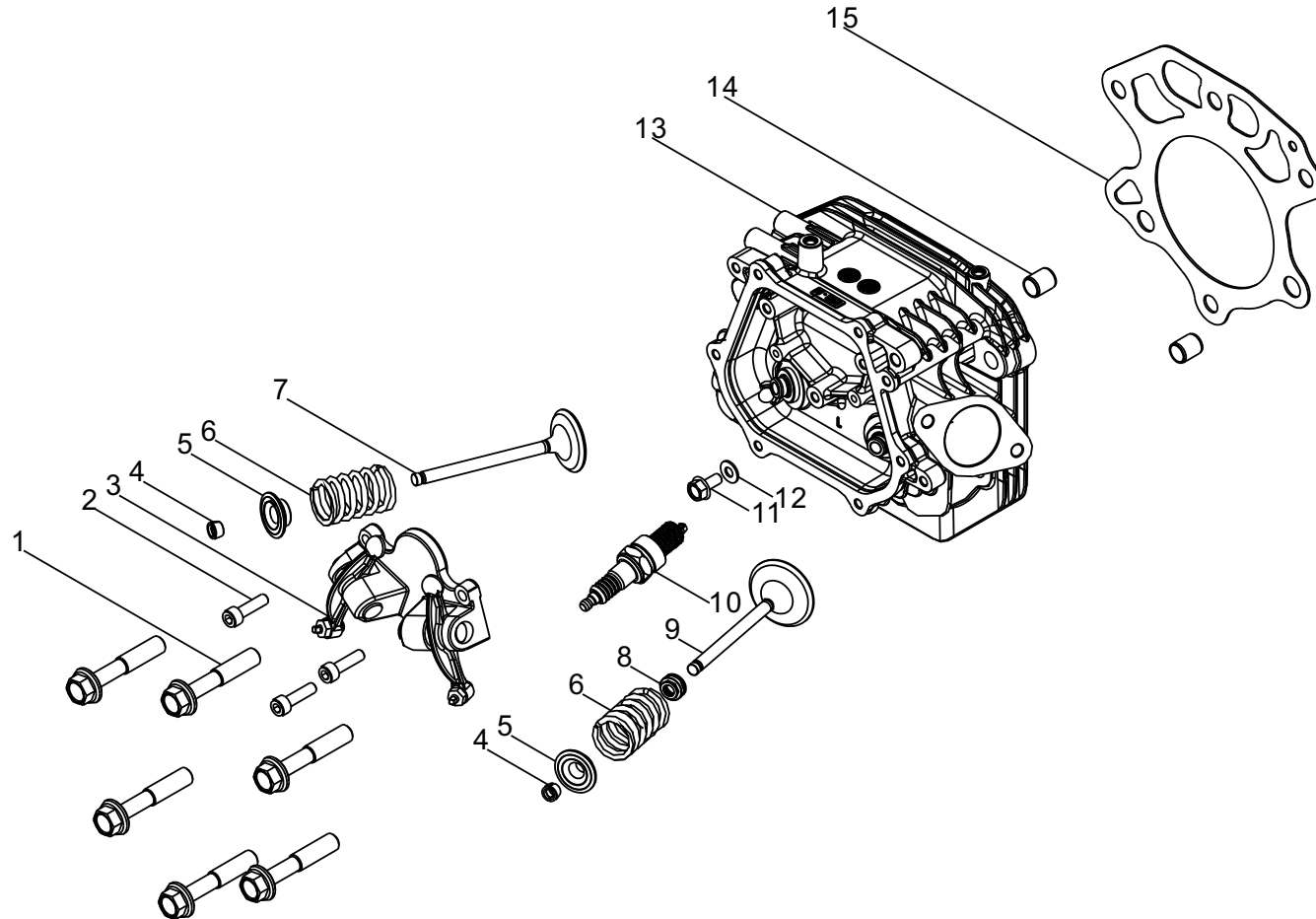


Figure C

CYLINDER HEAD LEFT PARTS LIST

#	Part Number	Description	Qty.
1	12003-000010	Cylinder Head Bolt, M10 x 55, White Zn	6
2	90102-000007	Inside Hex Bolt, M6 x 20, White Zn	3
3	14310-000012	Valve Rocker Arm	1
4	12109-000005	Valve Lock Clamp, Ø6.6 x Ø9.6	4
5	12112-000005	Valve Spring Retainer	2
6	12103-000004	Valve Spring, Ø23 x Ø3 x 44	2
7	12121-000016	Exhaust Valve	1
8	12101-000002	Seal Guide	1
9	12111-000014	Intake Valve	1
10	30010-000008	Spark Plug, RC12YC	1
11	90007-000007	Hexagon Flange Bolt, M6 x 12, Dacromet	1
12	90408-000028	Flat Washer, Ø6.5 x Ø13 x 1.5	1
13	12140-000035	Cylinder Head	1
14	90502-000010	Pin, Ø12 x 16	2
15	12131-000019	Cylinder Head Gasket	1

CYLINDER HEAD RIGHT PARTS DIAGRAM

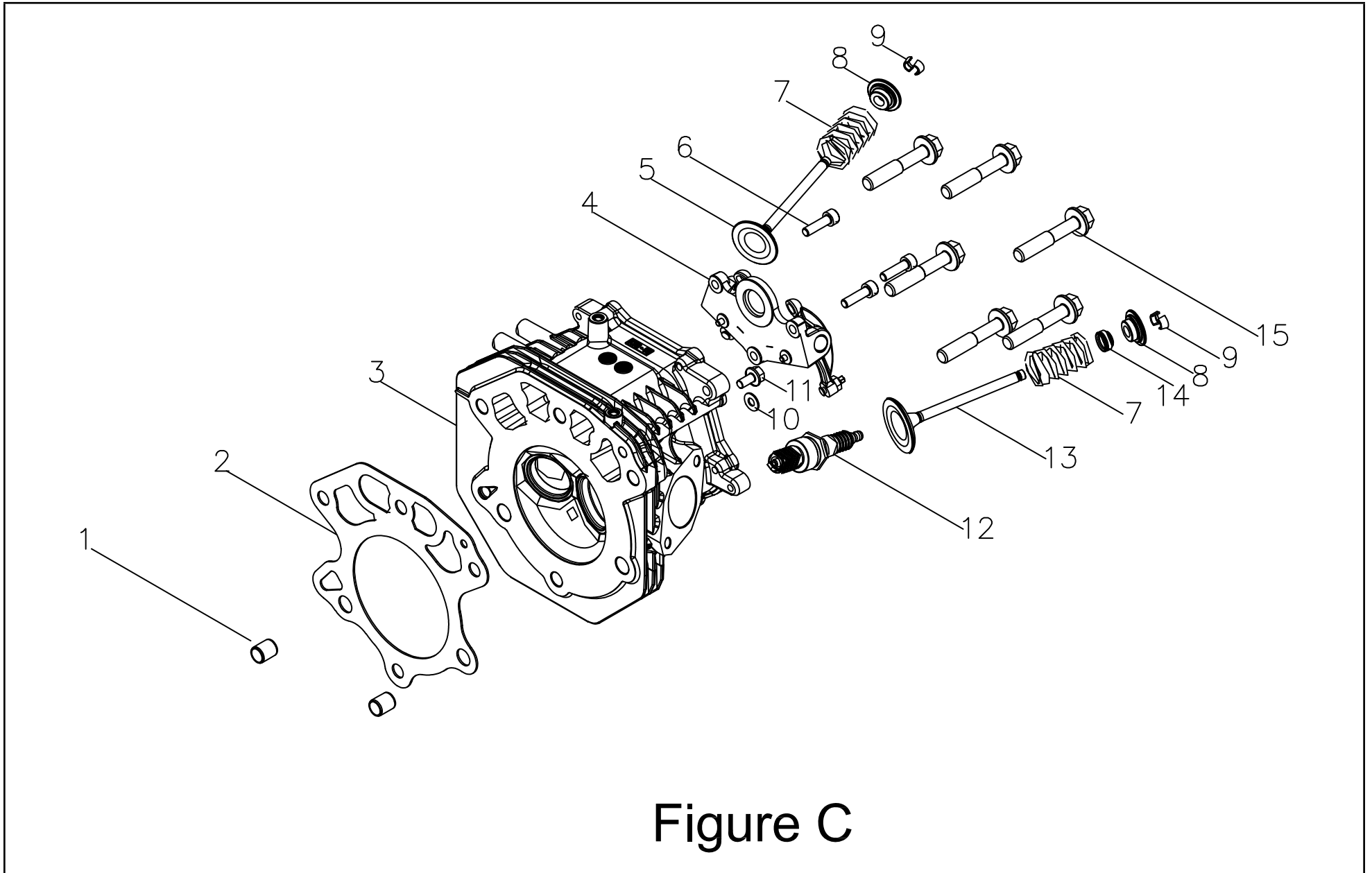


Figure C

CYLINDER HEAD RIGHT PARTS LIST

#	Part Number	Description	Qty.
1	90502-000010	Pin, Ø12 x 16	2
2	12131-000019	Cylinder Head Gasket	1
3	12140-000036	Cylinder Head	1
4	14310-000012	Valve Rocker Arm	1
5	12121-000016	Exhaust Valve	1
6	90102-000007	Inside Hex Bolt, M6 x 20, White Zn	3
7	12103-000004	Valve Spring, Ø23 x Ø3 x 44	2
8	12112-000005	Valve Spring Retainer	2
9	12109-000005	Valve Lock Clamp, Ø6.6 x Ø9.6	4
10	90408-000028	Flat Washer, Ø6.5 x Ø13 x 1.5	1
11	90007-000007	Hex Flange Bolt, M6 x 12, Dacromet	1
12	30010-000008	Spark Plug, RC12YC	1
13	12111-000014	Intake Valve	1
14	12101-000002	Seal Guide	1
15	12003-000010	Cylinder Head Bolt, M10 x 55, White Zn	6

SHELL PARTS DIAGRAM

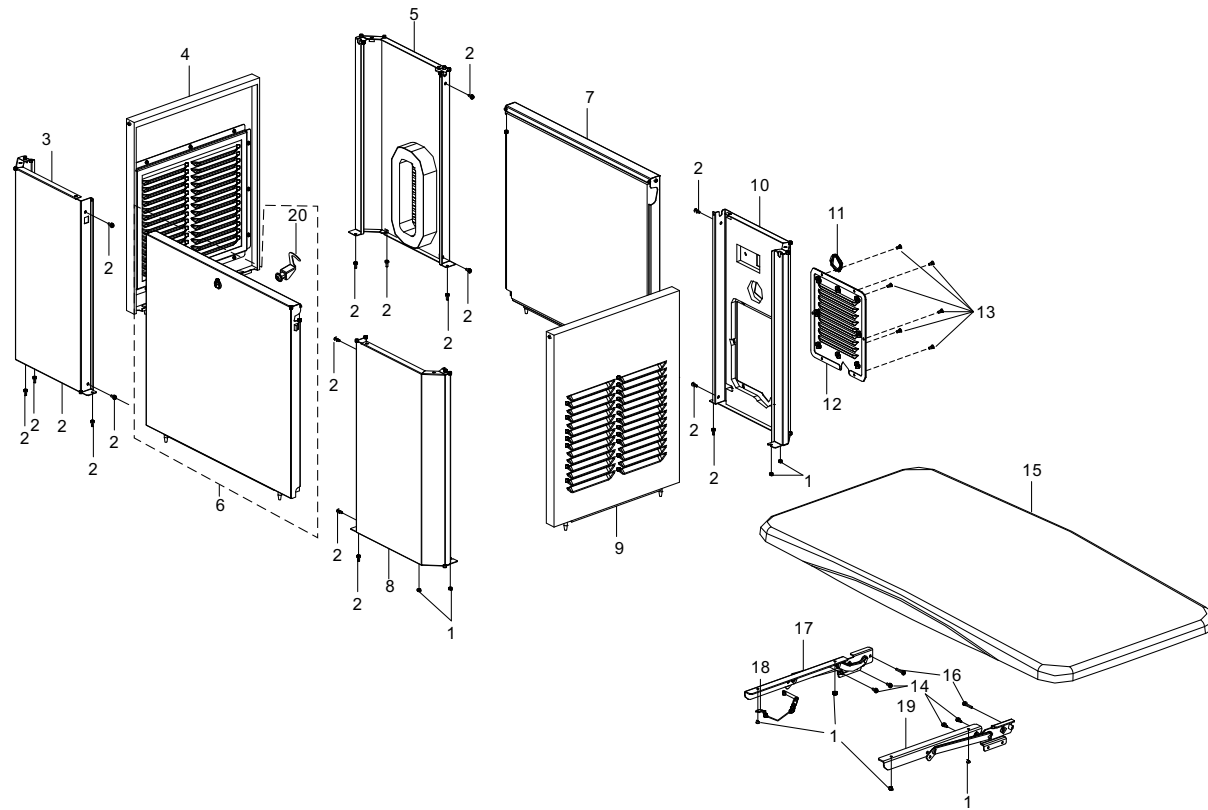


Figure D

SHELL PARTS LIST

#	Part Number	Description	Qty.
1	90305-000007	Hex Flange Nut, M6 x 8, Dacromet	8
2	90007-000007	Hex Flange Bolt, M6 x 12, Dacromet	16
3	51116-000005	Side Panel 1	1
4	80092-000039	Side Panel, Muffler	1
5	51116-000006	Side Panel 2	1
6	80094-000002	Front Panel	1
	S/N:≤R2503120066		
	80094-000003		
	S/N:>R2503120066		
7	80103-000002	Rear Panel	1
8	51116-000007	Side Panel 3	1
9	80096-000038	Side Panel, Electrical Components	1
10	51116-000008	Side Panel 4	1
11	90722-000024	End Cap	1
12	76021-000006	Air Guide Panel	1
13	90111-000002	Inside Hex Bolt, M6 x 12, Dacromet	6
14	90022-000002	Hex Flange Bolt with Tooth, M6 x 12, Dacromet	4
15	77001-000001	Top Cover	1
16	90022-000004	Hex Flange Bolt with Tooth, M6 x 30, Dacromet	2
17	51041-000003	Hinge 1, Top Cover	1
18	97003-000001	Pin Shaft & String	1
19	51041-000004	Hinge 2, Top Cover	1
20	93113-000001	Door Lock	1
	S/N:> R2503120066		

MUFFLER ASSEMBLY PART DIAGRAM

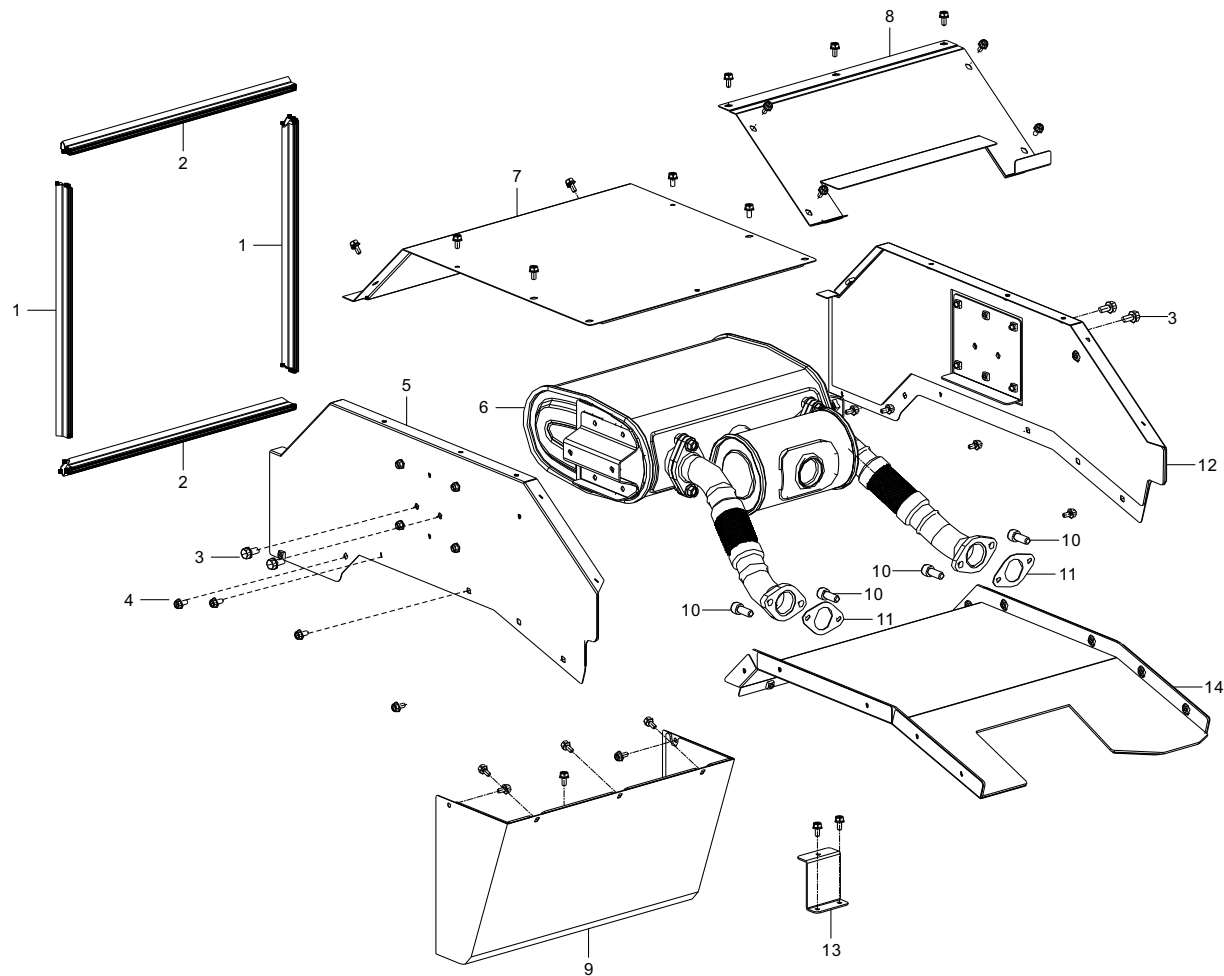


Figure E

MUFFLER ASSEMBLY PARTS LIST

#	Part Number	Description	Qty.
1	51198-000011	Sealing Strip 1	2
2	51198-000012	Sealing Strip 2	2
3	90001-000040	Hex Flange Bolt, M8 x 16, Dacromet	4
4	90022-000002	Toothed Hex Flange Bolt, M6 x 12, Dacromet	29
5	18109-000011	Muffler fairing, Left	1
6	18100-000052	Muffler	1
7	18109-000009	Muffler fairing, Top	1
8	18109-000014	Muffler fairing, Rear	1
9	18109-000006	Muffler fairing, Side	1
10	90102-000006	Inside Hex Bolt, M10 x 25, Dacromet	4
11	18001-000005	Exhaust Gasket 2, Muffler	2
12	18109-000012	Muffler fairing, Right	1
13	51168-000002	Mounting Bracket	1
14	18109-000010	Muffler fairing, Bottom	1

ALTERNATOR PARTS DIAGRAM

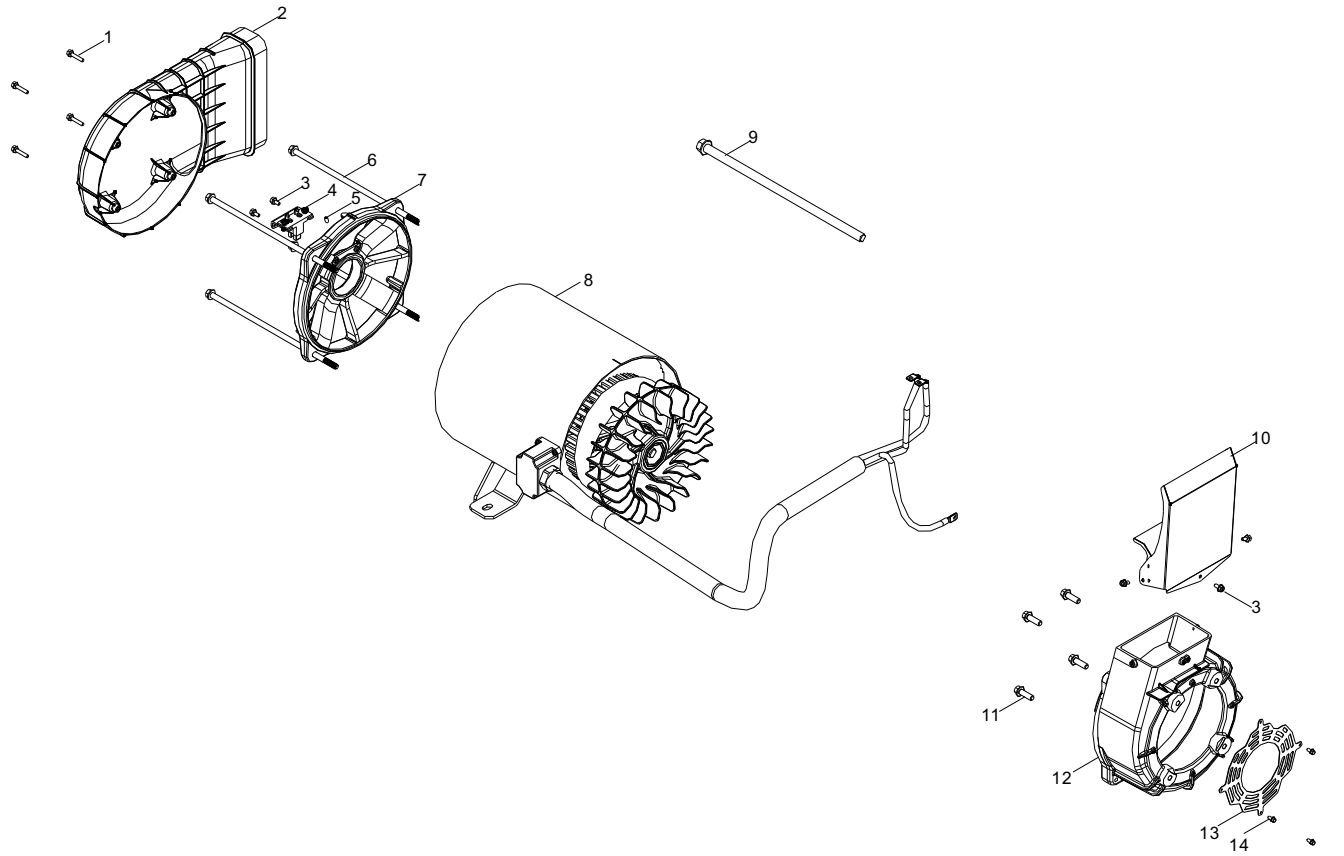


Figure F

ALTERNATOR PARTS LIST

#	Part Number	Description	Qty.
1	90022-000004	Toothed Hex Flange Bolt, M6 x 30, Dacromet	4
2	30022-000010	Cover, End Housing	1
3	90022-000002	Toothed Hex Flange Bolt, M6 x 12, Dacromet	5
4	31320-000007	Carbon Brush Assembly	1
5	90121-000001	Inside Hex Bolt, M6 x 12, Dacromet	1
6	30048-000007	Stator Bolt	4
7	30021-000006	End Housing	1
8	31300-000036	Alternator Assembly	1
9	30049-000007	Rotor Bolt	1
10	19313-000004	Wind Board	1
11	90001-000057	Hex Flange Bolt, M10 x 25, Dacromet	4
12	30031-000003	Front Housing	1
13	76021-000005	Protective Plate, Alternator	1
14	90001-000001	Hex Flange Bolt, M5 x 10, Dacromet	4

MOUNTING PLATE ASSEMBLY PARTS DIAGRAM

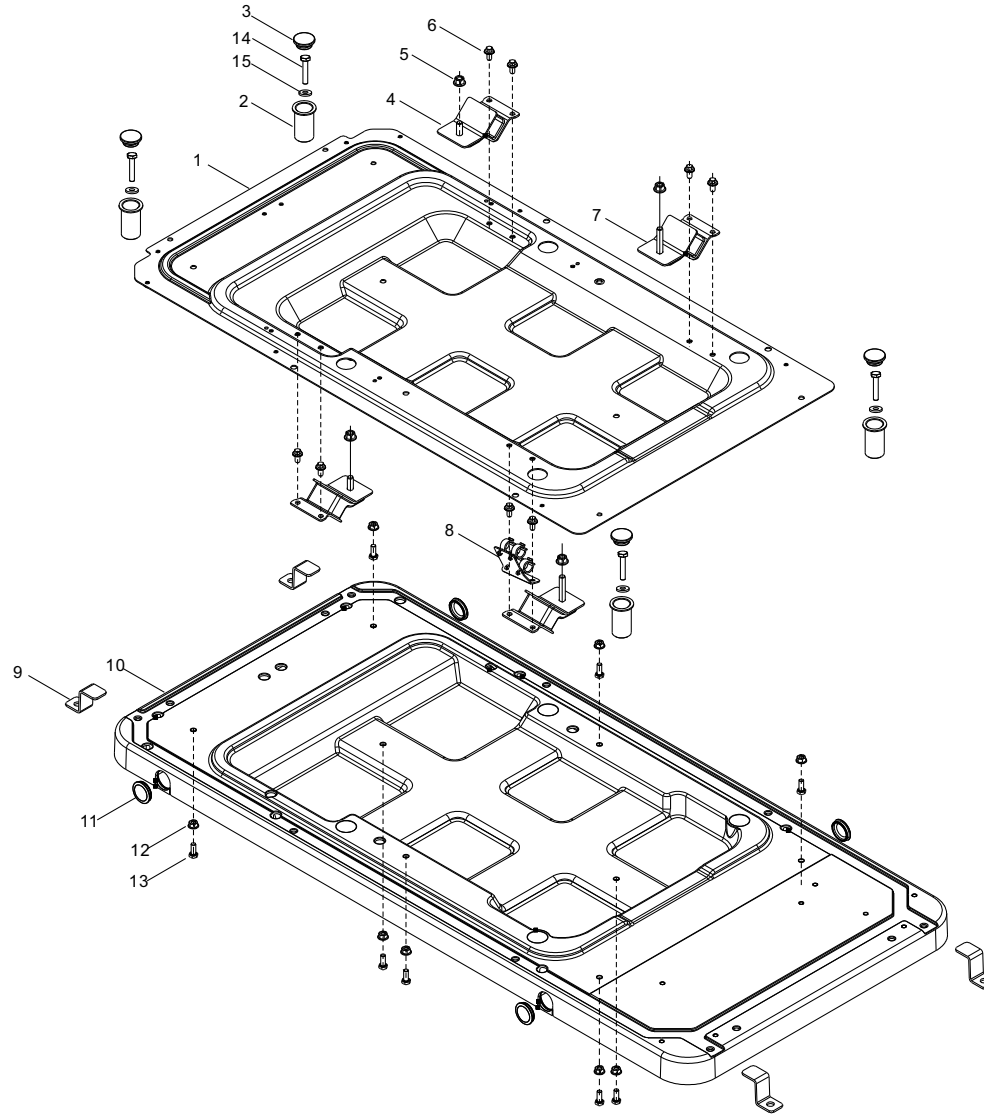


Figure G

MOUNTING PLATE ASSEMBLY PARTS LIST

#	Part Number	Description	Qty.
1	51140-000001	Base Plate	1
2	90683-000013	Bushing	4
3	90722-000021	End Cap	4
4	51005-000014	Vibration Mount 2, Frame	2
5	90305-000014	Hex Flange Nut, M10, Dacromet	4
6	90001-000040	Hex Flange Bolt, M8 x 16, Dacromet	8
7	51005-000013	Vibration Mount 1, Frame	2
8	51124-000025	Mounting Bracket 1	1
9	51124-000020	Mounting Bracket 2	4
10	78100-000001	Base Component	1
11	90722-000023	End Cap	4
12	90305-000012	Hex Flange Nut, M8, Dacromet	8
13	90005-000007	Hex Bolt, M8 x 20, Dacromet	8
14	90004-000001	Hex Flange Bolt, 3/8-16, Dacromet	4
15	16552-000001	Flat Washer, Ø10.5 x Ø25 x 3.5	4

FRAME PARTS DIAGRAM

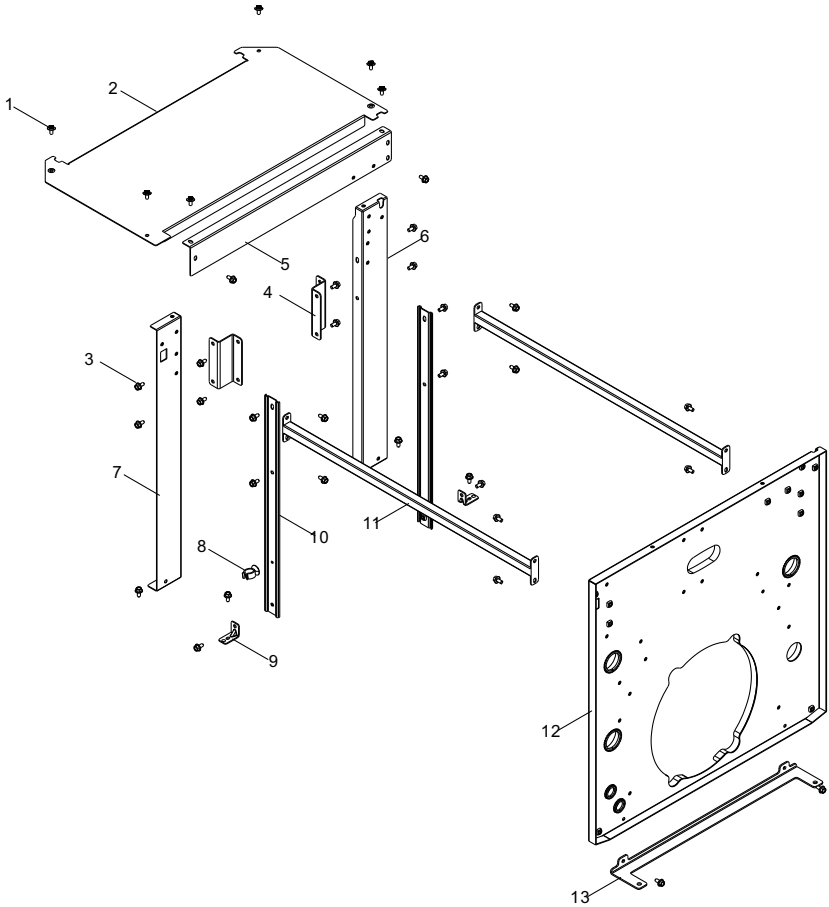


Figure H

FRAME PARTS LIST

#	Part Number	Description	Qty.
1	90111-000002	Inside Hex Bolt, M6 x 12, Dacromet	6
2	80093-000002	Decorative Plate	1
3	90022-000002	Toothed Hex Flange Bolt, M6 x 12, Dacromet	30
4	51124-000017	Mounting Bracket 2	2
5	51035-000004	Support 1	1
6	51035-000003	Support 2	1
7	51035-000002	Support 3	1
8	90684-000010	Clip, Ø17	1
9	51168-000001	Mounting Bracket 1	2
10	51035-000001	Support 4	2
11	51035-000007	Support 5	2
12	76021-000008	Mounting Plate	1
13	51035-000006	Support 6	1

OUTLET PANEL PARTS DIAGRAM

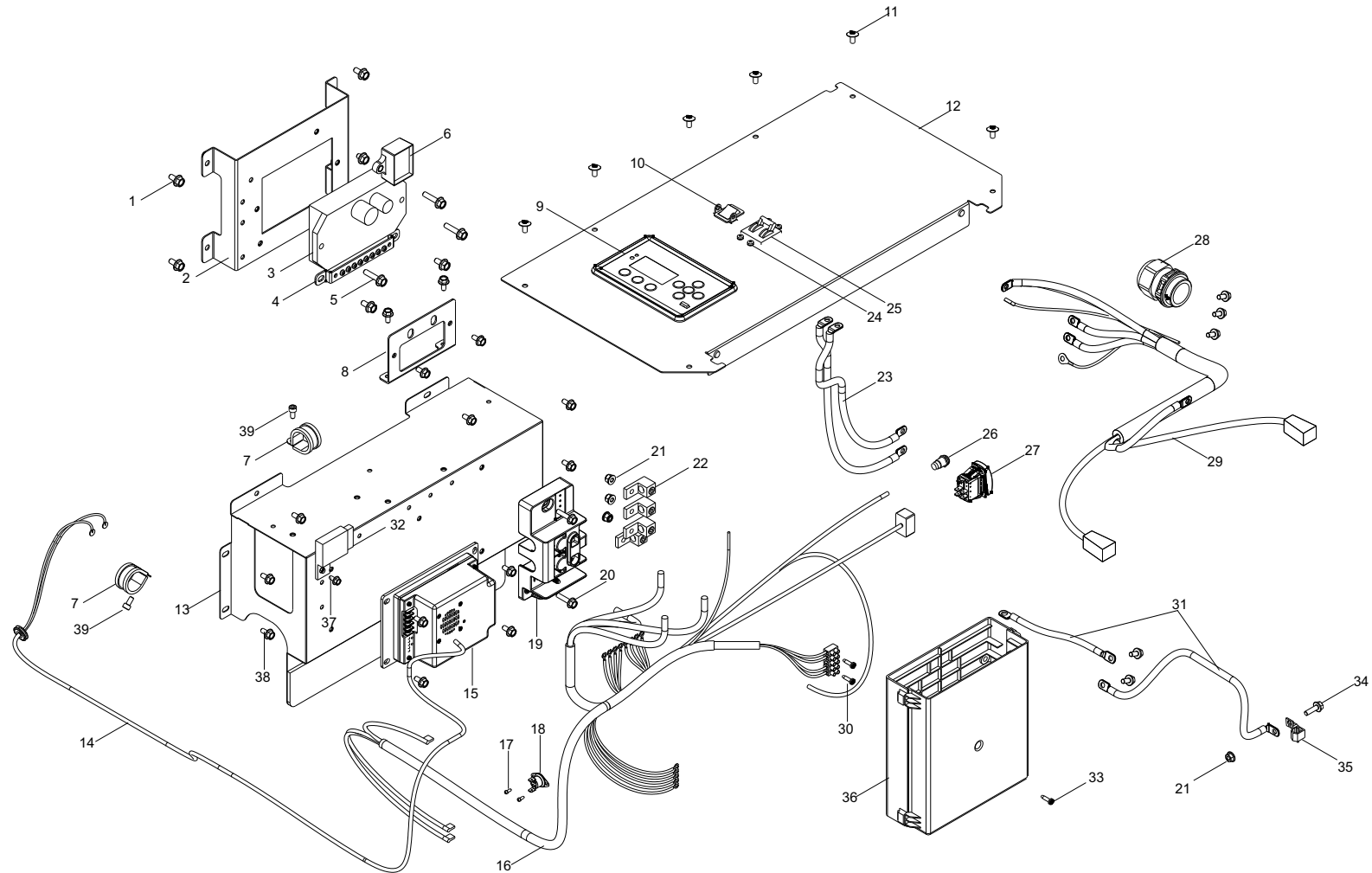


Figure 1

OUTLET PANEL PARTS LIST

#	Part Number	Description	Qty.
1	90022-000002	Toothed Hex Flange Bolt, M6 x 12, Dacromet	20
2	30361-000002	Control Box Mounting Bracket	1
3	30060-000022	AVR	1
4	31303-000007	Terminal Block	1
5	90007-000011	Hex Flange Bolt, M6 x 16, Dacromet	3
6	30008-000007	Control Module	1
7	90740-000013	Clamp	2
8	51124-000018	Mounting Bracket	1
9	35650-000040	flex Controller™	1
10	5.1050.016	Emergency Shutdown Switch (Interior)	1
11	90111-000002	Inside Hex screw, M6 x 12, Dacromet	6
12	80097-000002	Decorative Plate	1
13	76021-000007	Mounting Bracket, Charger	1
14	31326-000001	Wiring Harness, Carbon Brush	1
15	31155-000001	Battery Charger	1
16	35542-000002	Wiring Harness	1
17	90103-000016	Screw, M3 x 6, Dacromet	2
18	37009-000001	Temperature Sensor	1
19	31303-000006	Terminal Block	1
20	90022-000003	Toothed Hex Flange Bolt, M6 x 25, Dacromet	2
21	90305-000007	Hex Flange Nut, M6, Dacromet	4
22	31306-000001	Terminal	4
23	90805-000002	Connecting Wires	1
24	90254-000003	Screw & Washer Assembly, M3 x 8, Dacromet	4
25	35627-000008	DPDT Flip Circuit Breaker, 100A, UL	1
26	90803-000002	Indicator Light	1
27	5.1040.015	Emergency Shutdown Switch (Exterior)	1
28	35543-000001	Harness Jacket	1
29	31112-000017	DC Wire Harness, Battery	1
30	90107-000011	Screw, ST2.5 x 16, Dacromet	2

#	Part Number	Description	Qty.
31	30009-000023	Ground Wire	1
32	90721-000002	Fuse, 35A	1
33	90107-000013	Self Tapping Screw, ST3.5 x 13, Dacromet	1
34	90022-000004	Toothed Hex Flange Bolt, M6 x 12	1
35	35629-000003	Ground Terminal Assembly	1
36	35230-000001	Breaker Shield	1
37	90001-000001	Hex Flange Bolt, M5 x 10, Dacromet	1
38	90007-000007	Hex Flange Bolt, M6 x 12, Dacromet	6
39	90102-000008	Inside Hex Bolt, M6 x 12, Dacromet	2

WIRING DIAGRAM

