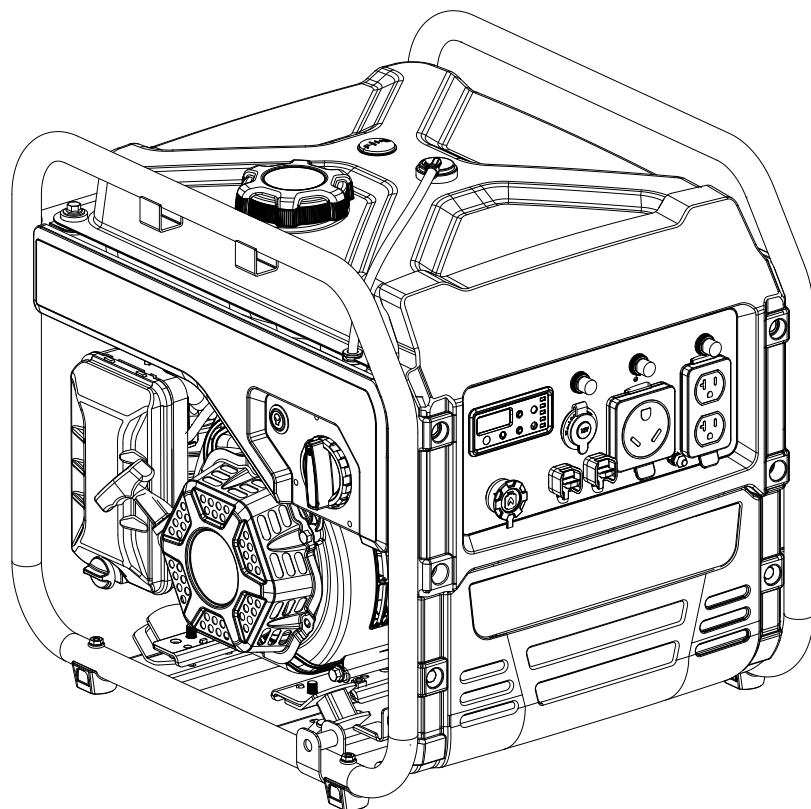




Champion Power Equipment, Inc.

MODEL #201321



PARTS INFORMATION

4500W DUAL FUEL OPEN FRAME INVERTER

SERIAL NUMBER RANGE: ALL



To order replacement parts please visit:
shop.championpowerequipment.com
or call **1-877-338-0999**.

TABLE OF CONTENTS

Inverter Parts Diagram	3
Inverter Parts List	4
Engine Parts Diagram	6
Engine Parts List	7
Cylinder Head Parts Diagram	9
Cylinder Head Parts List	10
Carburetor Parts Diagram	11
Carburetor Parts List	12
Fuel Tank Parts Diagram	13
Fuel Tank Parts List	14
Control Panel Parts Diagram	15
Control Panel Parts List	16
Frame Assembly Parts Diagram	17
Frame Assembly Parts List	18
Wiring Diagram	19

INVERTER PARTS DIAGRAM

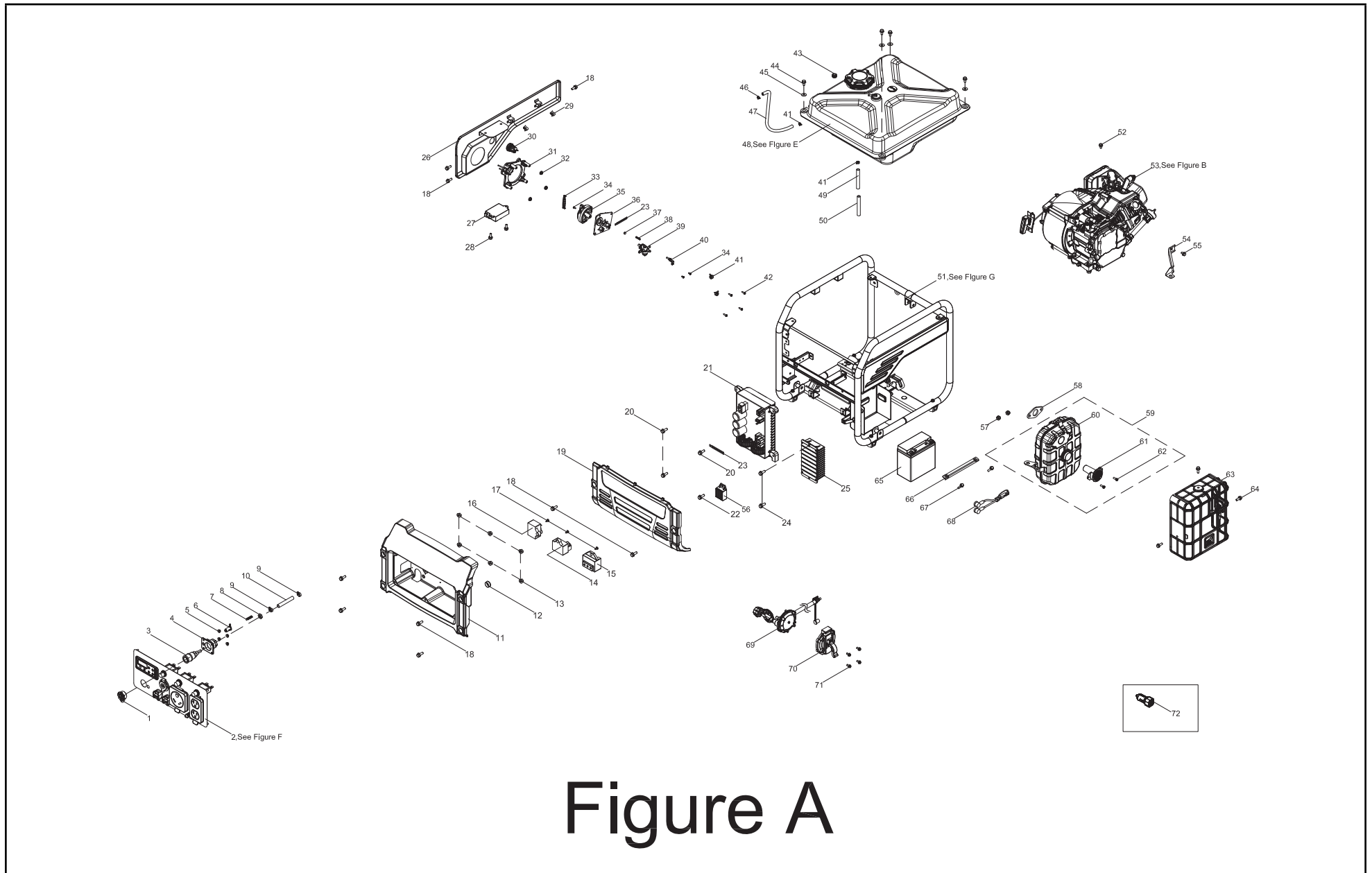


Figure A

INVERTER PARTS LIST

#	Part Number	Description	Qty.
1	100158478	Protector Cover, Quick Connector	1
2	100778630	Panel Assembly, See Figure F	1
3	100715707	Self-locking Quick Connector, Female	1
4	100157218	Mounting Seat, Self-locking Quick Connector	1
5	100011065-0002	Flange Nut M4	4
6	100157217	Sliding Block, Mounting Seat	1
7	100157221	Spring, Mounting Seat	1
8	100160807	Nut M10	1
9	100159468-0001	Clamp, Fuel Hose	2
10	100714026	Gas Hose	1
11	100750899-0001	Protect Panel	1
12	100727080	Wire Clip	1
13	100011450-0003	Flange Nut M4	6
14	100124562-0001	Charger	1
15	100750675	Ignition Module	1
16	100715460	Fuel Solenoid Valve Controller	1
17	100765973-0001	Self-tapping Screw ST4.2 x 16	3
18	100011264-0002	Flange Bolt M6 x 16	9
19	100142007-0003	Protective Cover, Inverter Module	1
20	100011268-0003	Flange Bolt M6 x 25, GB5789	3
21	100778634	Inverter Module, 120V 60Hz	1
22	100011270-0002	Flange Bolt M6 x 30	1
23	100000655	Wire Clip B	2
24	100011263-0002	Bolt, M6x15	2
25	100778633	Electric Starter	1
26	100796749-0001	Appearance Panel, Left	1
27	5.1830.022	CO Alarm	1
28	100011251-0002	Bolt, M5x16	2
29	100000672	Clip	2
30	100811410	Push-Button Start	1

#	Part Number	Description	Qty.
31	100812645	Transfer Switch Seat	1
32	100011451-0006	Flange Nut M5, GB6177.1	3
33	100712234	Fuel Switch Cover	1
34	100031845-0002	Screw ST4 x 12	3
35	100808915	Fuel Switch Lever	1
36	100725109	Mounting Seat, Fuel Switch	1
37	100725112	Slide Block, Fuel Switch	1
38	100725111	Fuel Switch Spring	1
39	100725107	Fuel Switch	1
40	100725113	Fuel Switch Stopper	1
41	100005148	Clamp Ø8	4
42	100032963-0003	Self-tapping Screw ST3.5 x 13	4
43	100009075	Sheath, Vent Tube	1
44	100011267-0002	Flange Bolt M6 x 22	4
45	100010437-0001	Washer Ø6.5 x 1.5 x Ø18.2	4
46	100090871	Clamp	1
47	100731512	Fuel Hose	1
48	100816094	Fuel Tank Assembly, See Figure E	1
49	100754063	Fuel Tube	1
50	100726675	Fuel Hose Jacket	1
51	100816092	Frame Assembly - See Figure C	1
52	100011260-0005	Bolt, M6x10	1
53	1ZC7DCV21	Engine, 224 cc, See Figure B	1
54	100158476	Holder, Air Cleaner	1
55	100011570-0001	Bolt, M6x12	1
56	100765371	Rectifier Bridge, Capacitance	1
57	100011422-0004	Flange Nut M8, GB6170	2
58	100058175	Gasket, Muffler, Graphite	1
59	100151975	Muffler Subassembly	1
60	100151976	Muffler	1

#	Part Number	Description	Qty.
61	100154368	Spark Arrester Assembly	1
62	100718327	Mounting Bolt, Spark Arrester	2
63	100142015-0001	Muffler Cover	1
64	100097575-0002	Flange Bolt M6 x 10, QC340	3
65	100122390-0002	Battery	1
66	100021372-0005	Binder Plate	1
67	100011269-0003	Bolt, M6x28	2
68	100750829	Battery Connecting Wire	1
69	100715708-0001	LPG Hose with Regulator	1
70	100715007	Mounting Cover, Gas Pressure Valve	1
71	100011570-0007	Flange Bolt M6 x 12	4
72	100155005-0002	12VDC USB Adapter	1

ENGINE PARTS DIAGRAM

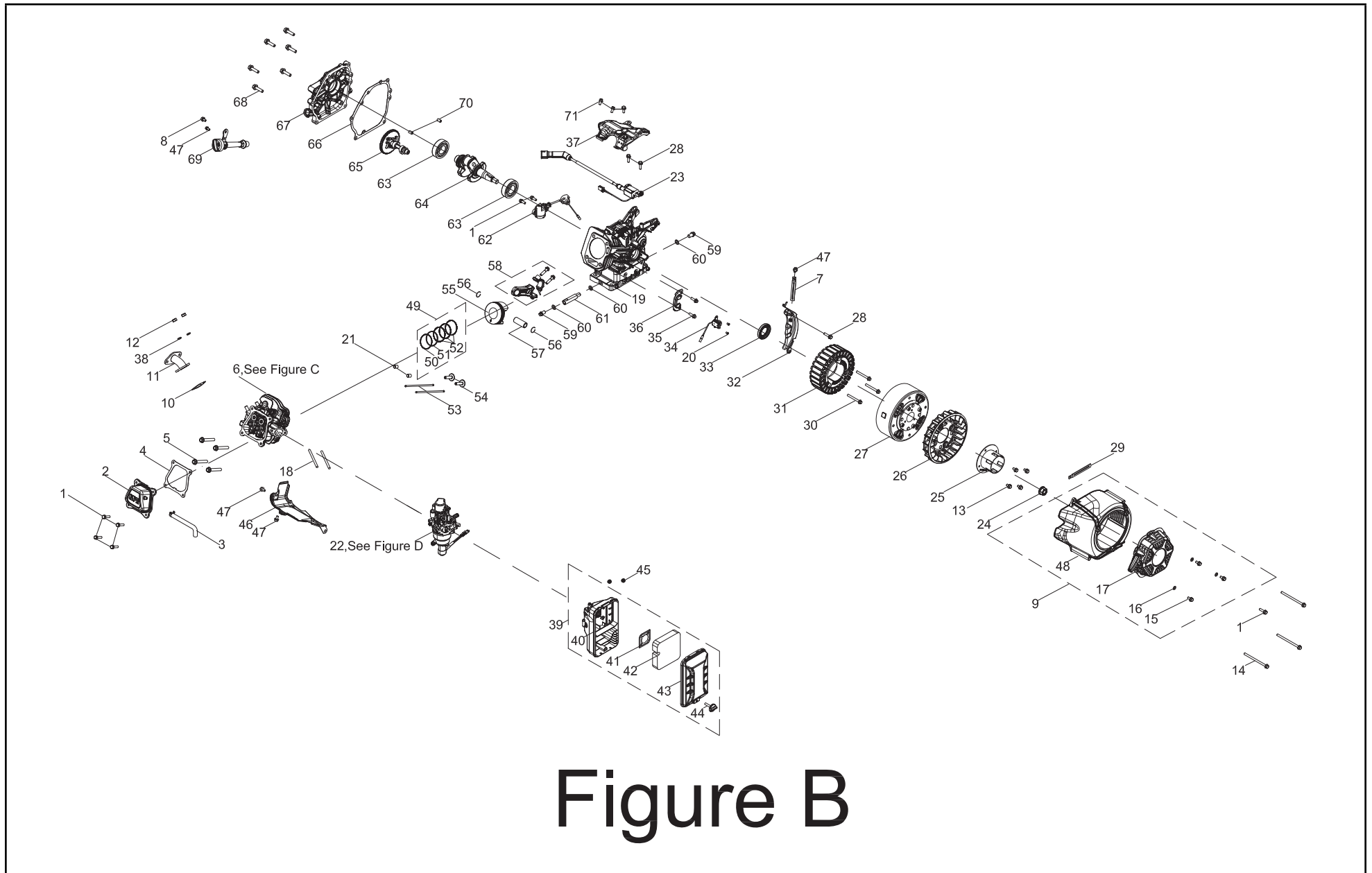


Figure B

ENGINE PARTS LIST

#	Part Number	Description	Qty.
1	100011264-0003	Flange Bolt M6 x 16, GB5789	7
2	100002335	Cylinder Head Cover(Cpe)	1
3	100719261	Breather Tube	1
4	100066138	Gasket, Cylinder Head Cover	1
5	100002464-0001	Flange Bolt M8 x 60	4
6	100723697	Cylinder Head Assembly, See Figure C	1
7	100062546	Wire Clip B 1	1
8	100011263-0002	Flange Bolt M6 x 15	1
9	100153289-0003	Recoil Starter	1
10	100006526	Gasket, Muffler	1
11	100142016	Exhaust Pipe	1
12	100011422-0004	Flange Nut M8, GB6170	2
13	100011581-0001	Flange Bolt M6 x 14	4
14	100011284-0003	Flange Bolt M6 x 100	3
15	100011565-0001	Flange Bolt M6 x 10, GB16674.1	3
16	100010894-0001	Washer Ø6	3
17	100156547-0004	Recoil Starter	1
18	100061091	Stud Bolt M6 x 98	2
19	100781205	Crankcase	1
20	100051029-0004	Screw M4 x 6	2
21	100010558	Dowel Pin Ø10 x 16	2
22	100815842	Carburetor Assembly, See Figure D	1
23	100163601	Ignition Coil	1
24	100011459-0003	Flange Nut M14 x 1.5	1
25	100087581	Pulley, Starter	1
26	100087582	Fan, Engine Cooling	1
27	100126953	Rotor Assembly, Permanent Magneto, Ø180 x 64 mm	1
28	100011266-0004	Flange Bolt M6 x 20	3
29	100000655	Wire Clip B	1

#	Part Number	Description	Qty.
30	100011540-0007	Flange Bolt M6 x 50	3
31	100751058	Stator Assembly	1
32	100130948	Lower Guard	1
33	100017644	Oil Seal Ø25 x Ø41.25 x 6	1
34	100163602	Trigger	1
35	100055591-0007	Flange Bolt M6 x 12, GB16674	2
36	100122099	Bracket, Trigger	1
37	100781115	Control Assembly	1
38	100010887-0004	Spring Washer Ø8	2
39	100720605	Air Cleaner Assembly	1
40	100724315	Air Cleaner Base	1
41	100005078	Air Cleaner Baffle	1
42	100004771	Air Cleaner Element	1
43	100717012	Air Cleaner Cover	1
44	100004949	Air Cleaner Bolt	1
45	100011463-0002	Flange Nut M6	2
46	100774802	Air Guide, Lower	1
47	100011260-0005	Flange Bolt M6 x 10	4
48	100128650-0001	Fan Cover	1
49	100003243	Piston Ring Set	1
50	100072134	1st Piston Ring	1
51	100072135	2nd Piston Ring	1
52	100072136	Oil Ring	1
53	100149269	Push Rod	2
54	100149234	Lifter, Valve	2
55	100003086	Piston	1
56	100003221	Circlip, Wrist Pin	2
57	100003123	Wrist Pin	1
58	100003446	Connecting Rod	1
59	100010272	Drain Bolt, M10 x 1.25 x 15	2

#	Part Number	Description	Qty.
60	100010459	Washer Ø10 x 1.5 x Ø16	3
61	100002910-0001	Oil Drain Pipe	1
62	100163603	Oil Level Sensor	1
63	100010761	Bearing, TM6205	2
64	100126476	Crankshaft	1
65	100099599	Camshaft	1
66	100010148	Gasket, Crankcase Cover	1
67	100128008	Cover, Crankcase	1
68	100011319-0001	Flange Bolt M8 x 32	6
69	100152738-0001	Oil Dipstick Assembly	1
70	100010550	Dowel Pin Ø8 x 14	2
71	100011215-0001	Flange Bolt M6 x 12	3

CYLINDER HEAD PARTS DIAGRAM

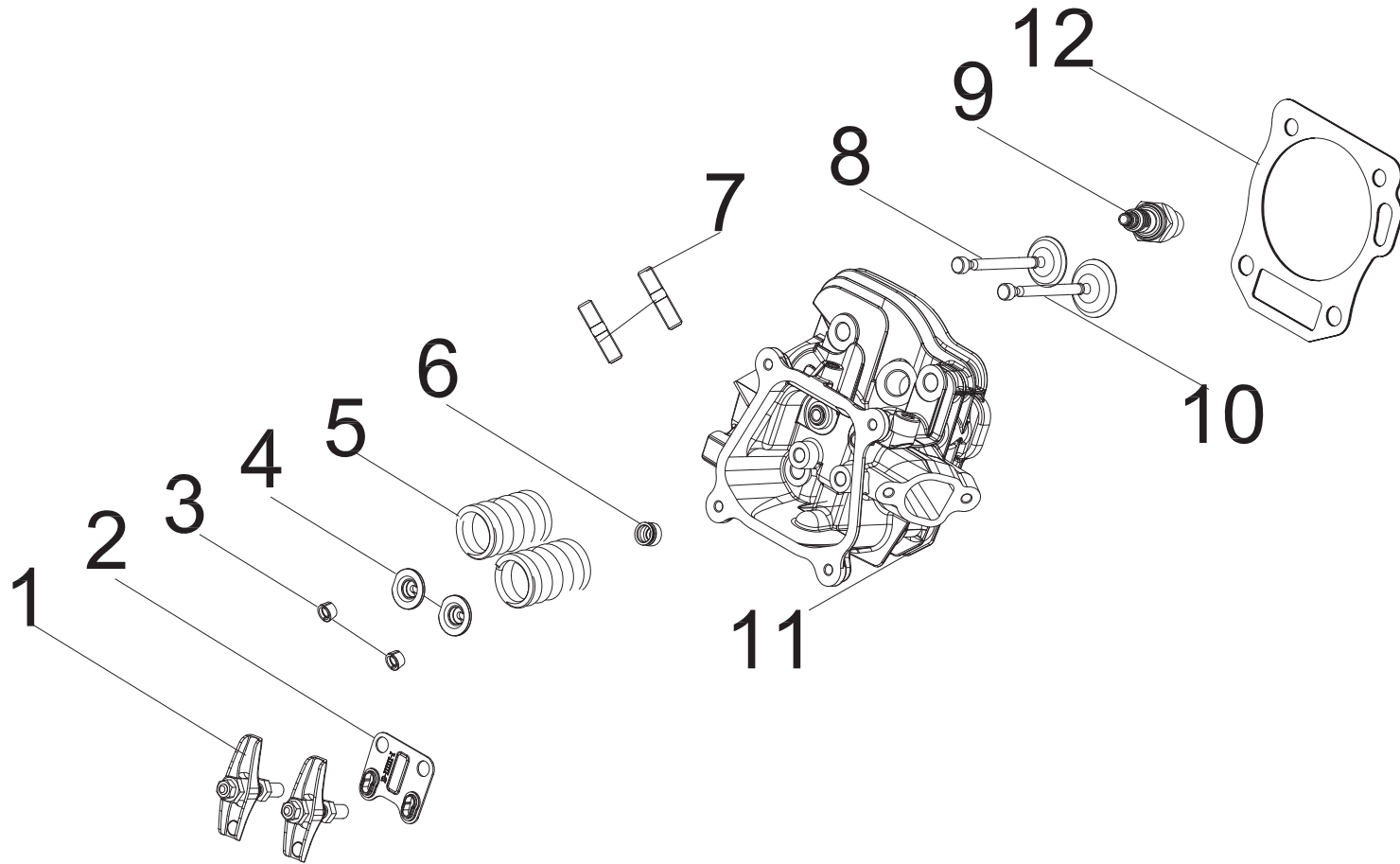


Figure C

CYLINDER HEAD PARTS LIST

#	Part Number	Description	Qty.
1	100149239	Rocker Arm Assembly	2
2	100050881	Guide Plate, Push Rod	1
3	100050896	Valve Collet	4
4	100073758	Valve Spring Seat, Upper	2
5	100713979	Spring, Valve	2
6	100004599	Oil Seal, Intake Valve	1
7	100010387	Stud Bolt M8 x 34	2
8	100713981	Exhaust Valve	1
9	100009378	Spark Plug F6RTC	1
10	100713980	Intake Valve	1
11	100716398	Cylinder Head	1
12	100155656	Gasket, Cylinder Head	1

CARBURETOR PARTS DIAGRAM

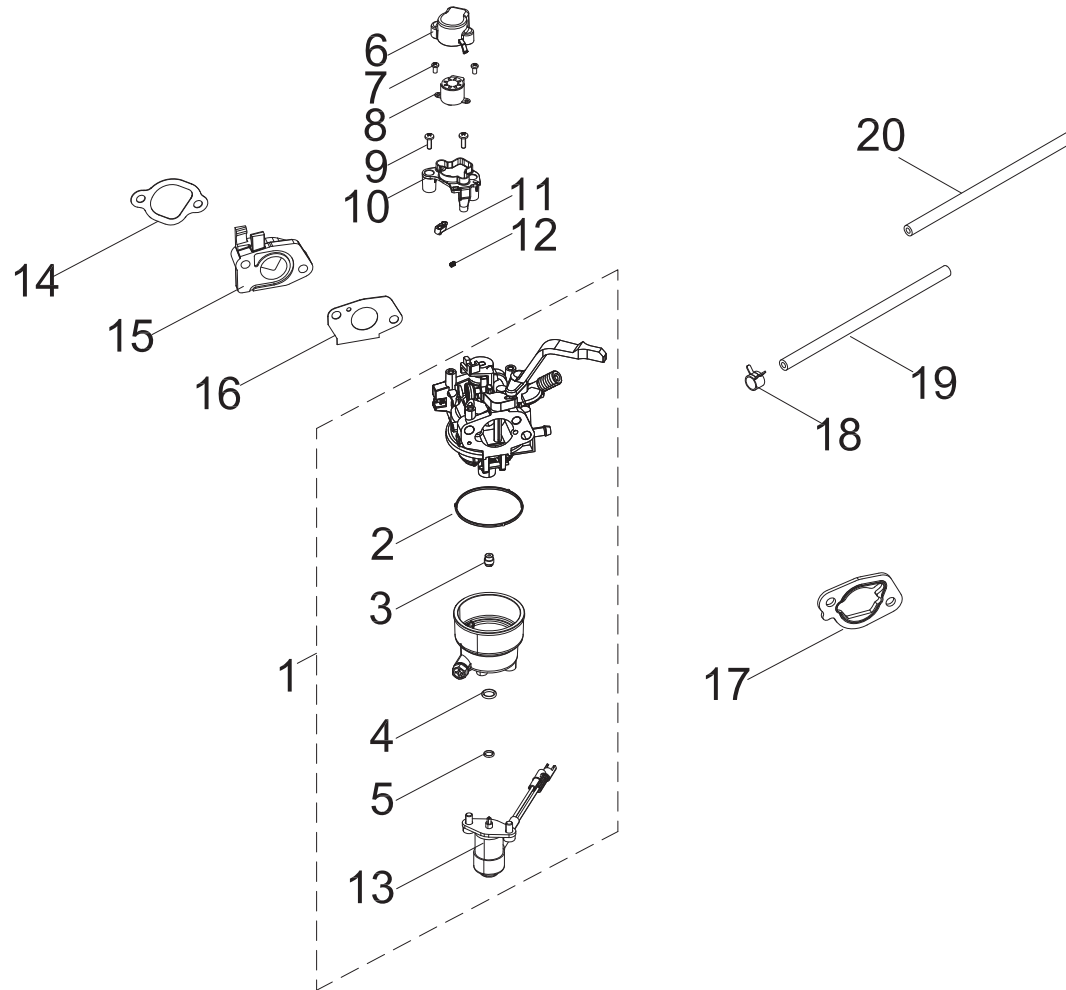


Figure D

CARBURETOR PARTS LIST

#	Part Number	Description	Qty.
1	100814150-0001	Carburetor	1
2	100005721	O-Ring, Fuel Bowl	1
3	100088943	Main Jet Standard (76)	1
	100817838	Main Jet Altitude 1000-3000m (74)	/
4	100134226	O-Ring, Solenoid Valve Base	1
5	100134227	O-Ring, Solenoid Valve	1
6	100050035	Protection Cover, Stepping Motor	1
7	100051029-0004	Screw M4 x 6	2
8	100093486	Stepping Motor	1
9	100010947-0001	Screw M4 x 12	2
10	100030062	Stepping Motor Seat	1
11	100033258	Clamp, Stepping Motor Guide	1
12	100052405	Spring	1
13	100817983	Solenoid Valve	1
14	100078607	Gasket, Insulator	1
15	100122101	Insulator, Carburetor	1
16	100078606	Gasket 1, Carburetor	1
17	100005629	Gasket, Carburetor	1
18	100005149	Clamp	1
19	100754064	Fuel Pipe	1
20	100735043	Fuel Hose Jacket	1

FUEL TANK PARTS DIAGRAM

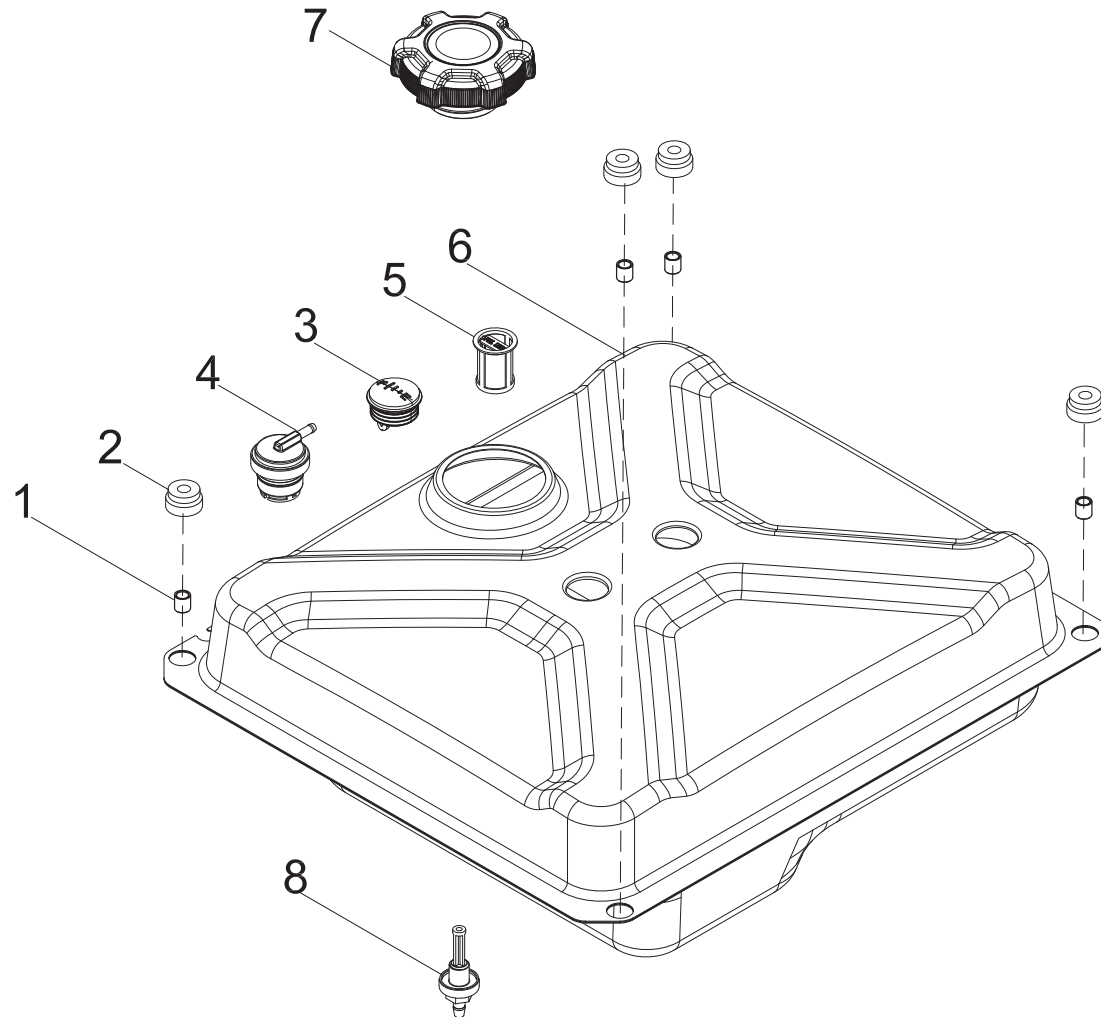


Figure E

FUEL TANK PARTS LIST

#	Part Number	Description	Qty.
1	100715500	Bushing, Ø9 x Ø6.6 x 10	4
2	100711813	Vibration Mounting, Fuel Tank	4
3	100153185	Fuel Gauge	1
4	100099571	Reversal Valve	1
5	100098838	Fuel Filter Assembly	1
6	100756918-0001	Fuel Tank	1
7	100142004	Fuel Tank Cap	1
8	100714546	Fitting, Fuel Tank	1

CONTROL PANEL PARTS DIAGRAM

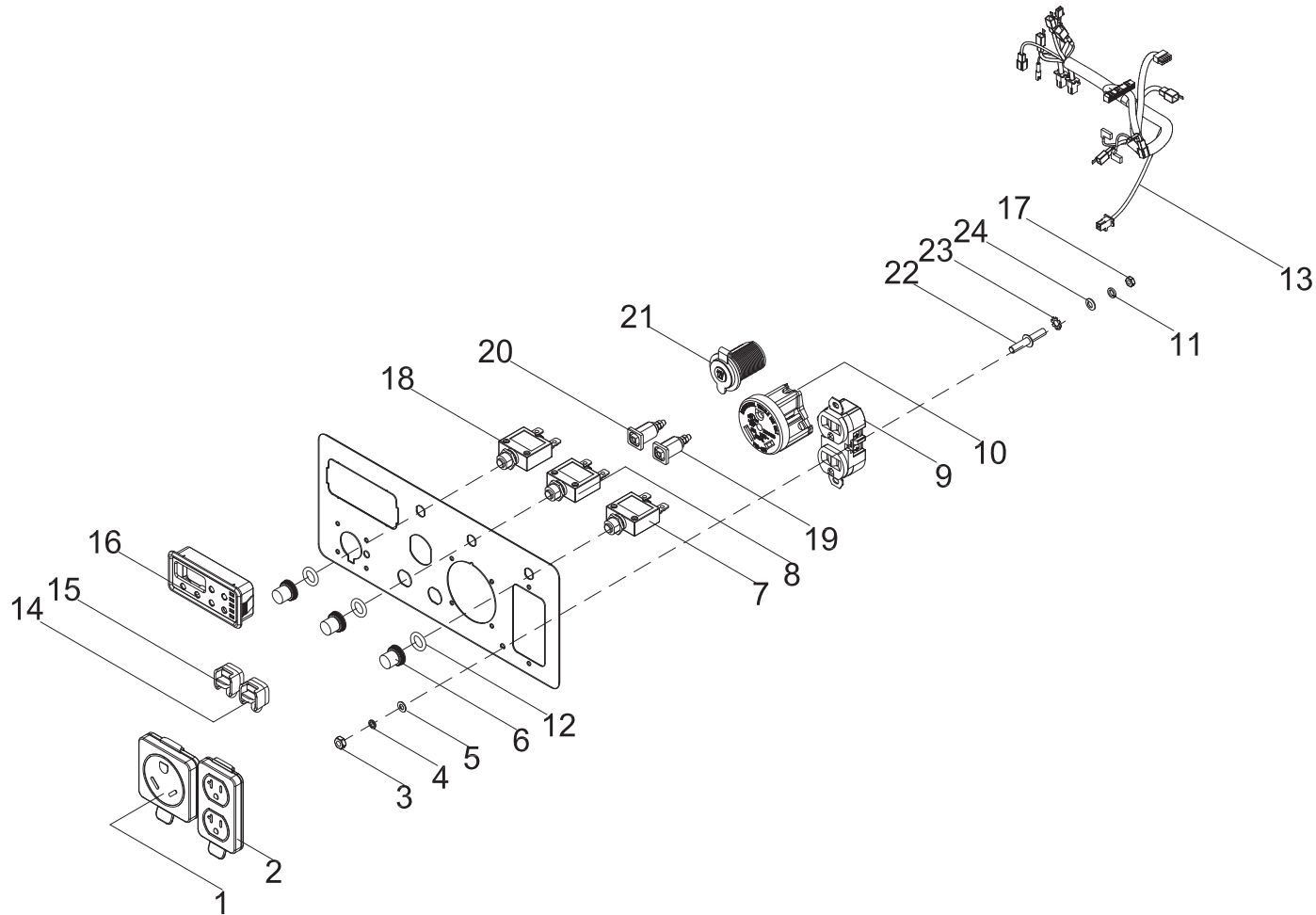


Figure F

CONTROL PANEL PARTS LIST

#	Part Number	Description	Qty.
1	100731572	Receptacle Cover, TT-30R	1
2	100731575	Receptacle Cover, 5-20R, Duplex	1
3	100011421-0002	Flange Nut M6, GB6170	1
4	100010886-0002	Spring Washer Ø6	1
5	100010910-0002	Washer Ø6	1
6	100120180	Cover, Circuit Breaker	3
7	100019747	20Amp Circuit Breaker, Push Button	1
8	100019756	30Amp Circuit Breaker, Push Button	1
9	100020029	Receptacle 5-20R, Duplex	1
10	100020008	Receptacle TT-30R	1
11	100010885-0003	Spring Washer Ø5	1
12	100031552	O-Ring	3
13	100778632	Wire Harness Assembly	1
14	100735685-0002	Cover, Parallel Outlet Socket, Black	1
15	100735685-0001	Cover, Parallel Outlet Socket, Red	1
16	100731288	Intelligauge	1
17	100011419-0003	Flange Nut M5	1
18	100057719	8Amp Circuit Breaker, Push Button	1
19	100746006-0002	Parallel Outlet Socket, Black	1
20	100746006-0001	Parallel Outlet Socket, Red	1
21	100019782	Receptacle, 12 VDC	1
22	100092320-0002	Grounding Stud	1
23	100011025-0001	Lock Washer Ø6, Toothed	1
24	100010919-0001	Washer Ø5	1

FRAME ASSEMBLY PARTS DIAGRAM

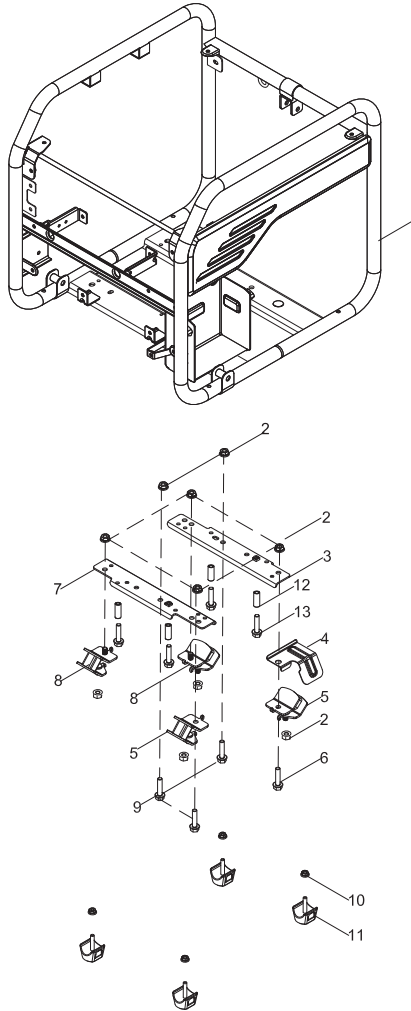


Figure G

FRAME ASSEMBLY PARTS LIST

#	Part Number	Description	Qty.
1	100796717-0001	Frame	1
2	100079483-0001	Flange Nut M8	10
3	100796532	Front Mounting Bracket, Engine	1
4	100162980	Insulator shield	1
5	100093523	Vibration Mount 2, Support	2
6	100011327-0001	Flange Bolt M8 x 43	1
7	100796533	Rear Mounting Bracket, Engine	1
8	100093524	Vibration Mount 1, Support	2
9	100011320-0002	Bolt M8 x 35	3
10	100011452-0002	Nut M6	4
11	100093522	Damping Pad	4
12	100004221-0001	Bush	4
13	100011224-0002	Bolt M6 x 35	4

WIRING DIAGRAM

