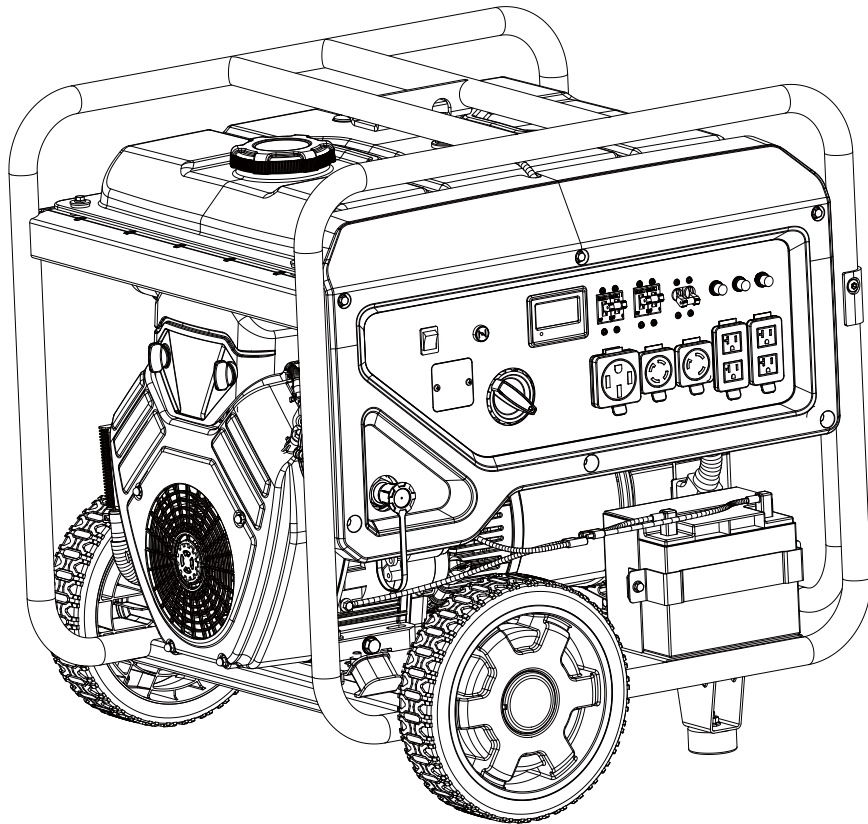


Champion Power Equipment, Inc.

**MODEL #201241**



## **PARTS INFORMATION**

**13,500W TRI-FUEL ELECTRIC START GENERATOR**

**SERIAL NUMBER RANGE: ALL**



To order replacement parts please visit:  
**[shop.championpowerequipment.com](http://shop.championpowerequipment.com)**  
or call **1-877-338-0999**.

## **TABLE OF CONTENTS**

<b>Generator Parts Diagram</b> .....	<b>3</b>
<b>Generator Parts List</b> .....	<b>4</b>
<b>Engine Parts Diagram</b> .....	<b>5</b>
<b>Engine Parts List</b> .....	<b>6</b>
<b>Cylinder Head 1 Parts Diagram</b> .....	<b>9</b>
<b>Cylinder Head 1 Parts List</b> .....	<b>10</b>
<b>Cylinder Head 2 Parts Diagram</b> .....	<b>11</b>
<b>Cylinder Head 2 Parts List</b> .....	<b>12</b>
<b>Carburetor Parts Diagram</b> .....	<b>13</b>
<b>Carburetor Parts List</b> .....	<b>14</b>
<b>Alternator Parts Diagram</b> .....	<b>15</b>
<b>Alternator Parts List</b> .....	<b>16</b>
<b>Fuel Tank Parts Diagram</b> .....	<b>17</b>
<b>Fuel Tank Parts List</b> .....	<b>18</b>
<b>Control Panel Parts Diagram</b> .....	<b>19</b>
<b>Control Panel Parts List</b> .....	<b>20</b>
<b>Frame Assembly Parts Diagram</b> .....	<b>21</b>
<b>Frame Assembly Parts List</b> .....	<b>22</b>
<b>Wiring Diagram</b> .....	<b>23</b>

# GENERATOR PARTS DIAGRAM

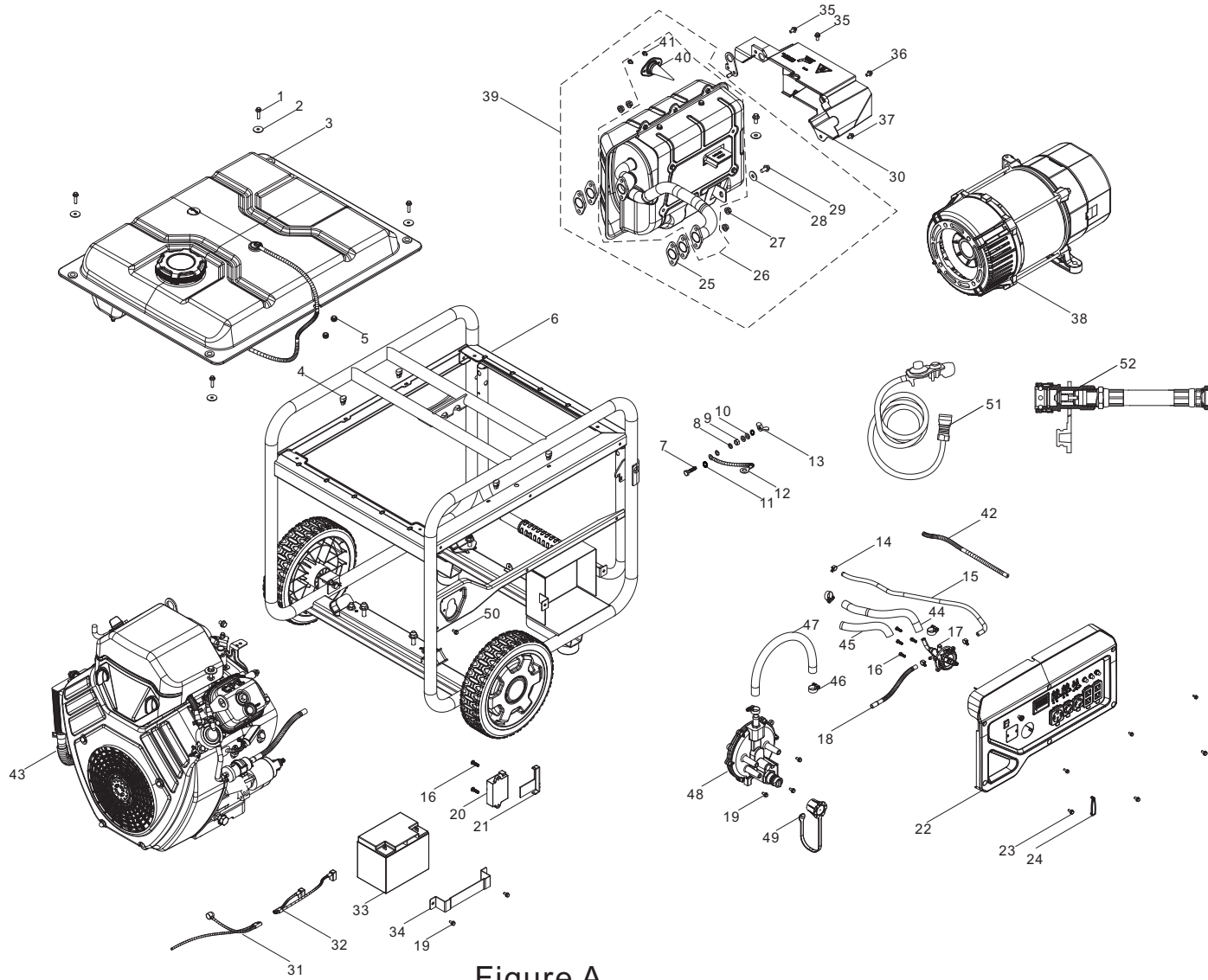


Figure A

**GENERATOR PARTS LIST**

#	Part Number	Description	Qty.
1	90007-000024	Hex Flange Bolt 1, M6 x 25, Blk Zn	4
2	90408-000008	Flat Washer, 6.2 x 25 x 2, Blk Zn	4
3	96104-Y16620-0035	Fuel Tank Assy - See Figure F	1
4	16602-000002	Vibration Mount, Fuel Tank, 18 x Ø6 x 11	4
5	90698-000001	Protective Rubber Sleeve	2
6	96103-Y51100-0042	Frame Assy - See Figure H	1
7	90001-000027	Hex Flange Bolt 2, M6 x 25, Blk Zn	1
8	90403-000003	Spring Washer, Ø6, Blk Zn	2
9	90303-000003	Hex Nut, M6, Blk Zn	1
10	90408-000006	Flat Washer, Ø6, Blk Zn	3
11	90415-000001	Lock Washer, Ø6, Toothed, Blk Zn	1
12	30009-000026	Grounding Wire	1
13	90312-000001	Wing Nut, M6, Blk Zn	1
14	90685-000023	Clamp, Ø10.0 x 8 x 0.8, Dacromet	3
15	90686-000073	Tube, Ø6 x Ø10 x 572	1
16	90124-000003	Tapping Screw, PT5 x 16	6
17	16750-000034	Fuel Valve Assy	1
18	90686-000070	Tube, Ø6 x Ø10 x 177	1
19	90001-000019	Hex Flange Bolt 1, M6 x 12, Blk Zn	5
20	35720-000003	Co Alarm	1
21	30351-000003	Cover, Co Alarm	1
22	35610-000190	Control Panel Assy - See Figure G	1
23	90001-000023	Hex Flange Bolt 1, M6 x 16, Blk Zn	6
24	82007-000008	Decorative Covers	1
25	18001-000004	Exhaust Outlet Gasket	4
26	18100-000058	Muffler	1
27	90314-000004	Hex Nut, M8 x 23.5, White Zn	4
28	90408-000034	Flat Washer, 8.3 x 23 x 3, Blk Zn	2
29	90001-000043	Hex Flange Bolt, M8 x 20, Blk Zn	2
30	28110-000049	Shroud	1

#	Part Number	Description	Qty.
31	31114-000015	DC Wire Harness, Engine	1
32	31112-000018	DC Wire Harness, Battery	1
33	31110-000009	Battery, 12V/35Ah, 196 x 131 x 159	1
34	31142-000004	Clamp, Battery	1
35	90007-000008	Hex Flange Bolt 2, M6 x 12, Blk Zn	2
36	90001-000041	Hex Flange Bolt, M8 x 16, Blk Zn	1
37	90007-000012	Hex Flange Bolt 2, M6 x 16, Blk Zn	1
38	96114-Y31300-0027	Alternator Assy - See Figure E	1
39	96117-Y18100-0005	Muffler Assembly	1
40	18250-000015	Spark Arrestor	1
41	90001-000070	Hex Flange Bolt, M5 x 8, White Zn	2
42	30431-000035	Rubber Sleeve, Ø13 x Ø11.5 x 430	1
43	96100-R740DT00-01	Engine - See Figure B	1
44	90729-000025	Hose, Ø12.7 x Ø21.7 x 260	1
45	30431-000039	Rubber Sleeve,, Ø25 x Ø26.5 x 300	1
46	90748-000003	Clamp, 12-22	4
47	90729-000027	Hose, Ø12.7 x Ø21.7 x 340	1
48	77100-000021	LPG Regulator	1
49	16287-000003	Dust Cap	1
50	90208-000008	Hex Step Bolt, M5 x 14, Blk Zn	1
51	77300-000009	LPG Hose with Regulator	1
52	90729-000026	Natural Gas Hose & Adapter, Ø19.5 x Ø28 x 7600	1

# ENGINE PARTS DIAGRAM

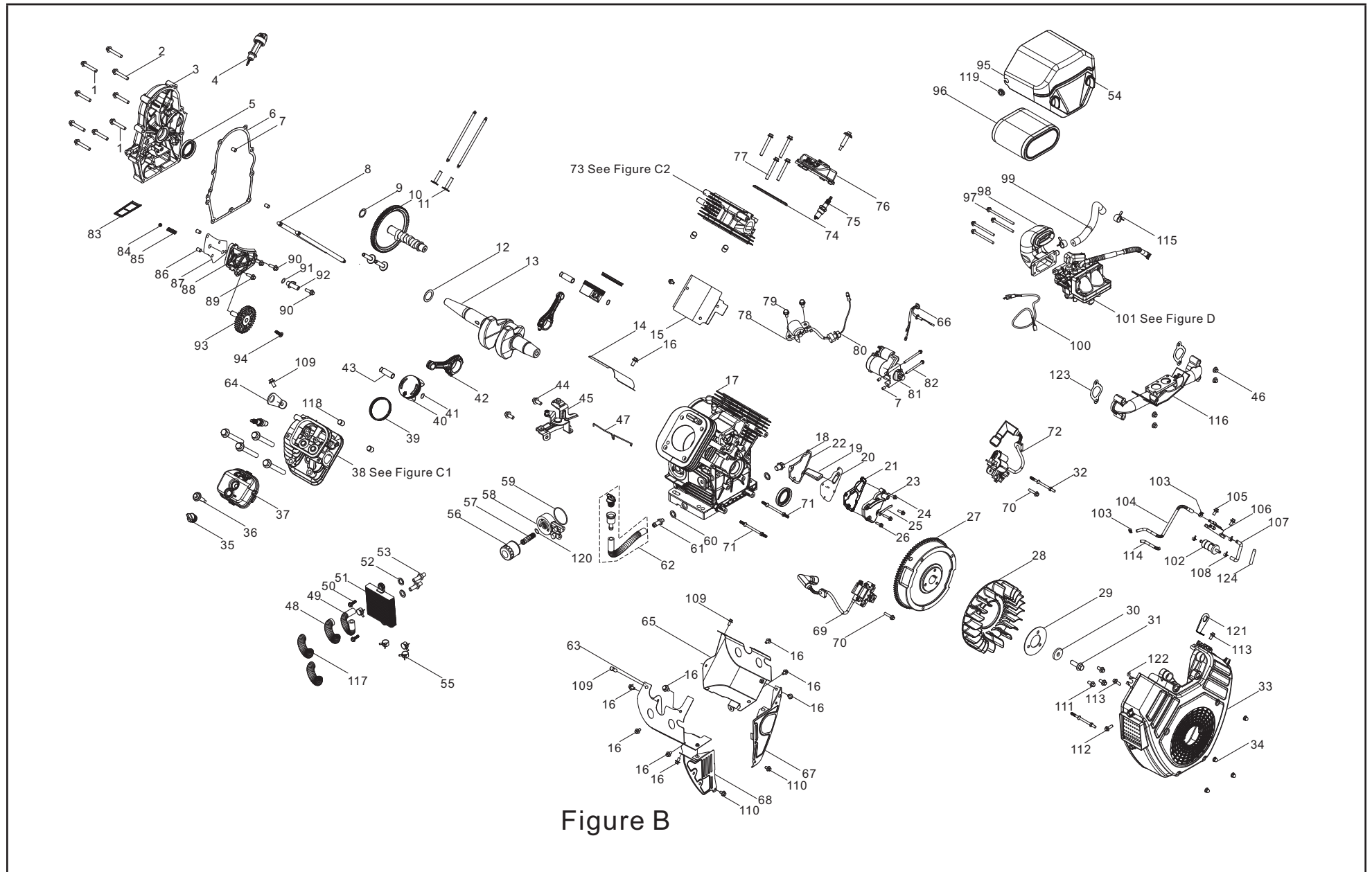


Figure B

**ENGINE PARTS LIST**

#	Part Number	Description	Qty.
1	90001-000071	Hex Flange Bolt, M8 x 55, White Zn	2
2	90001-000053	Hex Flange Bolt, M8 x 50, White Zn	7
3	11410-000002	Crankcase Cover	1
4	15010-000029	Oil Dipstick Assy	1
5	90682-000020	Oil Seal, Ø38 x Ø58 x 8	2
6	11001-000018	Crankcase Gasket	1
7	90502-000006	Pin, 10 x 14	4
8	14070-000011	Valve Rod, Ø6 x Ø7 x 151.8	4
9	14215-000001	Washer, Camshaft, Ø16 x Ø25 x 0.6	1
10	14200-000031	Camshaft Assy	1
11	14081-000008	Valve Lifter, Ø20 x Ø7 x 31.1	4
12	13306-000001	Washer, Thrust, Ø40.5 x Ø54 x 1	1
13	13300-000044	Crankshaft Assy	1
14	19304-000013	Cylinder Body Shroud, White Zn	1
15	19305-000005	Shroud 2, Cylinder Body, White Zn	1
16	90001-000017	Hex Flange Bolt, M6 x 10, Blk Zn	10
17	11310-000039	Crankcase Assy	1
18	11007-000004	Drain Plug Bolt, M12 x 1.5 x 18, Blk Zn	1
19	11331-000003	Strainer, Breath Groove, 47 x 40 x 6.5	1
20	11320-000008	Stop Engine Piece Assy	1
21	11332-000010	Gasket 1, Breath Groove	1
22	11332-000011	Gasket 2, Breath Groove	1
23	11333-000004	Plate, Breath Groove Cover	1
24	90007-000035	Hex Flange Bolt, M6 x 32, White Zn	2
25	54066-000005	Tension Disc	1
26	90007-000013	Hex Flange Bolt, M6 x 20, White Zn	2
27	13500-000003	Flywheel Assy.	1
28	19352-000024	Cooling Fan, Engine	1
29	13515-000003	Tray, Impeller Setting	1
30	90407-000003	Large Washer, Ø12.5 x Ø38 x 5	1

#	Part Number	Description	Qty.
31	13502-000002	Bolt, Flywheel, M12 x 1.25 x 34, White Zn	1
32	28001-000008	Double Head Support Bolt, M6 x 37/M6 x 15	2
33	19330-000004	Shroud Assy.	1
34	90314-000005	Hex Nuts, M6 x 17, Blk Zn	4
35	15031-000003	Plug Assy, Engine Oil	1
36	12030-000002	Bolt Assy, Cylinder Head Cover	2
37	12411-000007	Cover, Right Cylinder Head	1
38	96101-Z120410-0034	Left Cylinder Head Assy - See Figure C1	1
39	13200-000009	Piston Ring Assy	2
40	13111-000023	Piston, 1.2 x 1.2 x 2.5	2
41	13122-000009	Piston Pin Clip	4
42	13010-000018	Connecting Rod, Ø40 x Ø17 x 112	2
43	13121-000013	Piston Pin, Ø17 x Ø10 x 55.2	2
44	90007-000008	Hex Flange Bolt, M6 x 12, Blk Zn	2
45	16090-000001	Bracket, Choke	1
46	90305-000010	Hex Flange Nut, M8, White Zn	4
47	16123-000002	Choke Pull Rod	1
48	19111-000008	Hose, Cooling, Ø9.5 x Ø17 x 238	1
49	19111-000009	Hose, Cooling, Ø9.5 x Ø17 x 280	1
50	90007-000036	Hex Flange Bolt, M6 x 22, Blk Zn	2
51	19100-000003	Radiator Assy.	1
52	90408-000019	Flat Washer, 10 x 15.8 x 1.5	2
53	19112-000001	Adapter, Cooling Hose, White Zn	2
54	35643-000022	Knob	2
55	90685-000019	Clamp, Ø18 x 0.8 x 10, Dacromet	4
56	15220-000002	Filter Assy, Oil, Ø68	1
57	15208-000002	Tube, Oil Filter Installation	1
58	15229-000001	Oil Filter Holder	1
59	90692-000002	O-Type Rubber Seal Ring 1	1
60	90412-000003	Washer, 12 x 21 x 2	2

#	Part Number	Description	Qty.
61	90689-000001	Joint, Fuel Tube, M12 - 1.5	1
62	11011-000009	Tube, Oil Drain, Ø9.5 x Ø17 x 330	1
63	19340-000014	Shield, Lower	1
64	12008-000001	Lug	1
65	19307-000001	Lower Right Shield	1
66	30002-000008	Diode, Synchronous Shutdown	1
67	19309-000002	Body Right Shield, White Zn	1
68	19308-000002	Body Left Shield	1
69	30400-000052	Ignition Coil, Left Cylinder	1
70	90007-000010	Hex Flange Bolt, M6 x 30, White Zn	2
71	28001-000007	Double Head Support Bolt, M6 x 19/M6 x 17, White Zn	2
72	30400-000053	Ignition Coil, Right Cylinder	1
73	96101-Z120410-0035	Right Cylinder Head Assy - See Figure C2	1
74	12004-000023	Cylinder Head Cover Gasket	2
75	30010-000009	Spark Plug, F5RTC, M14 x 1.25 x 81	2
76	12411-000006	Cover, Cylinder Head	1
77	12003-000006	Cylinder Head Bolt, M10 x 1.25 x 85, White Zn	8
78	37060-000019	Engine oil Sensor	1
79	90007-000011	Hex Flange Bolt, M6 x 16, White Zn	2
80	90305-000015	Hex Flange Nut, M10, Blk Zn	1
81	30300-000010	Starting Motor Assy	1
82	90001-000072	Hex Flange Bolt, M8 x 110, White Zn	2
83	15211-000002	Strainer, Oil	1
84	90543-000002	Ball, Steel	1
85	15161-000002	Spring, Pressure Relief Valve	1
86	90502-000001	Pin, 8 x 10	2
87	15142-000001	Oil Pump Seal Gasket	1
88	15141-000002	Cover, Oil Pump	1
89	90007-000037	Hex Flange Bolt, M6 x 28, White Zn	2
90	90007-000016	Hex Flange Bolt, M6 x 25, White Zn	2
91	90692-000003	O-Type Rubber Seal Ring 2	1

#	Part Number	Description	Qty.
92	15111-000001	Tube, Suction Oil	1
93	15100-000003	Pump Assy, Oil	1
94	90104-000006	Screw, M5 x 20, White Zn	1
95	17104-000005	Cover, Air Cleaner Case	1
96	17150-000007	Air Cleaner Element Assy	1
97	90001-000074	Hex Flange Bolt, M6 x 80, White Zn	4
98	12510-000007	Tube 1, Intake	1
99	17004-000031	Tube, Breather, Ø12.5 x Ø17 x 219	1
100	35665-000001	Line, Solenoid Valve Ac	1
101	96105-Z16100-0041	Carburetor Assy - See Figure D	1
102	16510-000001	Strainer, Fuel	1
103	90685-000007	Clamp, Ø9.5 x 0.8 x 8, Dacromet	2
104	11017-000001	Negative Pressure Tube, Ø6 x Ø10 x 235	1
105	90007-000012	Hex Flange Bolt, M6 x 16, Blk Zn	2
106	16300-000001	Pump Assy, Gasoline	1
107	90686-000071	Fuel Tube, Ø6 x Ø10 x 124.5	1
108	90685-000023	Clamp, Ø10 x 0.8 x 8, Dacromet	3
109	90001-000041	Hex Flange Bolt, M8 x 16, Blk Zn	4
110	90001-000015	Hex Flange Bolt, M6 x 10, White Zn	2
111	90001-000040	Hex Flange Bolt, M8 x 16, White Zn	3
112	90013-000001	Bolt, Hex Flange Shoulder, M6 x 16.8, Blk Zn	1
113	90013-000002	Bolt, Hex Flange Shoulder, M8 x 20, Blk Zn	2
114	30431-000038	Rubber Sleeve, Ø13 x Ø11.5 x 120	1
115	90685-000016	Clamp, Ø17 x 1.4	2
116	12510-000008	Tube 2, Intake	1
117	30431-000024	Rubber Sleeve, Ø19.5 x Ø18 x 165	2
118	90502-000010	Pin, 12 x 16	4
119	16302-000001	Sleeve, Gasoline Pump Rubber	1
120	90681-000018	Seal Ring, Ø20 x Ø2	1

#	Part Number	Description	Qty.
121	12008-000002	Lug, White Zn	1
122	90408-000019	Flat Washer - Grade A, 10 x 15.8 x 1.5	1
123	17002-000009	Gasket, Intake Tube 2	4
124	30431-000029	Rubber Sleeve,, Ø11.5 x Ø13 x 100	1

# CYLINDER HEAD 1 PARTS DIAGRAM

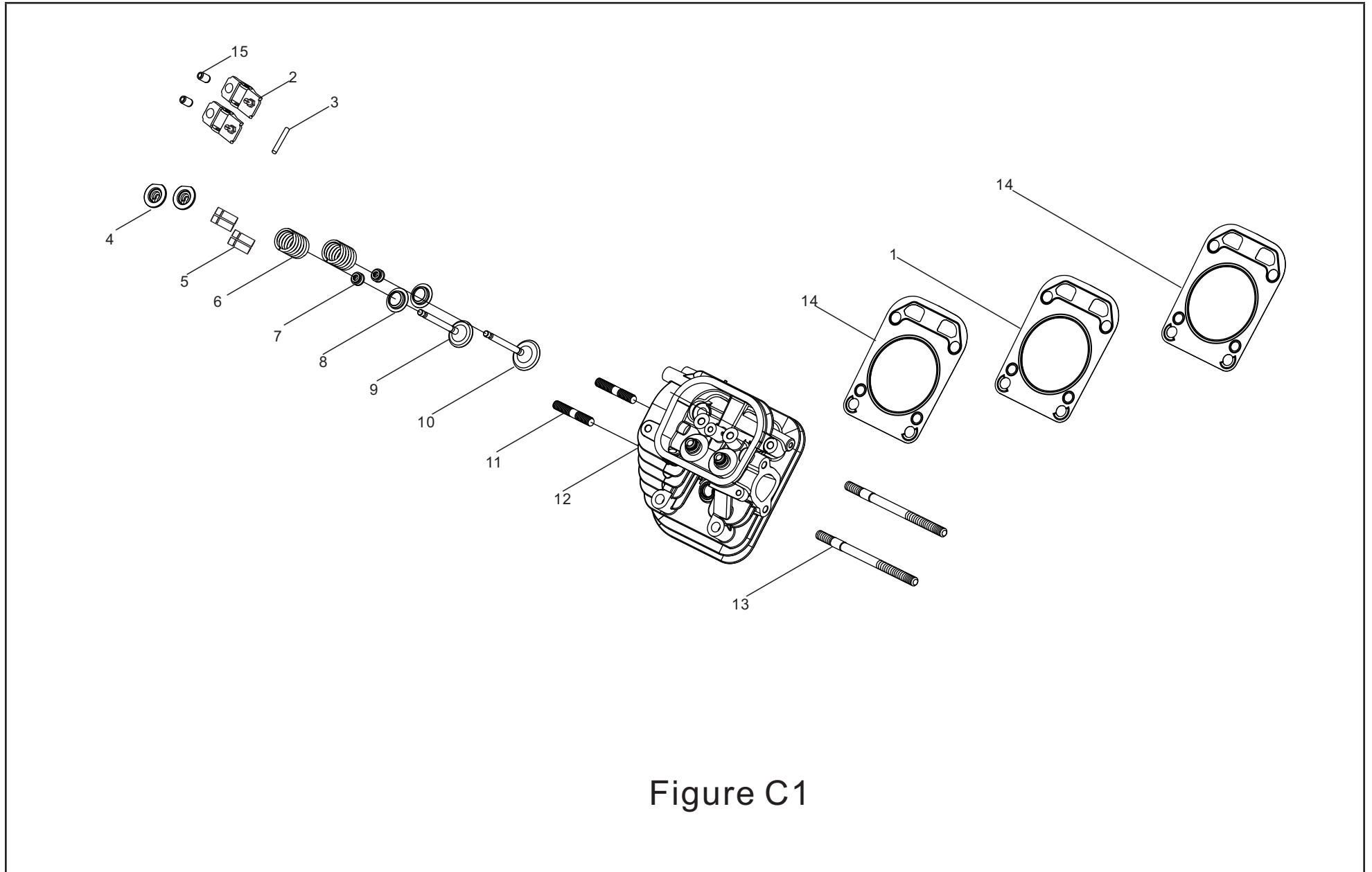


Figure C1

**CYLINDER HEAD 1 PARTS LIST**

#	Part Number	Description	Qty.
1	12134-000001	Middle Gasket, Cylinder Head	1
2	14310-000014	Rocker Assy, Valve	2
3	14330-000003	Shaft, Valve Rocker	1
4	12112-000005	Seat, Valve Spring	2
5	12109-000006	Clamp, Valve Lock	4
6	12103-000012	Spring, Valve	2
7	12101-000002	Guide, Seal	2
8	12105-000002	Retainer, Valve Spring	2
9	12121-000021	Valve, Exhaust	1
10	12111-000020	Valve, Intake	1
11	90203-000005	Stud Bolt, M8 x 34, Dacromet	2
12	12140-000039	Cylinder Head, Left	1
13	90204-000022	Stud Bolt, M8 x 45, White Zn	2
14	12131-000021	Gasket, Cylinder Head	2
15	14312-000002	Nut, Valve Lock	2

## CYLINDER HEAD 2 PARTS DIAGRAM

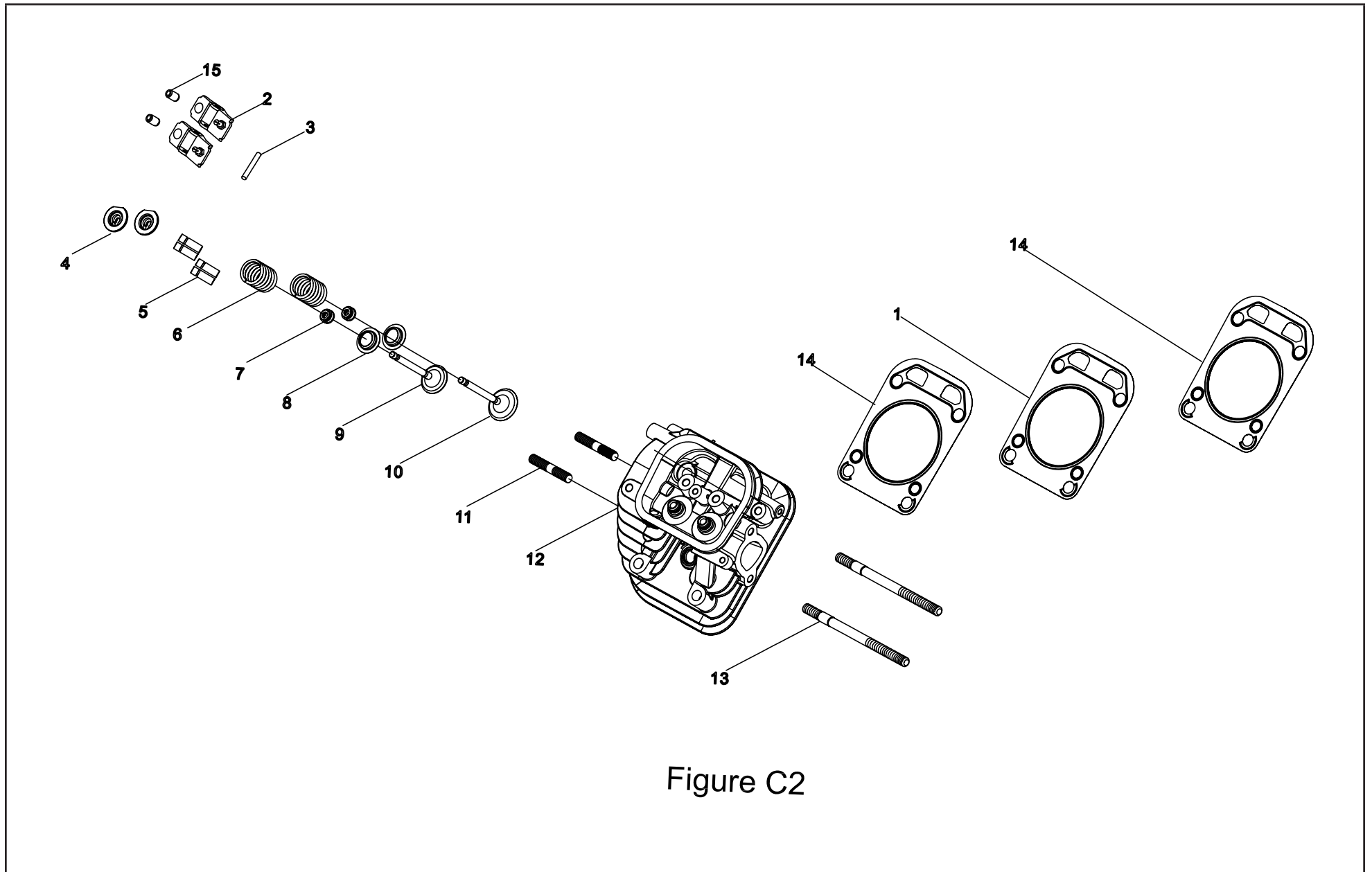


Figure C2

**CYLINDER HEAD 2 PARTS LIST**

#	Part Number	Description	Qty.
1	12134-000001	Middle Gasket, Cylinder Head	1
2	14310-000014	Rocker Assy, Valve	2
3	14330-000003	Shaft, Valve Rocker	1
4	12112-000005	Seat, Valve Spring	2
5	12109-000006	Clamp, Valve Lock	4
6	12103-000012	Spring, Valve	2
7	12101-000002	Guide, Seal	2
8	12105-000002	Retainer, Valve Spring	2
9	12121-000021	Valve, Exhaust	1
10	12111-000020	Valve, Intake	1
11	90203-000005	Stud Bolt, M8 x 34, Dacromet	2
12	14312-000002	Cylinder Head, Right	1
13	12210-000002	Stud Bolt, M8 x 45, White Zn	2
14	12131-000021	Gasket, Cylinder Head	2
15	14312-000002	Nut, Valve Lock	2

# CARBURETOR PARTS DIAGRAM

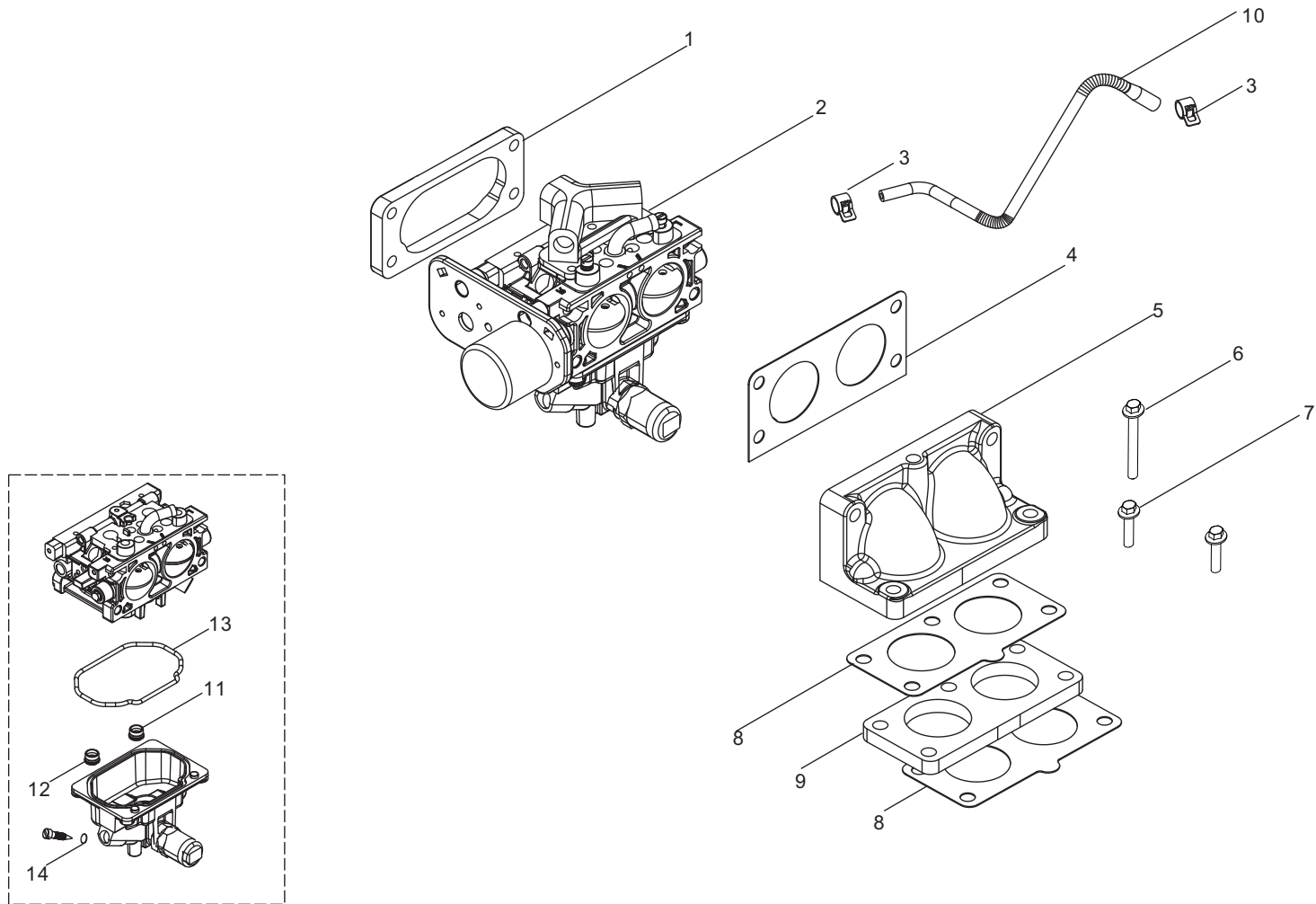


Figure D

**CARBURETOR PARTS LIST**

#	Part Number	Description	Qty.
1	17001-000013	Air Cleaner Seal Gasket	1
2	16100-000091	Carburetor Assy.	1
3	90685-000007	Clamp, Ø9.5 x 0.8 x 8, Dacromet	2
4	16001-000010	Carburetor Seal Gasket 1	1
5	12051-000004	Joint, Intake Tube	1
6	90007-000020	Hex Flange Bolt, M6 x 65, White Zn	1
7	90007-000017	Hex Flange Bolt, M6 x 30, White Zn	2
8	16001-000011	Carburetor Seal Gasket 2	2
9	16002-000007	Gasket, Carburetor Insulator	1
10	90686-000072	Tube, Ø6 x Ø10 x 200	1
11	16161-000112	Main Jet(113#), Standard	1
	16161-000113	Main Jet(110#), Altitude 3000-6000 Feet	/
	16161-000108	Main Jet(107#), Altitude 6000-8000 Feet	/
12	16161-000112	Main Jet(113#), Standard	1
	16161-000113	Main Jet(110#), Altitude 3000-6000 Feet	/
	16161-000108	Main Jet(107#), Altitude 6000-8000 Feet	/
13	16112-000015	Gasket, Float Chamber	1
14	90692-000004	Rubber Seal Ring	1

# ALTERNATOR PARTS DIAGRAM

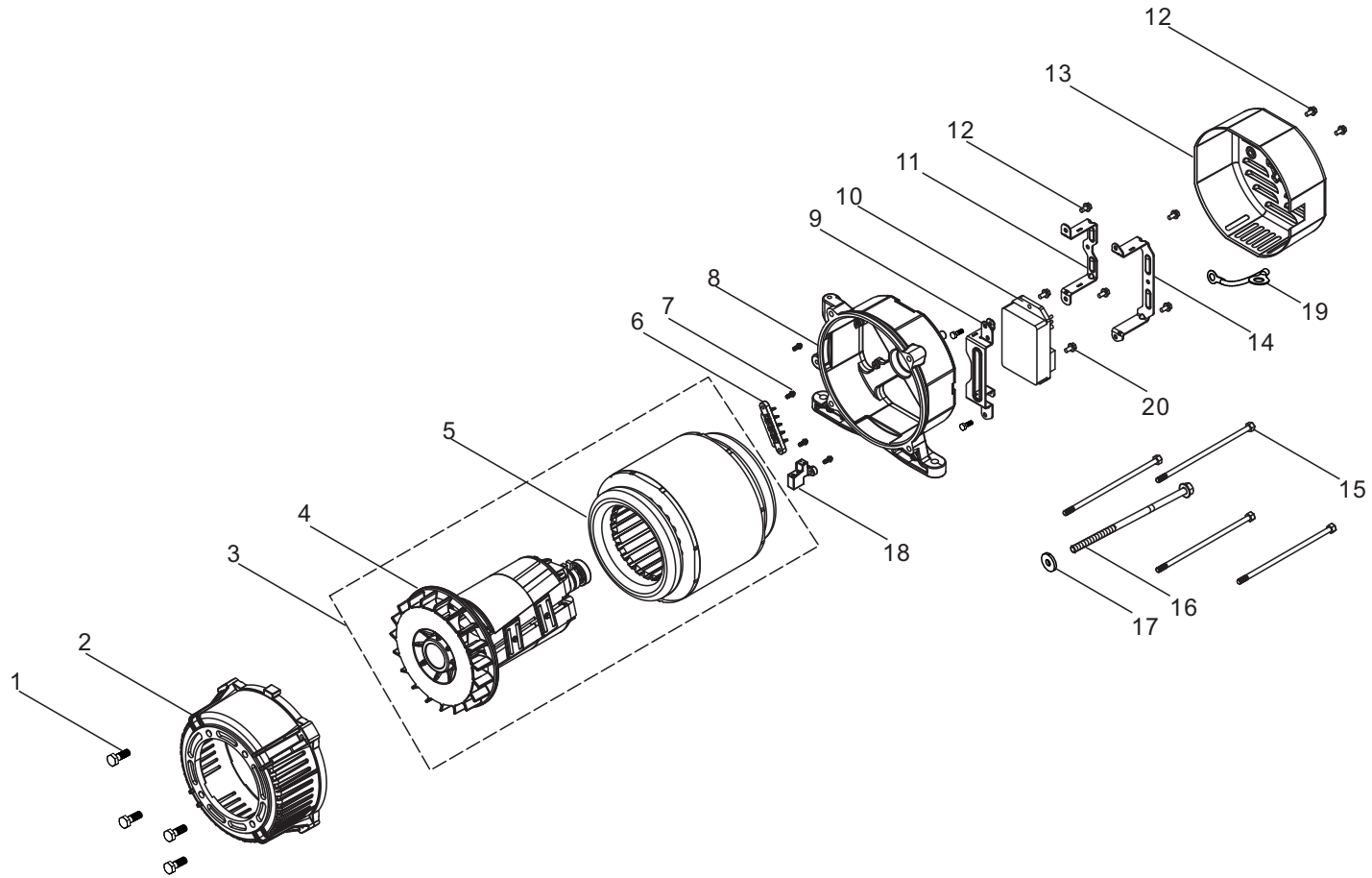


Figure E

**ALTERNATOR PARTS LIST**

#	Part Number	Description	Qty.
1	90001-000073	Hex Flange Bolt, 3/8-16UNC-2B-25,White Zn	4
2	30031-000004	Cover, Alternator, Ø230	1
3	31300-000041	Alternator Assy, AL, D230 x 160	1
4	31330-000019	Rotor, AL, D230 x 160	1
5	31310-000032	Stator, AL, D230 x 160	1
6	31303-000009	Terminal Block	1
7	90001-000007	Hex Flange Bolt, M5 x 16, White Zn	4
8	30021-000008	Bracket, Motor, Ø230	1
9	30049-000011	Fixed Support, AVR	1
10	30060-000029	AVR	1
11	30049-000013	Voltage Regulator Fixed Support	1
12	90001-000019	Hex Flange Bolt, M6 x 12, Blk Zn	8
13	30022-000013	Cover, End Housing	1
14	30049-000012	Voltage Regulator Fixed Support	1
15	30048-000009	Bolt M8 x 1.25 x 205, Stator	4
16	30049-000010	Bolt M10 x 1.25 x 293, Rotor	1
17	90408-000011	Flat Washer, 10.4 x 30 x 4, White Zn	1
18	31320-000008	Carbon Brush Assy	1
19	30009-000027	Grounding Wire	1
20	90001-000023	Hex Flange Bolt, M6 x 16, Blk Zn	2

# FUEL TANK PARTS DIAGRAM

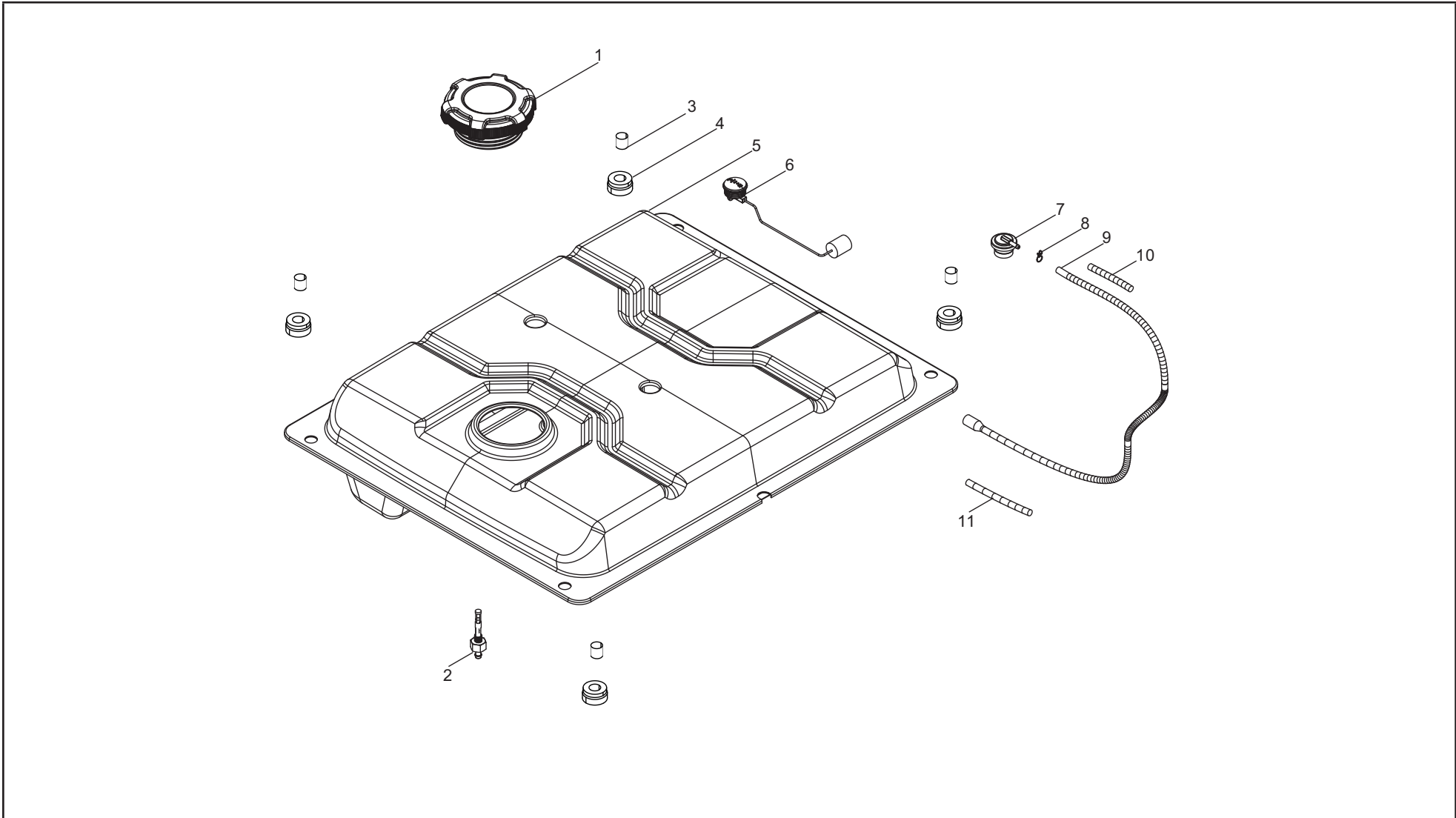


Figure F

**FUEL TANK PARTS LIST**

#	Part Number	Description	Qty.
1	16730-000024	Fuel Tank Cap	1
2	16680-000006	Fuel Tank Outlet Assy, M16 x 1.5 x 78.5	1
3	90683-000001	Bushing	4
4	16601-000001	Vibration Mount, Fuel Tank, 12.5 x Ø16	4
5	16620-000059	Fuel Tank, 41.5L	1
6	37200-000021	Fuel Gauge	1
7	15150-000003	Anti-Slosh Valve	1
8	90740-000005	Clip, Ø9	1
9	16804-000033	Connection Tube, Ø4.5 x Ø8.5 x 900	1
10	30431-000025	Rubber Sleeve,, Ø9.5 x Ø11 x 125	1
11	30431-000037	Rubber Sleeve,, Ø9.5 x Ø11 x 210	1

# CONTROL PANEL PARTS DIAGRAM

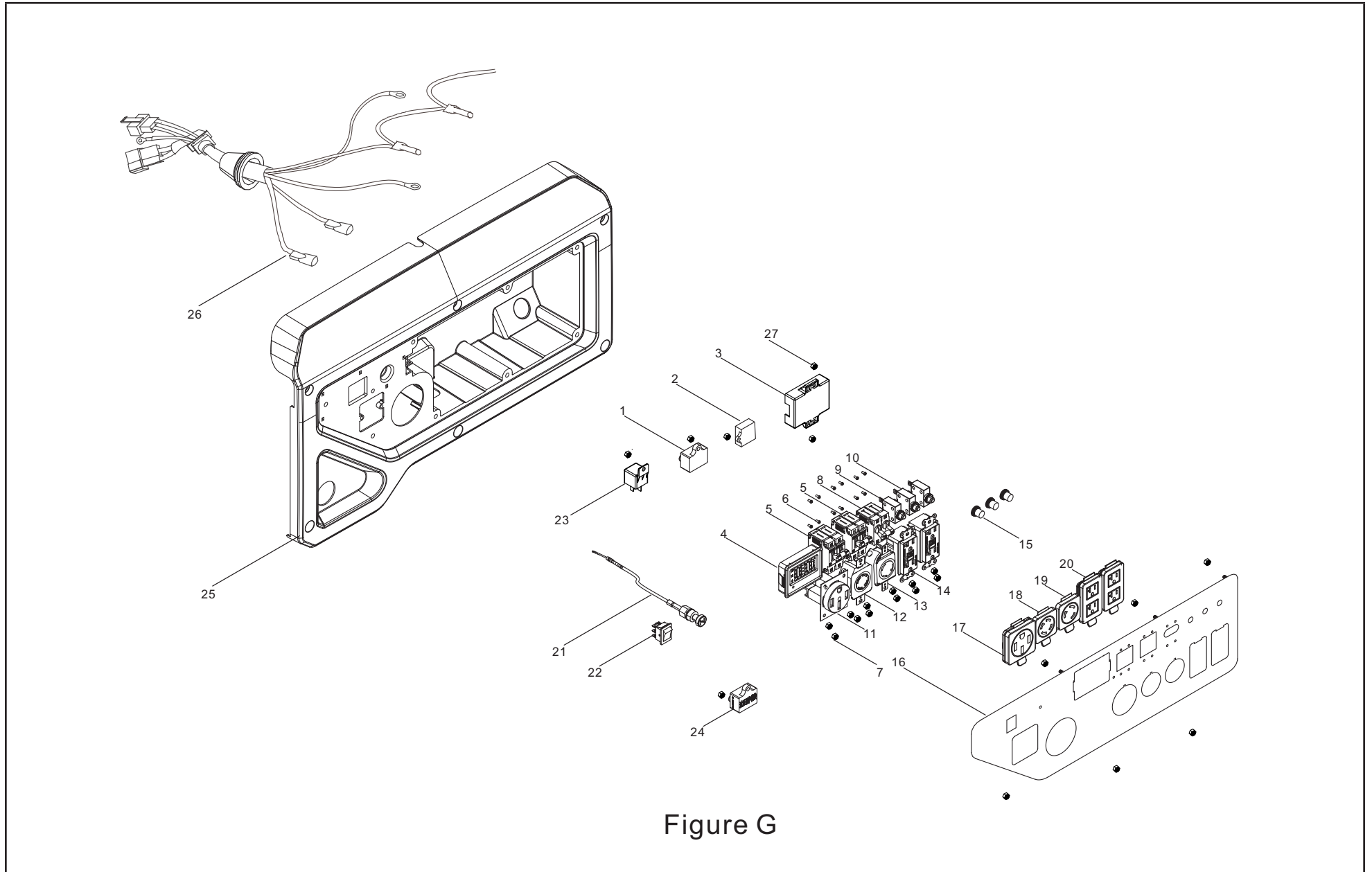


Figure G

**CONTROL PANEL PARTS LIST**

#	Part Number	Description	Qty.
1	30007-00004	Charging Module, EC1605	1
2	30008-000013	Control Module, EV1004	1
3	30008-000009	Module, Electronic Governor	1
4	35632-000027	Intelligauge, INT2BOF	1
5	35627-000013	56Amp Circuit Breaker, 2P flip, 250V	2
6	90103-000017	Screw, M3 x 6, Blk Zn	12
7	90305-000002	Hex Flange Nut, M4, White Zn	22
8	35627-000001	30Amp Circuit Breaker, 2P flip, 250V	1
9	31234-000007	30Amp Circuit Breaker, Push Button, 125/250V	1
10	31234-000003	20Amp Circuit Breaker, Push Button, 250V	2
11	35614-000012	14-50R Receptacle, 50A, 125V/250V	1
12	35614-000004	L14-30 Receptacle, 30A, 125V/250V	1
13	35614-000038	L5-30R Receptacle,30A,125V	1
14	35614-000018	5-20R GFCI Receptacle, 20A, 125V	2
15	35654-000005	Cover, Push Button	3
16	35650-000073	Control Panel	1
17	35654-000012	14-50R Receptacle, Cover	1
18	35654-000010	L14-30 Receptacle, Cover	1
19	35654-000009	L5-30R, Cover, Push Button	1
20	35654-000013	5-20R GFCI Receptacle, Cover	2
21	16080-000013	Dragline Assy, Choke	1
22	35160-000011	Switch Assy, Engine	1
23	35697-000001	Transfer Relay	1
24	30008-000014	Control Module, OV0502-L	1
25	35680-000038	Control Panel Housing	1
26	35660-000084	Wiring Harness, Control Panel	1
27	90305-000003	Hex Flange Nut, M5, White Zn	2

# FRAME ASSEMBLY PARTS DIAGRAM

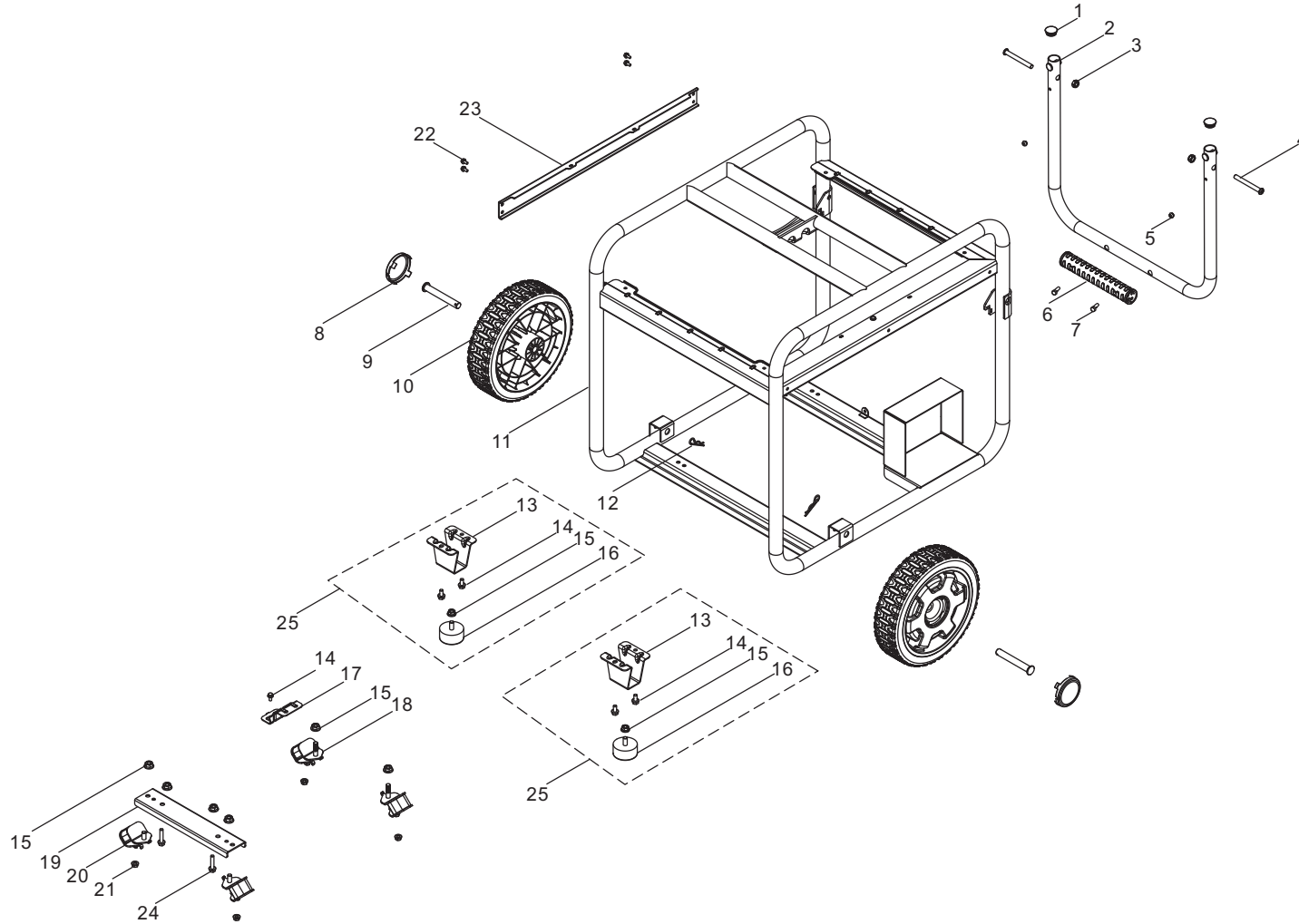


Figure H

**FRAME ASSEMBLY PARTS LIST**

#	Part Number	Description	Qty.
1	90722-000028	Plug, End	2
2	54110-000023	Handle, 583 x 493 x 36	1
3	90325-000001	Hex Nut, M10, Blk Zn	2
4	90115-000003	Socket Head Screw, M10 x 1.25 x 95, Blk Zn	2
5	90722-000006	Damping Pad, Handle	2
6	54101-000012	Handle Sheath, 39 x 233	1
7	90102-000010	Socket Head Screw, M4 x 16, Blk Zn	2
8	44001-000006	Cover, Hub Decorated	2
9	44020-000012	Roll Pin, Wheel, L=116	2
10	44110-000014	Wheel, Ø304 x 76	2
11	51100-000082	Frame, 795 x 630 x 700	1
12	90501-000004	Pin, Blk Zn, Ø3 x 65	2
13	51016-000015	Support Leg	2
14	90001-000041	Hex Flange Bolt, M8 x 16, Blk Zn	5
15	90306-000005	Hex Flange Nut, M10, White Zn	8
16	51014-000019	Vibration Mount, Support Leg	2
17	24329-000006	Block 1	1
18	51005-000017	Vibration Mount, Frame, M8 x 13+M10 x 37.5	2
19	51002-000020	Bottom Plate, Engine	1
20	51005-000016	Vibration Mount, Frame, M8 x 13+M10 x 20	2
21	90305-000011	Hex Flange Nut, M8, Blk Zn	4
22	90007-000008	Hex Flange Bolt, M6 x 12, Blk Zn	4
23	51171-000001	Side Crosspiece, 750mm	1
24	90002-000003	Hex Flange Bolt, M10 x 45, White Zn	2
25	96120-Y00000-0002	Vibration Mount & Support Leg	2

# WIRING DIAGRAM

