

Designed, engineered, and manufactured in our facility located in Le Center, Minnesota, equipped with modern engineering, fabrication and assembly capabilities.

Rugged Design

Engineered and built tough with powder coat paint galvanealed steel.

Full Load Tested

Every generator is 100% load tested in-house.

Vanguard Industrial Engine

Premium-grade, EFI, Vanguard engines are application-engineered to power equipment that works for a living.



| VOLTAGE | POWER FACTOR | STARTING WATTS | STARTING AMPS | RUNNING WATTS | RUNNING AMPS @ 120 | RUNNING AMPS |
|-----------------------------|--------------|----------------|---------------|---------------|--------------------|--------------|
| 120/240 1-PH | 1.0 | 25,000 | 104 | 20,000 | 166 | 83 |
| 120/240 1-PH ⁽¹⁾ | 1.0 | 25,000 | 104 | 22,000 | 183 | 92 |
| 120/208 3-PH | 0.8 | 25,000 | 86 | 20,000 | - | 69 |
| 120/240 3-PH | 0.8 | 25,000 | 75 | 20,000 | - | 60 |
| 277/480 3-PH | 0.8 | 25,000 | 38 | 20,000 | - | 30 |

| | |
|---------------------------|----------|
| MOTOR STARTING (CODE G) | 6.5 HP |
| DBA @ 7 METERS FULL LOAD | 82 |
| TOTAL HARMONIC DISTORTION | < 6% |
| MAIN CIRCUIT BREAKER | |
| 120/240 1-PH | 90A 240V |
| 120/208 3-PH | 80A 240V |
| 120/240 3-PH | 80A 240V |
| 277/480 3-PH | 35A 240V |

| | |
|------------------------------|--------------------|
| BONDED NEUTRAL | YES |
| ASSEMBLED IN | USA |
| EPA APPROVED | YES |
| CARB APPROVED | NO |
| TÜV CERTIFICATION CSA | YES |
| UNIT WARRANTY ⁽²⁾ | 2 YEARS COMMERCIAL |

ENGINE

| | |
|----------------------|-------------------|
| ENGINE BRAND | BRIGGS & STRATTON |
| ENGINE MODEL | VANGUARD 61G2 |
| ENGINE STARTER | ELECTRIC |
| ENGINE SPEED | 3600 RPM |
| ENGINE CYLINDERS | V-TWIN |
| ENGINE HP | 40 |
| FREQUENCY | 60 HZ |
| FREQUENCY REGULATION | +/- 3% |

| | |
|--------------------------------|------------------------------|
| IGNITION SYSTEM | COMPUTER CONTROLLED, BATTERY |
| LUBRICATION | FULL-PRESSURE |
| BORE/STROKE | 85.5 mm x 86.5 mm |
| DISPLACEMENT/TYPE | 993CC/ OHV |
| LOW OIL PROTECTION | STANDARD |
| RECOMMENDED OIL ⁽³⁾ | 5W-30 SAE |
| OIL CAPACITY | 2.5 QT |
| COMPRESSION RATIO | 8.5:1 |

FUEL

| | |
|------------------|------------|
| FUEL CONSUMPTION | |
| 100% | 3.5 GAL/HR |
| 75% | 2.6 GAL/HR |
| 50% | 2.5 GAL/HR |
| 25% | 1.6 GAL/HR |

GENERATOR END

| | |
|---------------------|---------------------------|
| GENERATOR END BRAND | MECC ALTE |
| GENERATOR END MODEL | ECP28 |
| LEAD | 12 |
| VOLTAGE REGULATION | AVR +/- 1% |
| TEMPERATURE RISE | 125/40°C |
| BRUSH | YES |
| SPEED | 3600 RPM |
| STATOR | 2/3 PITCH |
| WINDINGS | 100% COPPER |
| STATOR WINDING | DOUBLE LAYER CONCENTRIC |
| BEARINGS | SINGLE (MAINTENANCE FREE) |
| EFFICIENCY PEAK | 84% |
| INSULATION | CLASS H |
| INGRESS PROTECTION | IP23 |

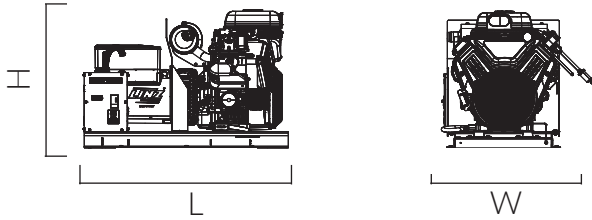
| | |
|---------------------|-----------------------|
| GENERATOR END BRAND | LINZ |
| GENERATOR END MODEL | E1C13M E/2 |
| LEAD | 4 |
| VOLTAGE REGULATION | CAPACITOR +/- 5% |
| TEMPERATURE RISE | 125/40°C |
| BRUSHLESS | YES |
| SPEED | 3600 |
| STATOR | 2/3 PITCH |
| WINDINGS | 100% COPPER |
| STATOR WINDING | SINGLE LAYER WITH AUX |
| BEARINGS | SINGLE |
| EFFICIENCY PEAK | 82.1% |
| INSULATION | CLASS H |
| INGRESS PROTECTION | IP21 |

DERATES

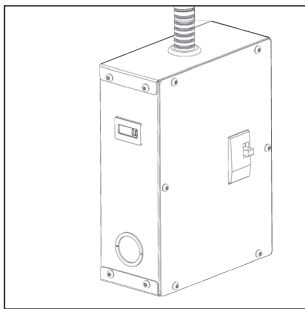
| | |
|-----------------|------------------|
| ABOVE SEA LEVEL | |
| 1,000 FT | 3.6% |
| ABOVE 77° | 1% FOR EACH 10°F |

SHIPPING

| | |
|---------------------------------|-------------------|
| SHIPPING DIMENSIONS (L x W x H) | 44" x 28" x 32.5" |
| SHIP WEIGHT | 515 LBS |
| FREIGHT CLASS | 70 |



PANEL



OPTIONAL ACCESSORIES

| | |
|--------------------------|----------------------|
| 15 GALLON FUEL TANK | 19022-400 |
| FUEL TANK WALL MOUNT KIT | 19022-401 |
| MAINTENANCE KIT | 16200-011 |
| BATTERY | BCI GROUP 26 500 CCA |

NOTES:

- (1) This 1-PH unit is equipped with a Linz, capacitor regulated gen end.
 - (2) For more warranty information, see operator's manual.
 - (3) The recommended oil is for normal applications.
- See operator's manual for more oil recommendations.
Specifications are subject to change without notice.



Sales: 507-357-6821
Service: 507-357-6831

